



Chipsmall Limited consists of a professional team with an average of over 10 year of expertise in the distribution of electronic components. Based in Hongkong, we have already established firm and mutual-benefit business relationships with customers from,Europe,America and south Asia,supplying obsolete and hard-to-find components to meet their specific needs.

With the principle of “Quality Parts,Customers Priority,Honest Operation,and Considerate Service”,our business mainly focus on the distribution of electronic components. Line cards we deal with include Microchip,ALPS,ROHM,Xilinx,Pulse,ON,Everlight and Freescale. Main products comprise IC,Modules,Potentiometer,IC Socket,Relay,Connector.Our parts cover such applications as commercial,industrial, and automotives areas.

We are looking forward to setting up business relationship with you and hope to provide you with the best service and solution. Let us make a better world for our industry!



Contact us

Tel: +86-755-8981 8866 Fax: +86-755-8427 6832

Email & Skype: info@chipsmall.com Web: www.chipsmall.com

Address: A1208, Overseas Decoration Building, #122 Zhenhua RD., Futian, Shenzhen, China



CTST570

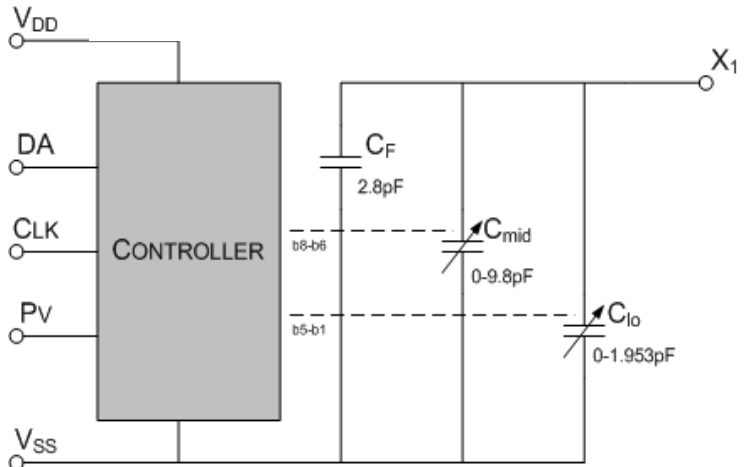
Programmable Capacitive Tuning IC

SON8

FEATURES

- Capacitive Tuning Range of 2.6pF to 14.55pF
- 0.063pF Minimum Step Size
- Reprogrammable Through Non-volatile EEPROM Storage
- May Be Placed in Parallel for Greater Capacitance Values
- Very Low Supply Current
- 2.5V to 5.0V Supply Voltage
- RoHS compliant Pb Free Packages

BLOCK DIAGRAM



DESCRIPTION

The CTST570 is a digitally programmed capacitor specifically designed to tune a crystal or SAW based oscillator to a desired center frequency. The desired capacitance value for production trimming is set by a serial data stream when placed into a programming mode. The CTST570 is designed to be a labor and cost saving device within the oscillator production process.

Using EEPROM technology, the capacitance can be re-tuned as needed during the production process by repeating the programming steps thereby increasing production yield.

The CTST570 is available in an SON8 package (1.5mm x 1.0mm) for very small form factor oscillators.

ENGINEERING NOTES

Capacitor Structure

The CTST570 capacitance value is composed of three parallel capacitor banks, C_F is a fixed capacitor value of 2.6pF and C_{MID} & C_{LO} are variable capacitors of differing ranges and resolutions as seen in Table 1. Capacitors composing C_{MID} and C_{LO} are set with a binary control word through an 11-bit shift register described in “Programming the CTST570” section. The values of each C_{LO} and C_{MID} stepping are detailed in the complete [Nominal Capacitance Binary Mapping](#) spreadsheet.

$$C_{TOTAL} = C_F + C_{MID} + C_{LO}$$

Table 1 – Capacitor Structure

Internal Capacitor	Min Value (pF)	Max Value (pF)	Step Size (pF)
C_F	2.6	2.6	n/a
C_{MID}	0	9.8	1.4
C_{LO}	0	1.953	0.063
Total	2.6	14.353	

Programing the CTST570

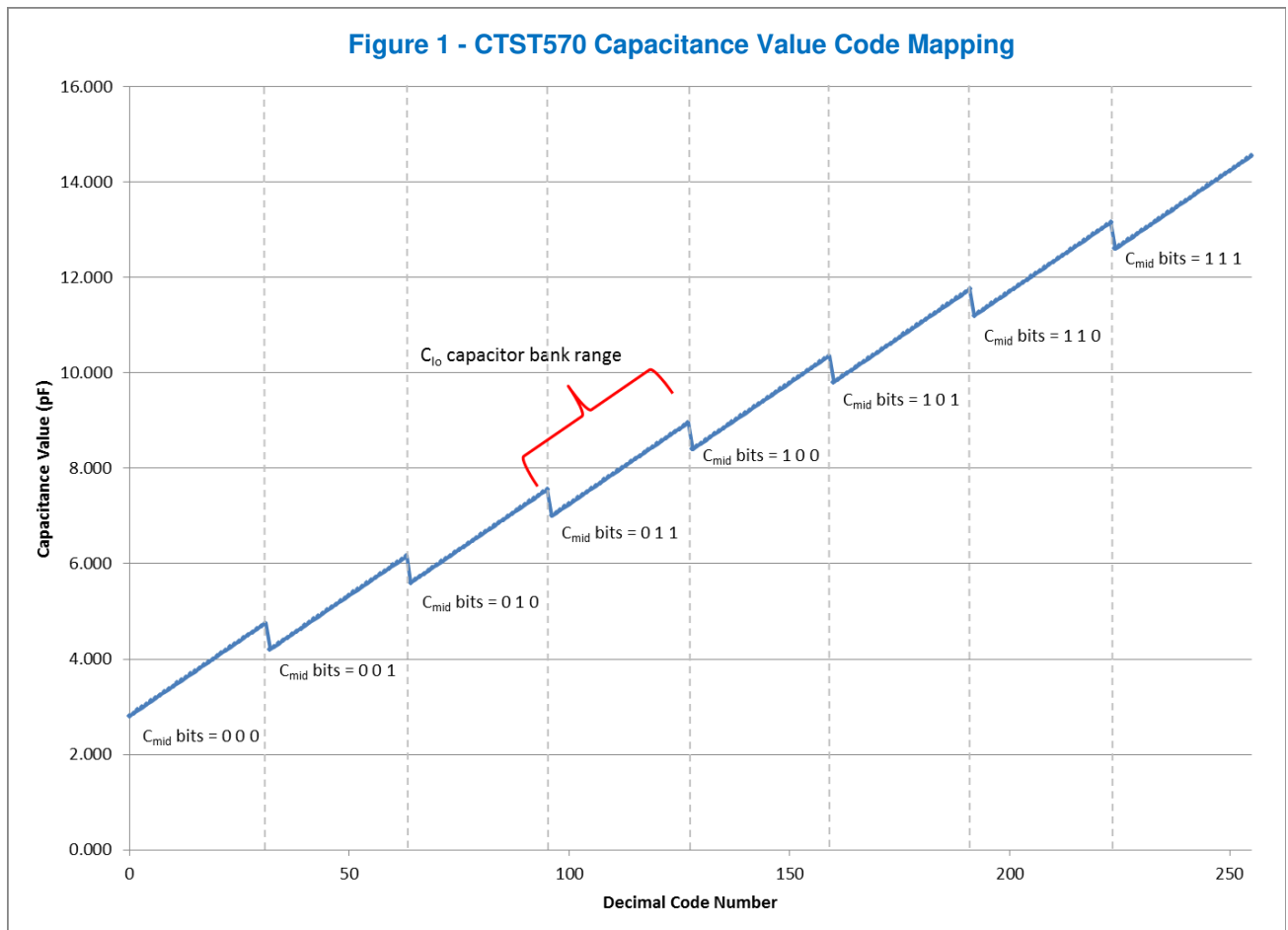
Control Word

The capacitance in the CTST570 is controlled by an 11-bit shift register with the data input bit definitions shown in Table 2. The control word data is inputted serially on the rising edge of the CLK signal with bit-0 first and bit-10 last.

Table 2 – CTST570 Control Word Definition

11-bit Control Word											
bit-10	bit-9	bit-8	bit-7	bit-6	bit-5	bit-4	bit-3	bit-2	bit-1	bit-0	
Not Used	Not Used	C _{MID}			C _{LO}						Not Used
		MSB	---	LSB	MSB	---	---	---	---	LSB	

The control word mapping is a binary word for each of C_{MID} and C_{LO} where higher number bits are more significant. Figure 1 shows the capacitance value mapping for the CTST570. The detailed [Nominal Capacitance Binary Mapping](#) can be located on the CTS website.



CTST570

Programmable Capacitive Tuning IC

SON8

CTST570 Functional Mode

The CTST570 is designed to be used in 2 functional modes, Programming and Operational.

In the *Programming mode*, the CTST570 is used by the manufacturer to set the capacitance value to control the desired center frequency of the oscillator. The programming mode uses either the shift registers or EEPROM (detailed later) and gives the manufacturer access to pins DA, CLK, and PV which allow the CTST570 to be programmed with an accompanying programming board (Figure 2). CTS can provide this board (CTS10EL89) along with software that works through all the programming steps/functions described in the next sections.

In the *Operational mode*, the EEPROM internal to the CTST570 has already been programmed with the desired factory settings. Pins DA, CLK, and PV are to be disconnected, thereby allowing the CTST570's internal pull-downs to place the pins at ground potential. In the operational mode, only 3 pins are necessary for hookup (Figure 3).

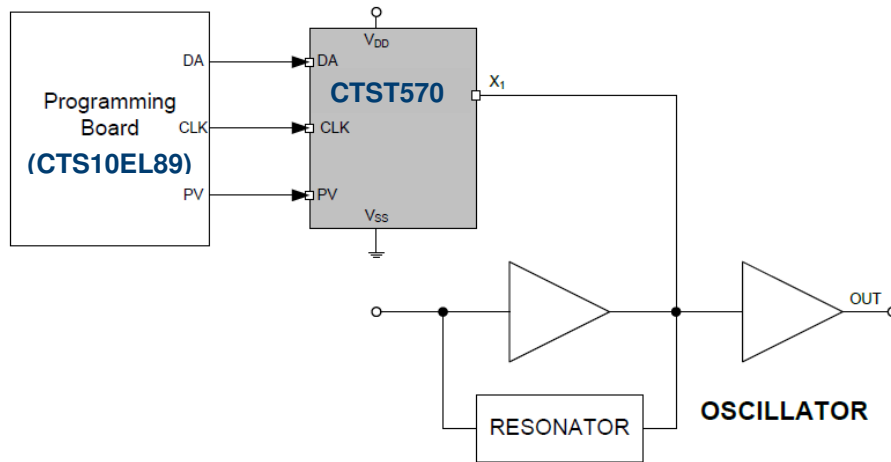


Figure 2 – CTST570 in Programming Mode

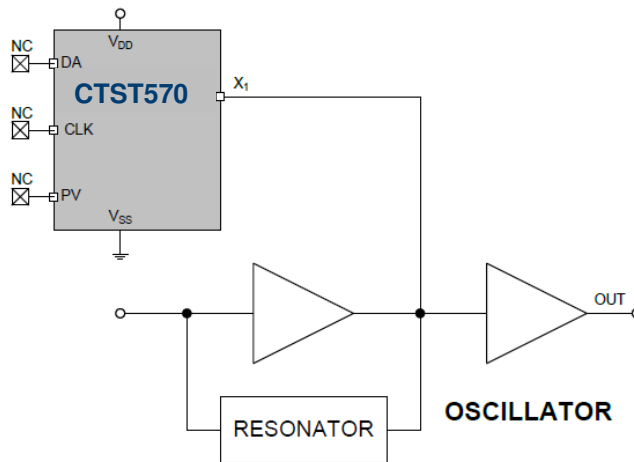


Figure 3 – CTST570 in Operational Mode

Programming Modes

The CTST570 has two capacitance setting modes from which bits are set and the matching capacitors are selected.

- **Reading directly from the shift register**
 - This is useful for testing the capacitance and subsequent oscillator frequency. This mode is active after the last bit is shifted in and when the CLK pin is left logic high. *For the shift register, capacitors are selected when bits are active HIGH.*

- **Reading from the value contained in the EEPROM**
 - Prevents customer adjustment and retains factory programming and is active when the CLK pin is at logic low or not connected. *For the EEPROM, capacitors are selected when bits are active LOW.*

Programming from the Shift Register

To initially determine the capacitance value for the desired center frequency of the oscillator one should set the capacitance of the CTST570 directly from the active shift register bits. To accomplish this, the CLK pin is left high after the last control word bit has been shifted in. Figure 5 shows the control word 11001100100 has been serially entered into the register. Note that bit-0 is the 1st bit to enter and bit-10 is the last. In the CTST570, bit-0, bit-9 and bit-10 do not affect the capacitance value but still must be included in the serial bit stream. For the shift register, capacitors are selected when bits are active HIGH.

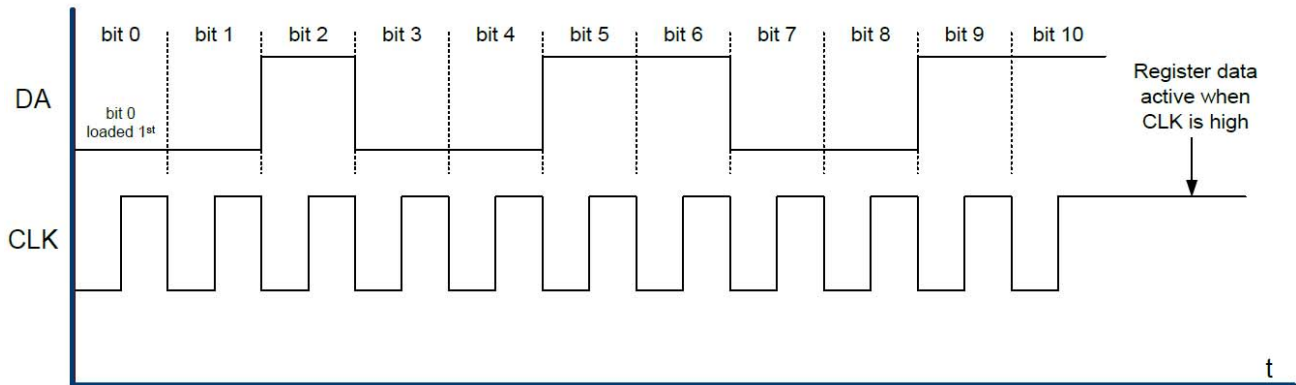


Figure 4 – Shift Register Programming

Writing Data to the EEPROM

Once the desired capacitance value has been determined, the digital control word can be written or re-written into the EEPROM. By storing the control word in the EEPROM, the customer is prevented from making adjustments from the factory set programming data. This is accomplished within the CTST570 with internal pull-downs on the DA, PV, and CLK pins. The detailed sequence for writing data to the EEPROM within the CTST570 is described in Table 4. Note that with EEPROM, capacitors are selected when bits are active LOW.

Table 3 – Data Writing Sequence for EEPROM

Step	Action
1	Determine the desired capacitor control word with the operational power supply voltage and desired oscillator conditions.
2	Set the V _{DD} supply voltage to +5.0V.
3	If EEPROM is not already erased, erase EEPROM (see “Erasing the EEPROM” section).
4	Read the current state of the EEPROM bits (see “Reading Back from the EEPROM” section).
5	Compare the desired control word to the stored EEPROM control word. Count the number of differences so as to prevent double/redundant writing.
6	One bit at a time, load the first desired control word bit (bit selection for EEPROM is active LOW).
7	Set the PV pin to +6V (≥5.6V, ≤6.1V) with the pulse and idle shown in timing diagram (Figure 7).
8	Progress through all necessary control word bits by repeating steps 5 & 6 until all bits are set to the desired control word.
9	Verify the correct EEPROM contents by reading back the individual bits.

For an example of writing bits into the EEPROM, suppose the desired capacitance is 3.43pF. The control word becomes ‘00000010100’ (Figure 5). Also suppose the EEPROM bits have been erased and therefore logic high (The CTST570 is initially shipped in this condition). Since bit-0 is the first bit to be loaded, the bit sequence becomes 0-0-1-0-1-0-0-0-0-0-0. However, as described before, selecting bits for the EEPROM are active LOW, which will invert the logical values in the sequence to 1-1-0-1-0-1-1-1-1-1-1 (Figure 6). Note the differences between the EEPROM bits and the converted control word. Since there are 2 differences, two write cycles are required as only 1 bit should be written at a time. Figure 7 shows the timing for bit-2 while Figure 8 shows the timing for bit-4.

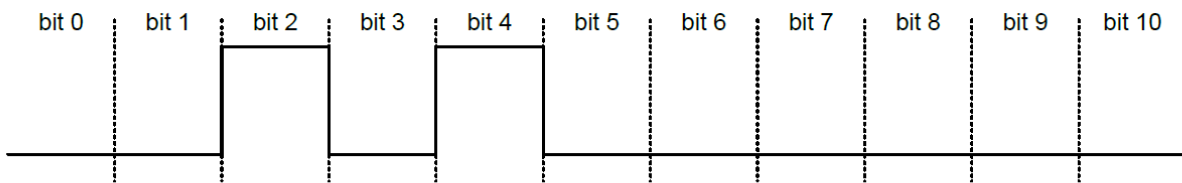


Figure 5 – Desired Control Word

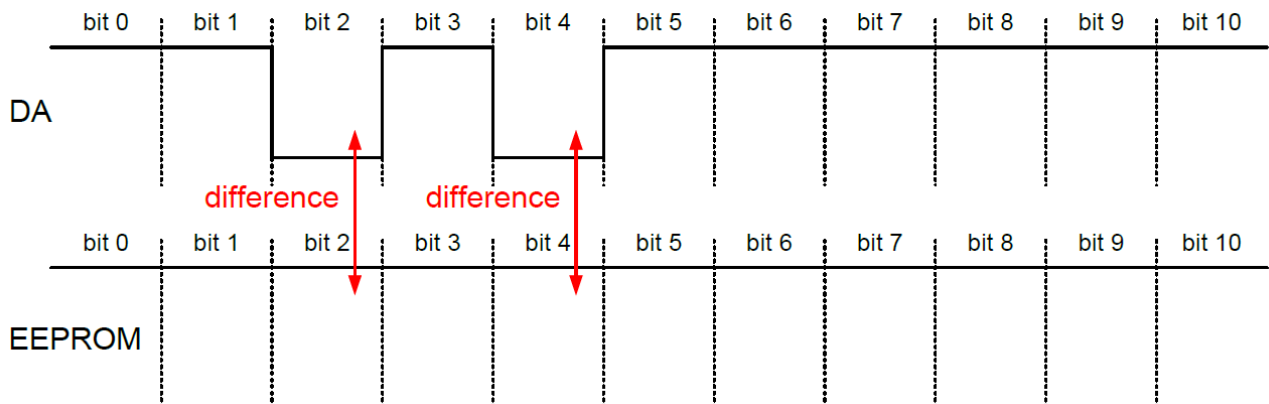


Figure 6 – Converted control word and differences from known EEPROM states

CTST570

Programmable Capacitive Tuning IC

SON8

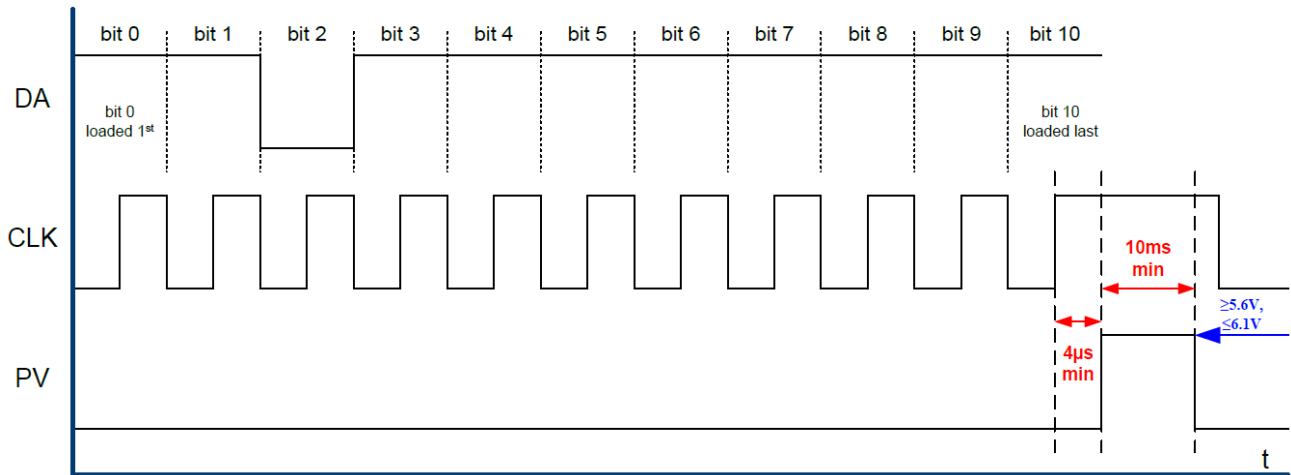


Figure 7 – First Programming Cycle to Program bit-2 into the EEPROM

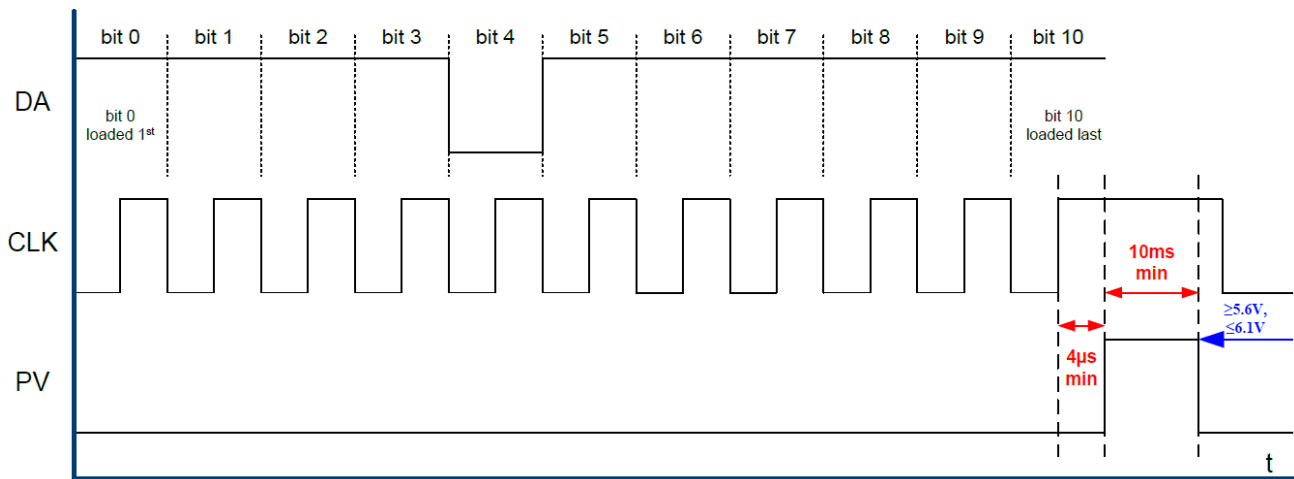


Figure 8 – Second Programming Cycle to Program bit-4 into the EEPROM

Reading Back from the EEPROM

During programming, the PV pin is used to program the necessary control bits into the EEPROM. However, it is also used to read the bits currently programmed into the EEPROM. When the PV pin is not used during programming, the CTST570 provides a weak pull-up and pull-down on the pin. This allows the EEPROM data to be shifted out to the PV pin and read after the CLK sequence is complete and when the DA & CLK pins are high (Figure 12). Each EEPROM bit is selected by setting the DA signal low (EEPROM selection is active low) during the CLK sequence. With an external 68kΩ resistor pull-up to V_{DD} on the PV pin, a low EEPROM bit produces $\leq 0.4 \cdot V_{DD}$ level while a high EEPROM bit produces a $\geq 0.6 \cdot V_{DD}$ level.

CTST570
Programmable Capacitive Tuning IC
SON8

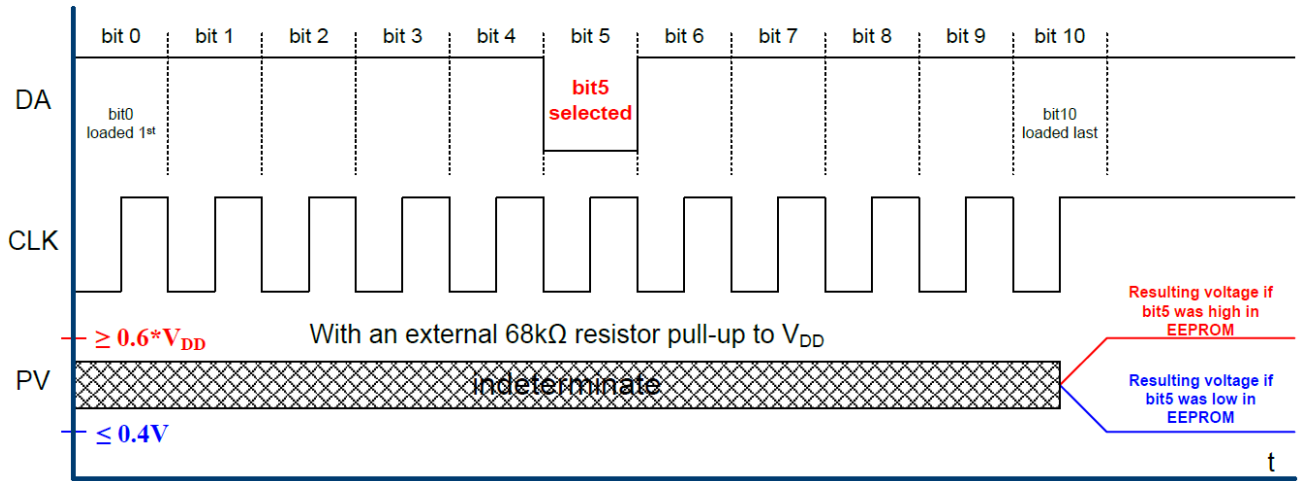


Figure 9 – Timing Diagram to Read bits from EEPROM

Erasing the EEPROM

The EEPROM can be erased by initiating a programming cycle with all DA bits set high, including bit-9 and bit-10. After the programming cycle, all the EEPROM bits are set low (logical high) except for the check bit (bit-0), which remains high.

Table 4 – Erase Sequence for EEPROM

Step	Action
1	Set the V_{DD} supply voltage to +5.0V.
2	Load the programming word bits all high.
3	Set the PV pin to +6V ($\geq 5.6V, \leq 6.1V$) with the pulse and idle shown in timing diagram (Figure 10).
4	Verify the correct EEPROM contents by reading back the individual bits.

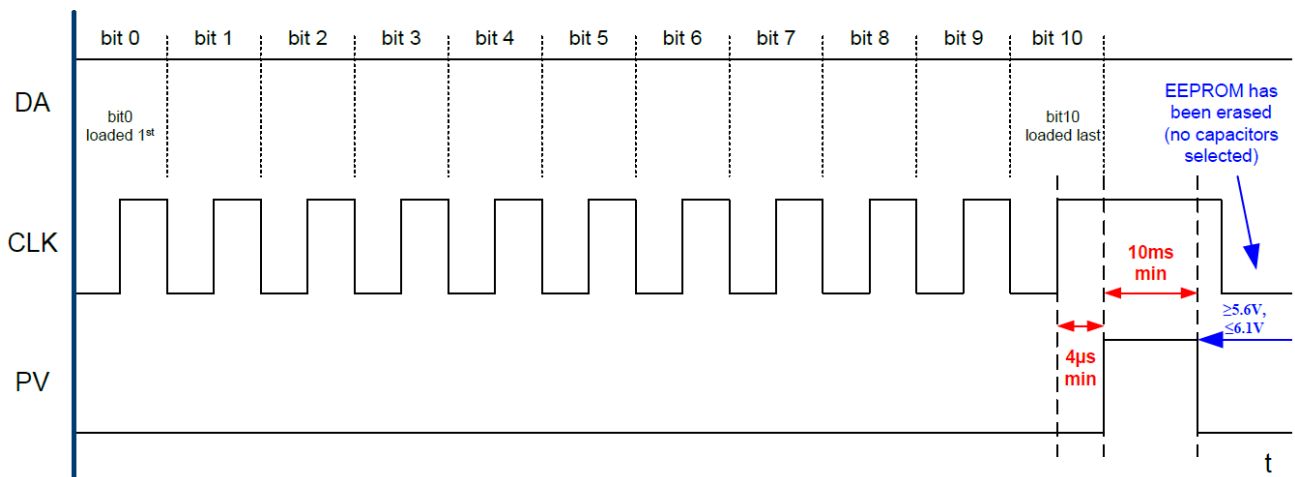


Figure 10 – Programming Sequence for Erasing the EEPROM

CTST570
Programmable Capacitive Tuning IC

SON8

Programming Voltage Limit Circuit

Some existing programming circuits use a current source connected to a 6.5 – 8.0V supply. That circuit produces an excessive voltage on the PV pin, which can damage the CTST570. A simple modification eliminates the issue and maintains full programming compatibility with existing programming methods. A 5.6V, ½ watt Zener, 1N5232B or equivalent, placed between the PV pin and ground will limit the voltage while still allowing the programming circuit to generate the current required for programming fuse link type parts.

ELECTRICAL SPECIFICATIONS
Table 5 – Absolute Maximum Ratings

Parameter	Description	Conditions	Min	Typ	Max	Unit
V _{DD}	Power Supply	Supply voltages between 4.0V-4.5V may not allow for reliable operation	2.375		3.63	V
			4.5		5.5	
V _{ABSOLUTE}	Power Supply		0		6.5	V
V _I ¹	Input Voltage		-0.5		V _{DD} + 0.5	V
T _A	Operating Temperature Range		-40		+125	°C
T _{STG}	Storage Temperature Range		-65		+150	°C
ESD _{HBM}	Human Body Model		2000			V
ESD _{MM}	Machine Model		200			V
ESD _{CDM}	Charged Device Model		2000			V

¹PV pin can exceed V_{DD} by 1.2V during the programming interval.

Table 6 – DC Characteristics
DC Characteristics (V_{DD} = 2.375V to 5.5V unless otherwise specified, T_A = -40 to +125°C)

Symbol	Characteristic	Conditions	Min	Typ	Max	Unit
C _{PV}	Capacitance variation across process		-15		+15	%
C _{VV}	Capacitance variation across output voltage	Voltage variation at X ₁ pin, 100MHz			±150	ppm/V
C _{TV}	Capacitance variation across temperature	100MHz – Zero Code		325		ppm/°C
		100MHz – Mid Code ¹		40		
		100MHz – Full Scale		130		
V _{IH}	Input HIGH Voltage	DA, CLK	0.8 * V _{DD}			V
V _{IL}	Pull-down Resistor	DA, CLK	0.2 * V _{DD}			V
R _{PD,D}	Pull-down Resistor	DA		55k		Ω
R _{PD,CLK}	Pull-down Resistor	CLK		75k		Ω
R _{PD,PV}	Pull-down Resistor	PV		170k		Ω
V _{OH}	Output HIGH Voltage	PV pin when reading EEPROM bits 68kΩ pull-up resistors to V _{DD}		0.6 * V _{DD}		V
V _{OL}	Output LOW Voltage			0.4 * V _{DD}		V
V _{PP}	Programming Voltage (V _{DD} = 5.0V)	PV pin when programming EEPROM	5.6	6.0	6.1	V
I _{DD}	Power Supply Current	Normal Operation, V _{DD} < 3.63V		10.0	35	μA
		Normal Operation, V _{DD} > 3.63V		20.0	70	
I _{DDPROG}	Power Supply Current	Programming Mode			20	μA
t _{MEM}	EEPROM Data Retention			20		yrs
t _{PROG}	Programming Temperature	Recommended		25		°C
Cy _{PROG}	Programming Cycle		10			k

¹bit-4, bit-7 High.

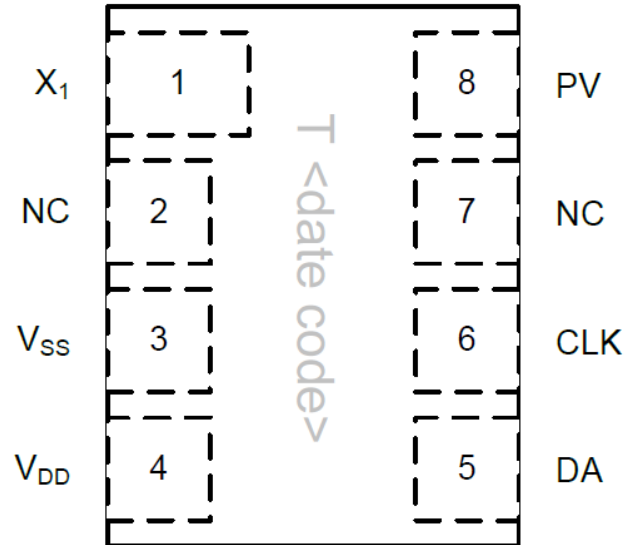
Table 8 – AC Characteristics
AC Characteristics ($V_{DD} = 2.375V$ to $5.5V$ unless otherwise specified, $T_A = -40$ to $+125^\circ C$)

Symbol	Characteristic	Conditions	Min	Typ	Max	Unit
C_F	Fixed Capacitance			2.6		pF
C_{MID}	Step Size			1.4		pF
	Max Value			9.8		
C_{LO}	Step Size			0.063		pF
	Max Value			1.953		
CLK	Max CLK Rate	50% duty cycle			100	kHz
T_{PROG}	Programming Time ($V_{DD} = 5.0V$, $PV = 6.0V$)			10.0		ms
Q	Q Value	20MHz – Full Scale	200	320		
		20MHz – Mid Scale	100	200		
		100MHz – Full Scale	50	80		
		100MHz – Mid Scale	50	70		
		200MHz – Full Scale	25	40		
		200MHz – Mid Scale	35	50		
		800MHz – Full Scale	8	12		
800MHz – Mid Scale	10	15				

Pin Description and Configuration

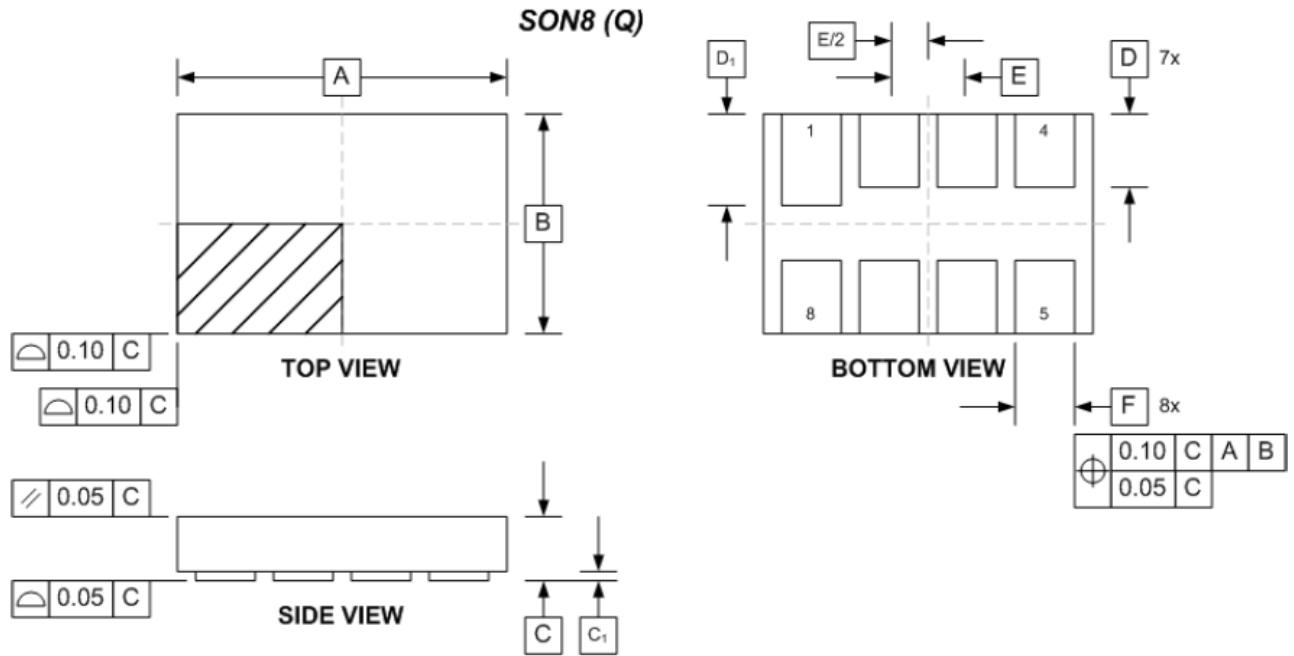
Pin Assignments

Pin	Name	Type	Function
1	X_1	Output	Capacitance
2	NC	n/a	Not connected
3	V_{SS}	Power	Negative Supply (GND)
4	V_{DD}	Power	Positive Supply
5	DA	Input	Programming Data Input
6	CLK	Input	Programming Clock Input
7	NC	n/a	Not connected
8	PV	Input	Programming Voltage

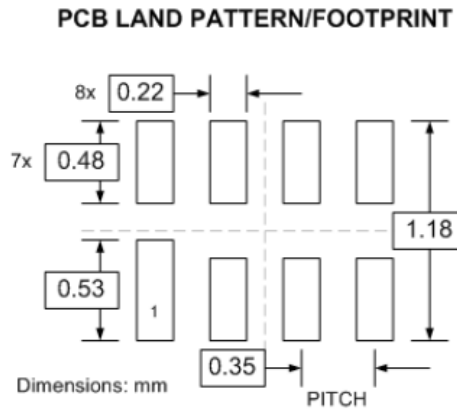


CTST570
Programmable Capacitive Tuning IC
SON8

PACKAGE DIMENSIONS



MILLIMETERS		
DIM	MIN	MAX
A	1.50 BSC	
B	1.00 BSC	
C	---	0.40
C_1	0.00	0.05
D	0.25	0.35
D_1	0.30	0.40
E	0.35 BSC	
F	0.15	0.25



PART ORDERING INFORMATION

Part Number	Package	Marking
CTST570QG	SON8	T YM