



Chipsmall Limited consists of a professional team with an average of over 10 year of expertise in the distribution of electronic components. Based in Hongkong, we have already established firm and mutual-benefit business relationships with customers from,Europe,America and south Asia,supplying obsolete and hard-to-find components to meet their specific needs.

With the principle of “Quality Parts,Customers Priority,Honest Operation,and Considerate Service”,our business mainly focus on the distribution of electronic components. Line cards we deal with include Microchip,ALPS,ROHM,Xilinx,Pulse,ON,Everlight and Freescale. Main products comprise IC,Modules,Potentiometer,IC Socket,Relay,Connector.Our parts cover such applications as commercial,industrial, and automotives areas.

We are looking forward to setting up business relationship with you and hope to provide you with the best service and solution. Let us make a better world for our industry!



Contact us

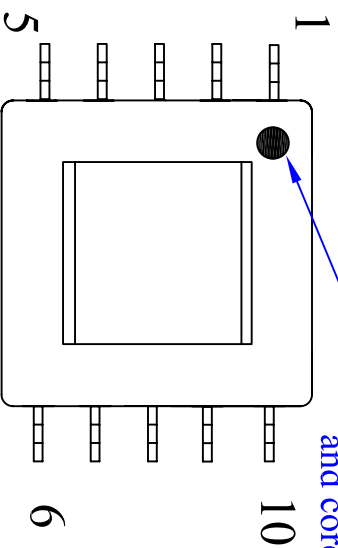
Tel: +86-755-8981 8866 Fax: +86-755-8427 6832

Email & Skype: info@chipsmall.com Web: www.chipsmall.com

Address: A1208, Overseas Decoration Building, #122 Zhenhua RD., Futian, Shenzhen, China

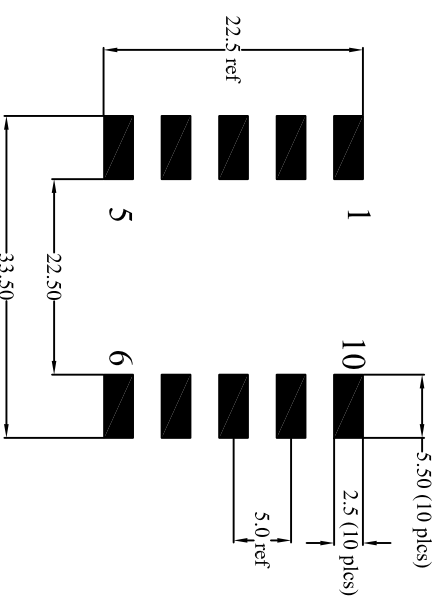


TOP VIEW

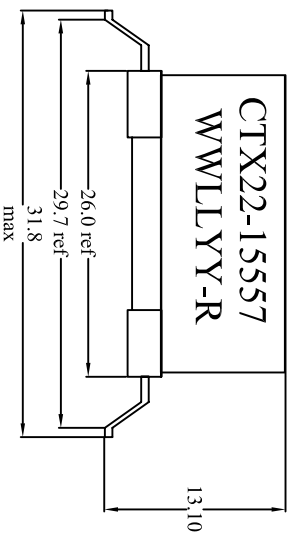


Pin 1 dot indicator on both bobbin side and core top. Contrasting color.

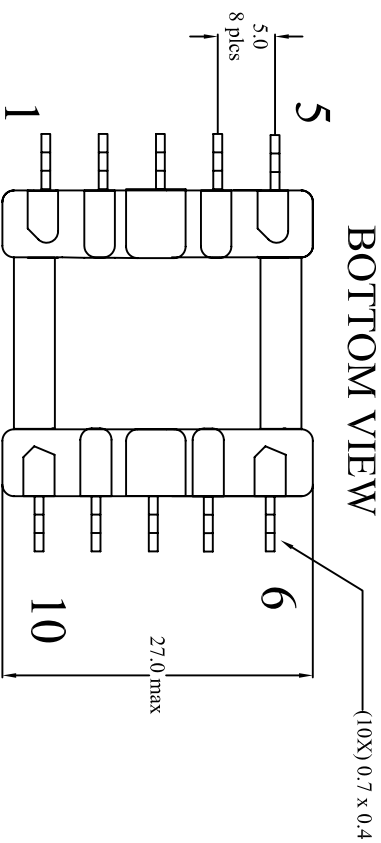
RECOMMENDED PCB LAYOUT



FRONT VIEW



BOTTOM VIEW

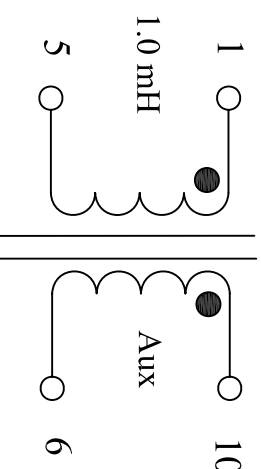


Pin 1 dot indicator on both bobbin side and core top. Contrasting color.

ELECTRICAL CHARACTERISTICS

- OCV @ 100kHz, 0.10Vrms; 0 Adc pin (1 - 5): 900 - 1100 uH
- FLL @ 100kHz, 0.10Vrms; 1.3 Adc pin (1 - 5): 855 uH minimum
- DCR @ 20°C, pin (1 - 5): 0.490 Ohms max
- DCR @ 20°C, pin (10 - 6): 0.470 Ohms max
- Hipot pin 1 to 6 and core @ 2000Vdc for 1 second
- Turns ratio: (1-5) : (10 - 6) = 1 : 0.048

SCHEMATIC



Notes:

- 1) All Dimensions are in millimeters unless otherwise specified.
- 2) Tolerances are .xx +/- 0.254, .xxx+/-0.127 unless stated otherwise.
- 3) All soldering surfaces to be coplanar within .102 millimeters.
- 4) wwllly = (Date Code) R= (Revision Level)
- 5) PCB tolerances are +/- 0.1 unless stated otherwise.

Cooper Electronic Technologies

3601 Quantum Blvd, Boynton Beach, FL 33426

Inductor, PFC with Auxiliary winding
120 - 375 Vdc input, 400 Vdc output @ 0.25Adc
1.0 mH @ 1.3Apk
Turns Ratio 1: 0.048
EFD25, 10 pin Gull Wing, Horizontal, SMT

Size Drawing Number: CTX22-15557

A Revision Level: C Sheet 3 of 6