



Chipsmall Limited consists of a professional team with an average of over 10 year of expertise in the distribution of electronic components. Based in Hongkong, we have already established firm and mutual-benefit business relationships with customers from,Europe,America and south Asia,supplying obsolete and hard-to-find components to meet their specific needs.

With the principle of “Quality Parts,Customers Priority,Honest Operation,and Considerate Service”,our business mainly focus on the distribution of electronic components. Line cards we deal with include Microchip,ALPS,ROHM,Xilinx,Pulse,ON,Everlight and Freescale. Main products comprise IC,Modules,Potentiometer,IC Socket,Relay,Connector.Our parts cover such applications as commercial,industrial, and automotives areas.

We are looking forward to setting up business relationship with you and hope to provide you with the best service and solution. Let us make a better world for our industry!



Contact us

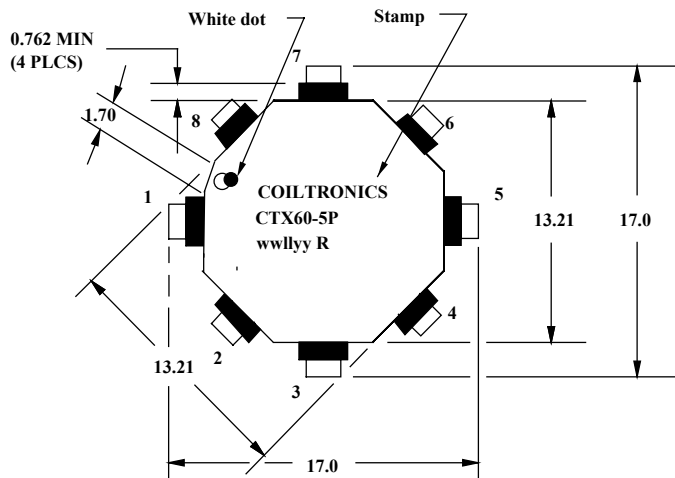
Tel: +86-755-8981 8866 Fax: +86-755-8427 6832

Email & Skype: info@chipsmall.com Web: www.chipsmall.com

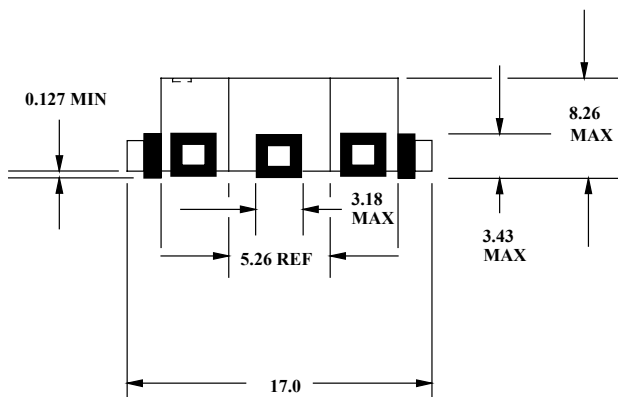
Address: A1208, Overseas Decoration Building, #122 Zhenhua RD., Futian, Shenzhen, China



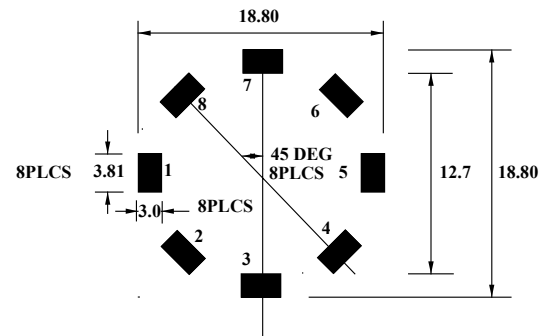
TOP VIEW



FRONT VIEW



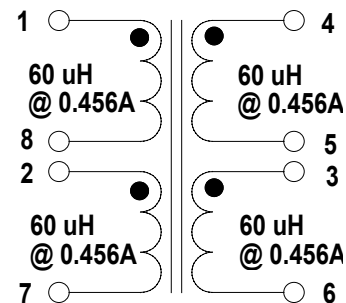
RECOMMENDED PCB PAD LAYOUT



ELECTRICAL CHARACTERISTICS

- OCL @ 20 KHz, 0.100 Vrms, 0 Adc, (1,2,3,4 - 5,6,7,8): 51 - 69 uH**
- OCL @ 20 KHz, 0.100 Vrms, 1.83 Adc, (1,2,3,4 - 5,6,7,8): 38 uH minimum**
- DCR @ 20°C pins (1-8): 0.38 Ohms maximum**
- DCR @ 20°C pins (2-7): 0.38 Ohms maximum**
- DCR @ 20°C pins (3-6): 0.38 Ohms maximum**
- DCR @ 20°C pins (4-5): 0.38 Ohms maximum**
- Hipot @ 300Vdc between windings for 1 second**
- Turns ratio (1-8) : (2-7) : (3-6) : (4-5) = 1.00 +/- 2%**

SCHEMATIC



Notes:

- 1) All dimensions are in inches.
- 2) Tolerances are .XX +/- 0.5 mm, .XXX +/- 0.254 mm unless otherwise noted.
- 3) All soldering surfaces to be coplanar within 0.15 mm.
- 4) wwlly= Date Code, R= Revision Level
- 5). For 60 uH @ 1.83 Adc, tie pins (parallel) 1,2,3,4 (starts) and tie pins (parallel) 5,6,7,8 (finishes)
- 6). For 960 uH @ 0.456 Adc, series connect pins 2 to 8, 3 to 7, 4 to 6 and measure across (1-5)

COILTRONICS, INCORPORATED

6000 Park of Commerce Blvd, Boca Raton, FL 33487

Inductor Transformer

60/960 uH @ 1.83/0.456 Adc

SMT, Octa-pac™ style 5-295 case, 8 pad

SIZE Drawing Number: **CTX60-5P**

A Revision Level: B Sheet Number: 4