



Chipsmall Limited consists of a professional team with an average of over 10 year of expertise in the distribution of electronic components. Based in Hongkong, we have already established firm and mutual-benefit business relationships with customers from,Europe,America and south Asia,supplying obsolete and hard-to-find components to meet their specific needs.

With the principle of “Quality Parts,Customers Priority,Honest Operation,and Considerate Service”,our business mainly focus on the distribution of electronic components. Line cards we deal with include Microchip,ALPS,ROHM,Xilinx,Pulse,ON,Everlight and Freescale. Main products comprise IC,Modules,Potentiometer,IC Socket,Relay,Connector.Our parts cover such applications as commercial,industrial, and automotives areas.

We are looking forward to setting up business relationship with you and hope to provide you with the best service and solution. Let us make a better world for our industry!



Contact us

Tel: +86-755-8981 8866 Fax: +86-755-8427 6832

Email & Skype: info@chipsmall.com Web: www.chipsmall.com

Address: A1208, Overseas Decoration Building, #122 Zhenhua RD., Futian, Shenzhen, China



| | | | | | |
|-----------|--------------------|----------|---|-----------|--------|
| PART NAME | UTILIBOX (STYLE A) | PART No. | CU-3286 & CU-3286-MB CUR-3286 & CUR-3286-MB CUR-3286-C & CUR-3286-CMB | REV. DATE | 9-2-10 |
|-----------|--------------------|----------|---|-----------|--------|

MATERIAL:

BODY AND STANDARD COVERS

ABS THERMOPLASTIC (FLAMMABILITY RATING UL94-5VA)

RECESSED COVERS (CUR-)

ABS THERMOPLASTIC (FLAMMABILITY RATING UL94-5VA)

CLEAR COVERS (-C)

ABS THERMOPLASTIC (FLAMMABILITY RATING UL94V-2)

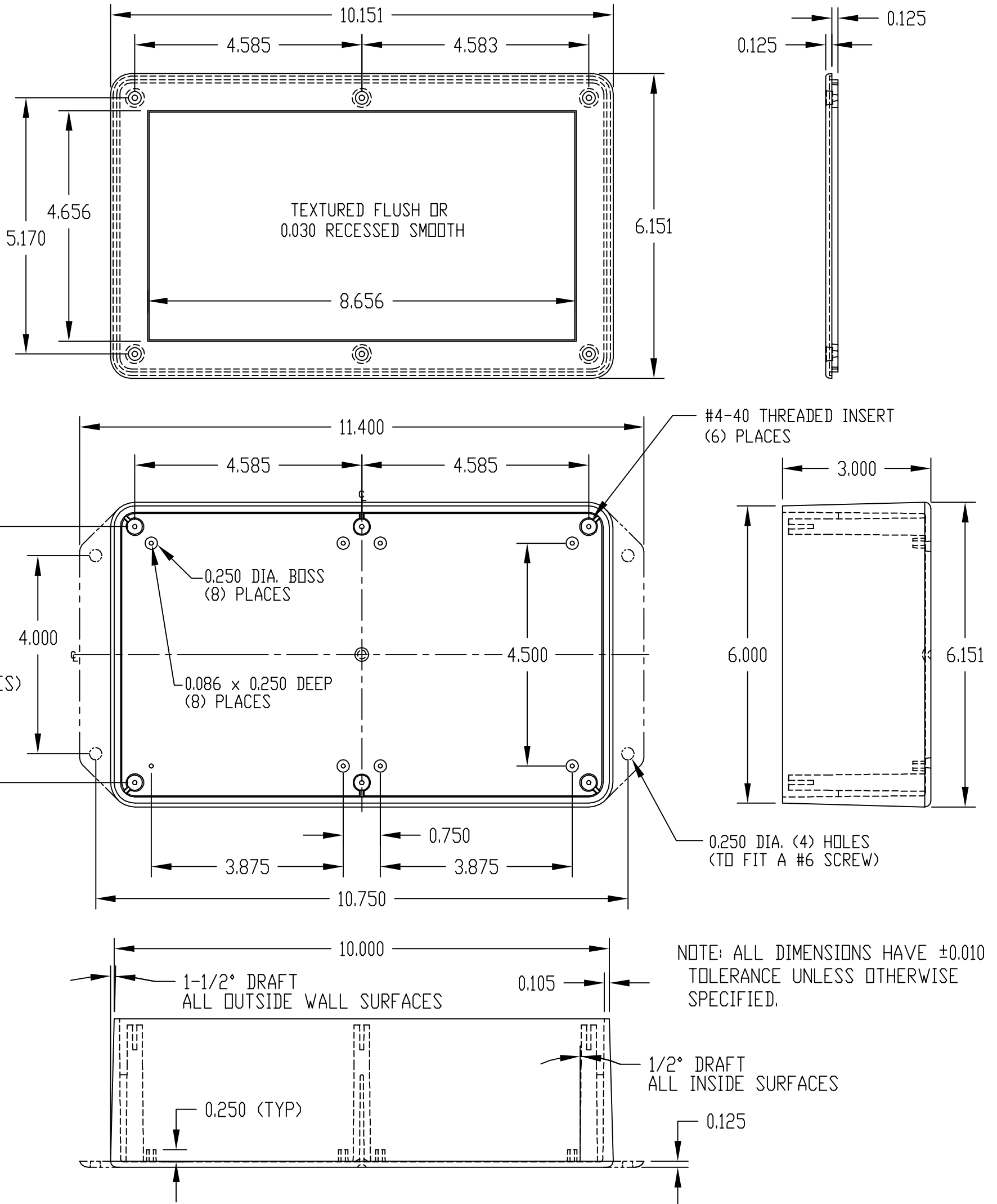
FINISH

BODY AND STANDARD COVERS ARE BLACK TEXTURED

RECESSED (CUR-) AND CLEAR COVERS (-C) ARE SMOOTH FINISH

SIX (6) #4-40 x 0.500" LG. SCREWS SUPPLIED FOR ASSEMBLING COVER TO BODY

MOUNTING BOSSES USE EITHER M2.5 METRIC OR #4 STD. SHEET METAL SCREWS x 0.250" LG. (NOT SUPPLIED)



| | |
|-------------|---|
| PART No. | |
| CU-3286 | TEXTURED FLUSH COVER LESS RECESS AND BODY WITHOUT MOUNTING FLANGE |
| CU-3286-MB | TEXTURED FLUSH COVER LESS RECESS AND BODY WITH MOUNTING FLANGE. |
| CUR-3286 | COVER WITH SMOOTH 0.030 RECESS AND BODY WITHOUT MOUNTING FLANGE. |
| CUR-3286-MB | COVER WITH SMOOTH 0.030 RECESS AND BODY WITH MOUNTING FLANGE |