



Chipsmall Limited consists of a professional team with an average of over 10 year of expertise in the distribution of electronic components. Based in Hongkong, we have already established firm and mutual-benefit business relationships with customers from,Europe,America and south Asia,supplying obsolete and hard-to-find components to meet their specific needs.

With the principle of “Quality Parts,Customers Priority,Honest Operation,and Considerate Service”,our business mainly focus on the distribution of electronic components. Line cards we deal with include Microchip,ALPS,ROHM,Xilinx,Pulse,ON,Everlight and Freescale. Main products comprise IC,Modules,Potentiometer,IC Socket,Relay,Connector.Our parts cover such applications as commercial,industrial, and automotives areas.

We are looking forward to setting up business relationship with you and hope to provide you with the best service and solution. Let us make a better world for our industry!



## Contact us

Tel: +86-755-8981 8866 Fax: +86-755-8427 6832

Email & Skype: info@chipsmall.com Web: www.chipsmall.com

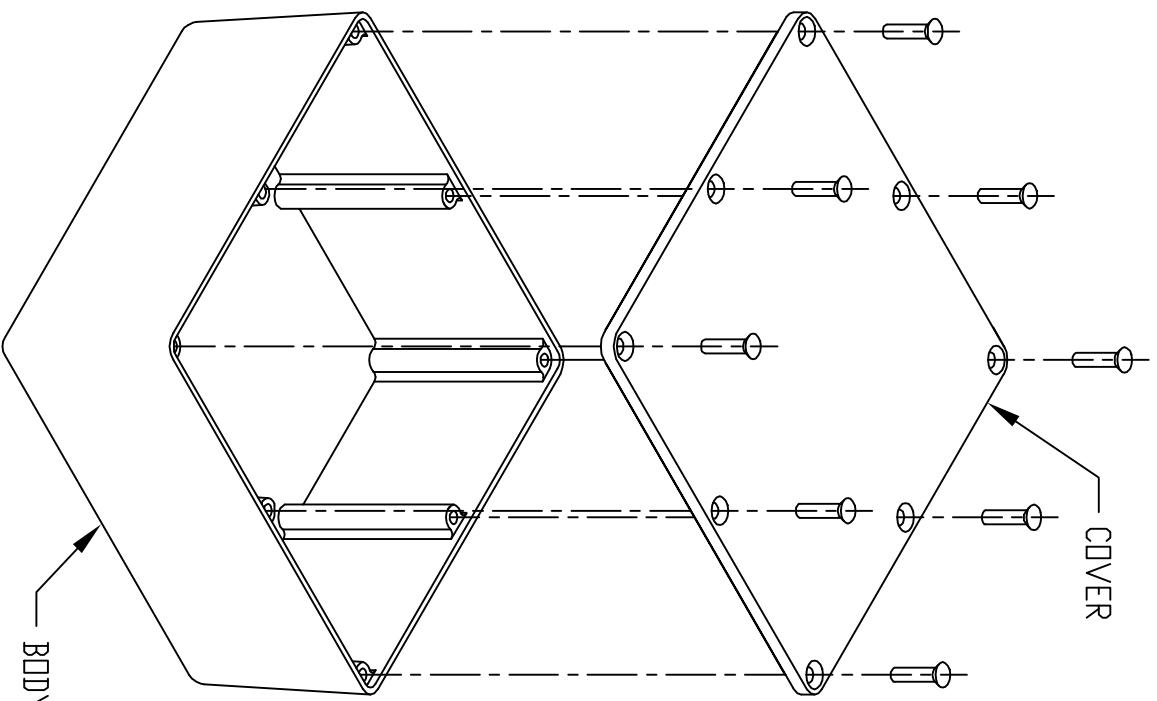
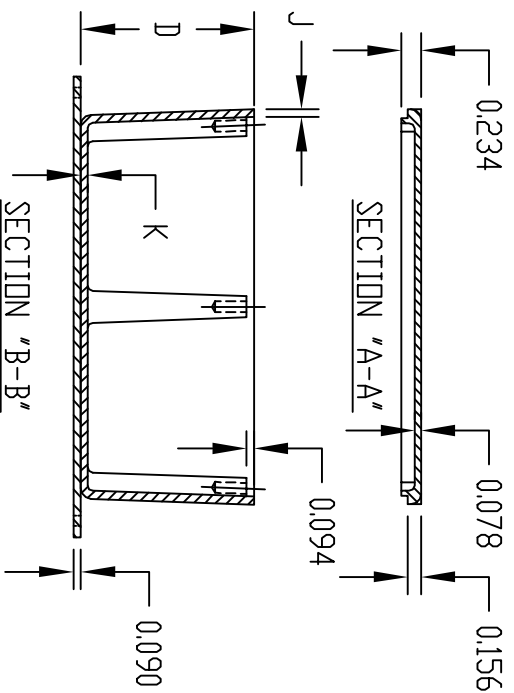
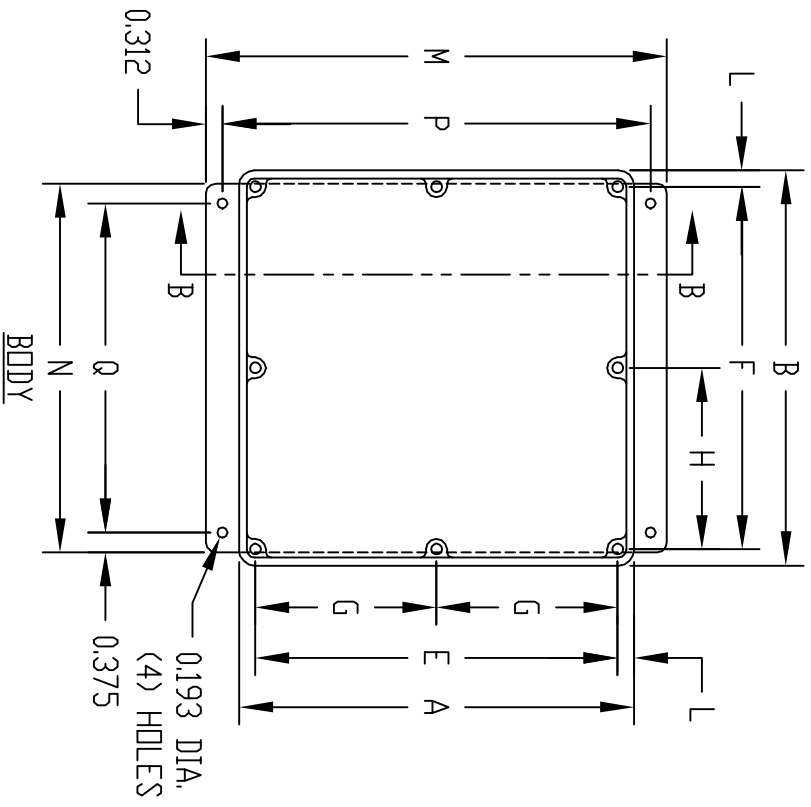
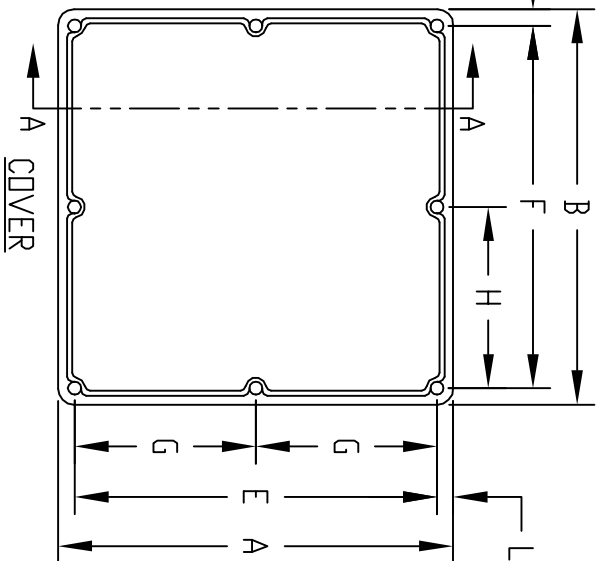
Address: A1208, Overseas Decoration Building, #122 Zhenhua RD., Futian, Shenzhen, China



PART NAME ECNDNDBOXES

PART No. CU-4470 TD CU-4479 & CU-470-G TD CU-479-G  
CU-4470 TD CU-4479 & CU-4470-B TD CU-4479-B

REV. DATE 10-14-09



MATERIAL:  
ALUMINUM ALLOY #ADC-12  
FINISH:  
NATURAL (ND SUFFIX)  
GRAY (SUFFIX -G)  
SMOOTH BLACK (SUFFIX -B)

ALL INTERNAL FILLETS 0.062 RADIUS  
ALL INTERNAL ROUNDS 0.125 RADIUS  
ALL EXTERNAL ROUNDS 0.125 RADIUS  
ALL BOXES ASSEMBLED WITH #6-32 FLAT HD. SCREWS

PART NO. CU-4470 THRU CU-4479  
AND CU-4470-B THRU CU-4479-B  
ARE SUPPLIED WITH A WELDED ON  
MOUNTING BRACKET ONLY.

\* ASSEMBLED HEIGHT

PART NO.	PART NO.	A	B	* C	D	E	F	G	H	J	K	L	M	N	P	Q
CU-470	CU-470-G	2.000	2.000	1.250	1.094	1.625	1.625	----	----	0.065	0.065	0.188	----	----	----	----
CU-471	CU-471-G	4.330	3.250	1.750	1.594	3.955	2.875	----	----	0.094	0.078	0.188	----	----	----	----
CU-472	CU-472-G	4.750	3.150	2.330	2.174	4.375	2.775	----	----	0.094	0.078	0.188	----	----	----	----
CU-473	CU-473-G	4.688	3.688	1.340	1.184	4.313	3.313	----	----	0.094	0.078	0.188	----	----	----	----
CU-474	CU-474-G	4.750	4.750	2.330	2.174	4.375	4.375	----	----	0.094	0.078	0.188	----	----	----	----
CU-475	CU-475-G	4.750	4.750	3.750	3.594	4.375	4.375	----	----	0.094	0.078	0.188	----	----	----	----
CU-476	CU-476-G	6.000	3.250	2.000	1.844	5.610	2.860	2.805	----	0.094	0.078	0.195	----	----	----	----
CU-477	CU-477-G	7.390	4.703	1.500	1.344	7.000	4.313	3.500	----	0.094	0.078	0.195	----	----	----	----
CU-478	CU-478-G	7.500	7.500	2.620	2.464	7.110	7.110	3.555	3.555	0.094	0.078	0.195	----	----	----	----
CU-479	CU-479-G	4.375	2.375	2.136	1.980	4.000	2.000	----	----	0.065	0.078	0.188	----	----	----	----
CU-4470	CU-4470-B	2.000	2.000	1.250	1.094	1.625	1.625	----	----	0.065	0.065	0.188	3.250	1.625	2.626	0.875
CU-4471	CU-4471-B	4.330	3.250	1.750	1.594	3.955	2.875	----	----	0.094	0.078	0.188	5.624	2.875	5.000	2.125
CU-4472	CU-4472-B	4.750	3.150	2.330	2.174	4.375	2.775	----	----	0.094	0.078	0.188	6.000	2.750	5.376	2.000
CU-4473	CU-4473-B	4.688	3.688	1.340	1.184	4.313	3.313	----	----	0.094	0.078	0.188	6.000	2.750	5.376	2.000
CU-4474	CU-4474-B	4.750	4.750	2.330	2.174	4.375	4.375	----	----	0.094	0.078	0.188	6.000	2.750	5.376	2.000
CU-4475	CU-4475-B	4.750	4.750	3.750	3.594	4.375	4.375	----	----	0.094	0.078	0.188	6.000	2.750	5.376	2.000
CU-4476	CU-4476-B	6.000	3.250	2.000	1.844	5.610	2.860	2.805	----	0.094	0.078	0.188	5.874	4.250	5.250	3.500
CU-4477	CU-4477-B	7.390	4.703	1.500	1.344	7.000	4.313	3.500	----	0.094	0.078	0.195	7.250	2.875	6.626	2.125
CU-4478	CU-4478-B	7.500	7.500	2.620	2.464	7.110	7.110	3.555	3.555	0.094	0.078	0.195	8.750	7.000	8.126	6.250
CU-4479	CU-4479-B	4.375	2.375	2.136	1.980	4.000	2.000	----	----	0.065	0.078	0.188	5.624	2.000	5.000	1.250