



Chipsmall Limited consists of a professional team with an average of over 10 year of expertise in the distribution of electronic components. Based in Hongkong, we have already established firm and mutual-benefit business relationships with customers from,Europe,America and south Asia,supplying obsolete and hard-to-find components to meet their specific needs.

With the principle of “Quality Parts,Customers Priority,Honest Operation,and Considerate Service”,our business mainly focus on the distribution of electronic components. Line cards we deal with include Microchip,ALPS,ROHM,Xilinx,Pulse,ON,Everlight and Freescale. Main products comprise IC,Modules,Potentiometer,IC Socket,Relay,Connector.Our parts cover such applications as commercial,industrial, and automotives areas.

We are looking forward to setting up business relationship with you and hope to provide you with the best service and solution. Let us make a better world for our industry!



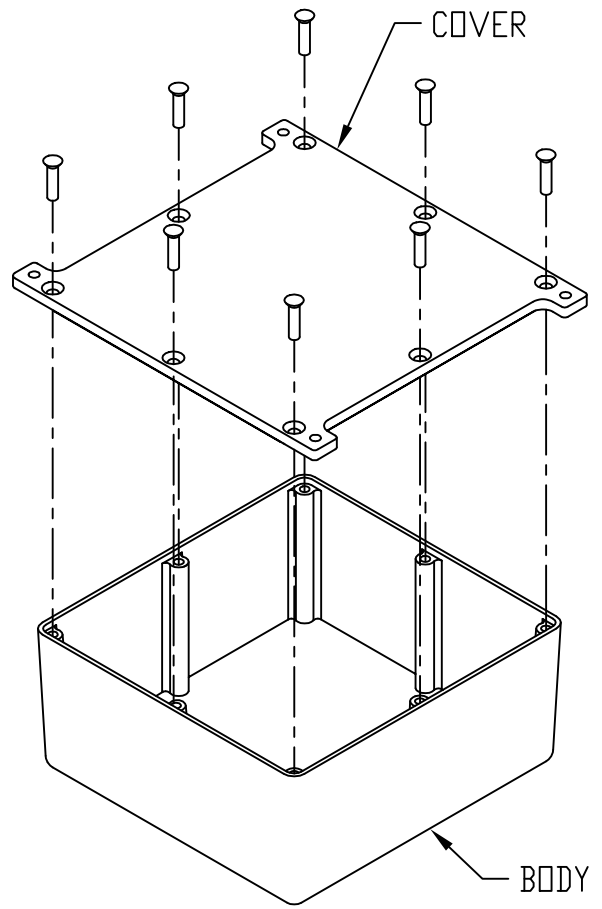
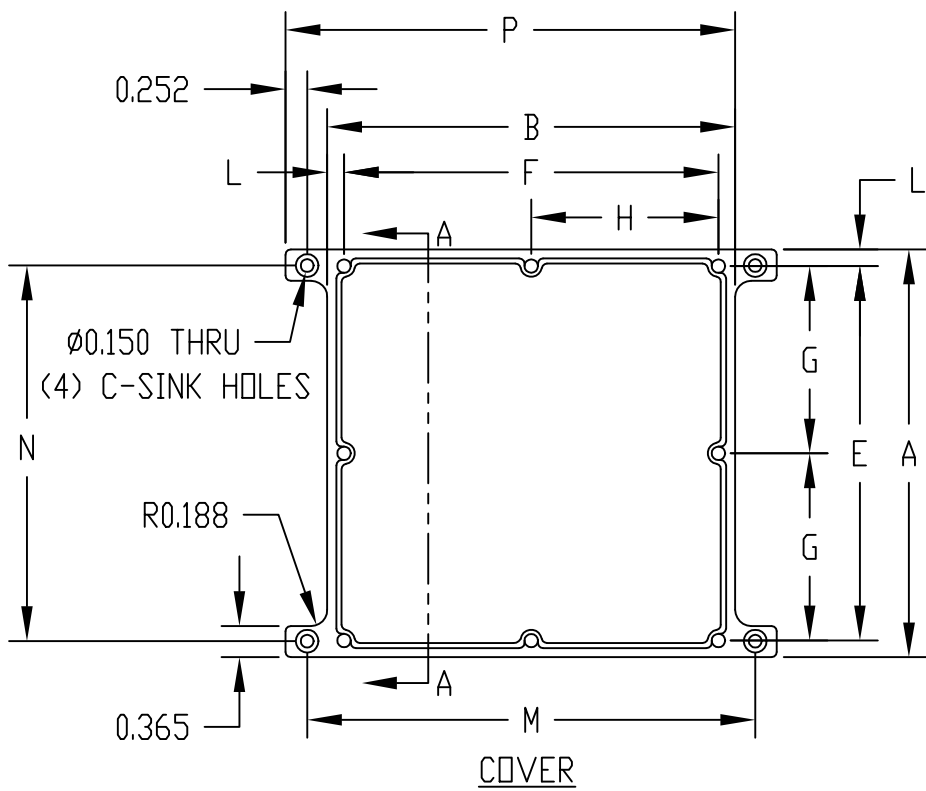
Contact us

Tel: +86-755-8981 8866 Fax: +86-755-8427 6832

Email & Skype: info@chipsmall.com Web: www.chipsmall.com

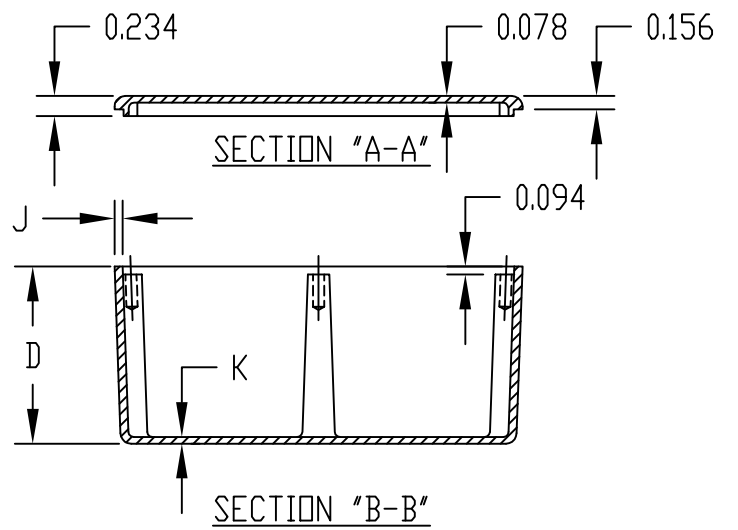
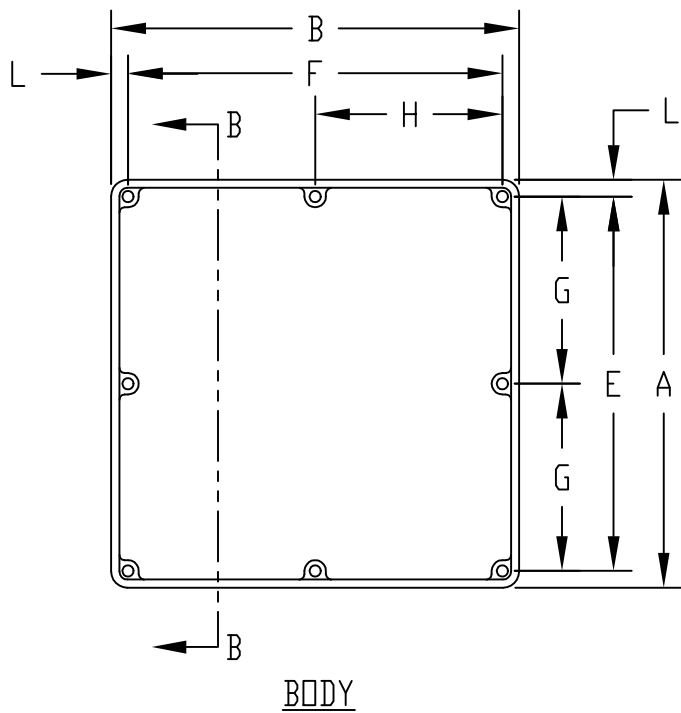
Address: A1208, Overseas Decoration Building, #122 Zhenhua RD., Futian, Shenzhen, China





MATERIAL:
ALUMINUM ALLOY #ADC-12
FINISH:
NATURAL (NO SUFFIX)
SMOOTH BLACK (SUFFIX -B)

ALL INTERNAL FILLETS 0.062 RADIUS
ALL INTERNAL ROUNDS 0.125 RADIUS
ALL EXTERNAL ROUNDS 0.125 RADIUS
ALL BOXES ASSEMBLED WITH #6-32 FLAT HD. SCREWS



* ASSEMBLED HEIGHT

PART NO.	PART NO.	A	B	* C	D	E	F	G	H	J	K	L	M	N	P
CU-5470	CU-5470-B	2.000	2.000	1.250	1.094	1.625	1.625	---	---	0.065	0.065	0.188	2.468	1.625	2.486
CU-5471	CU-5471-B	4.330	3.250	1.750	1.594	3.955	2.875	---	---	0.094	0.078	0.188	3.718	3.954	3.736
CU-5472	CU-5472-B	4.750	3.150	2.330	2.174	4.375	2.775	---	---	0.094	0.078	0.188	3.618	4.374	3.636
CU-5473	CU-5473-B	4.688	3.688	1.340	1.184	4.313	3.313	---	---	0.094	0.078	0.188	4.156	4.312	4.174
CU-5474	CU-5474-B	4.750	4.750	2.330	2.174	4.375	4.375	---	---	0.094	0.078	0.188	5.218	4.375	5.236
CU-5475	CU-5475-B	4.750	4.750	3.750	3.594	4.375	4.375	---	---	0.094	0.078	0.188	5.218	4.375	5.236
CU-5476	CU-5476-B	6.000	3.250	2.000	1.844	5.610	2.860	2.805	---	0.094	0.078	0.195	3.718	5.604	3.736
CU-5477	CU-5477-B	7.390	4.703	1.500	1.344	7.000	4.313	3.500	---	0.094	0.078	0.195	5.172	7.000	5.190
CU-5478	CU-5478-B	7.500	7.500	2.620	2.464	7.110	7.110	3.555	3.555	0.094	0.078	0.195	7.968	7.110	7.986
CU-5479	CU-5479-B	4.375	2.375	2.136	1.980	4.000	2.000	---	---	0.065	0.078	0.188	2.844	4.000	2.862