



Chipsmall Limited consists of a professional team with an average of over 10 year of expertise in the distribution of electronic components. Based in Hongkong, we have already established firm and mutual-benefit business relationships with customers from,Europe,America and south Asia,supplying obsolete and hard-to-find components to meet their specific needs.

With the principle of “Quality Parts,Customers Priority,Honest Operation,and Considerate Service”,our business mainly focus on the distribution of electronic components. Line cards we deal with include Microchip,ALPS,ROHM,Xilinx,Pulse,ON,Everlight and Freescale. Main products comprise IC,Modules,Potentiometer,IC Socket,Relay,Connector.Our parts cover such applications as commercial,industrial, and automotives areas.

We are looking forward to setting up business relationship with you and hope to provide you with the best service and solution. Let us make a better world for our industry!



Contact us

Tel: +86-755-8981 8866 Fax: +86-755-8427 6832

Email & Skype: info@chipsmall.com Web: www.chipsmall.com

Address: A1208, Overseas Decoration Building, #122 Zhenhua RD., Futian, Shenzhen, China



PART NAME

UTILIBOX (STYLE E)

PART No.

CU-789 TO CU-792

MATERIAL:

ABS THERMOPLASTIC
(FLAMMABILITY RATING OF 94V-0 AT
0.070" THICKNESS AND CONTINUOUS
USE TEMPERATURE OF 70° C.)

FINISH:

BODY - OUTSIDE SURFACES ARE TEXTURED FINISH
WITH TEXTURED INSERT AREA.
COVER - SURFACES ARE SMOOTH.

MOUNTING BOSSES USE EITHER M2.5 METRIC
OR #4 STD. SHEET METAL SCREWS x 0.250" LG.
(NOT SUPPLIED)

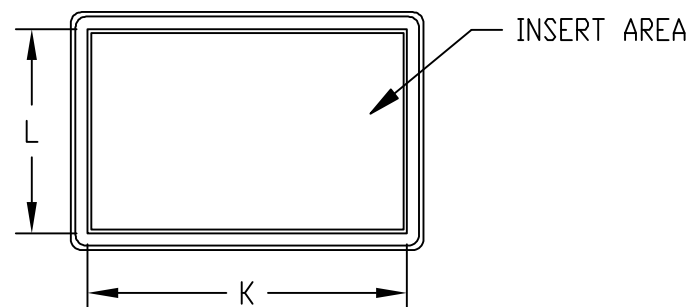
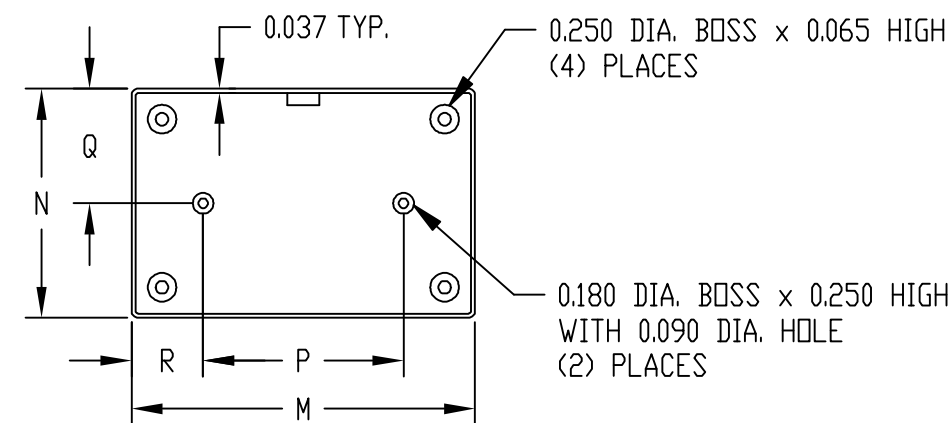
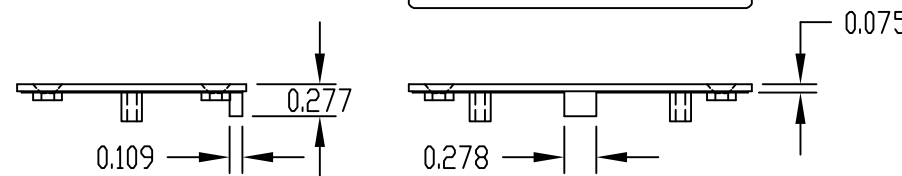
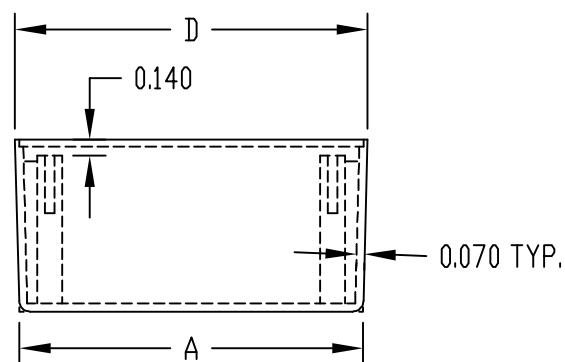
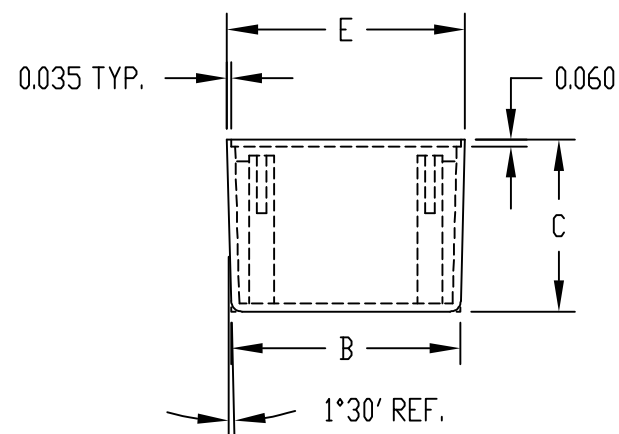
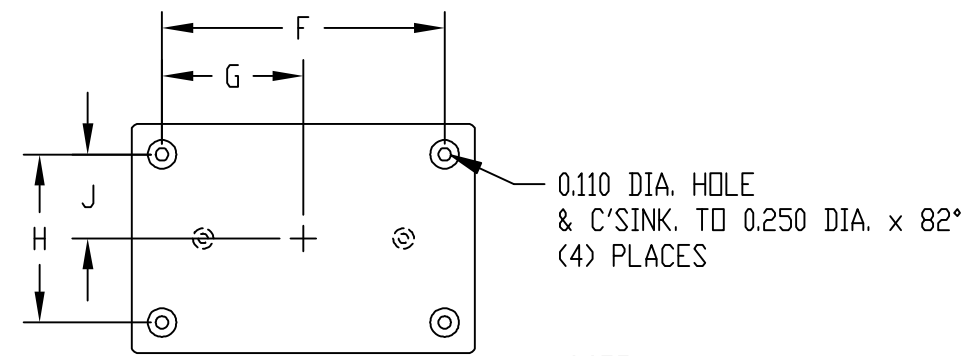
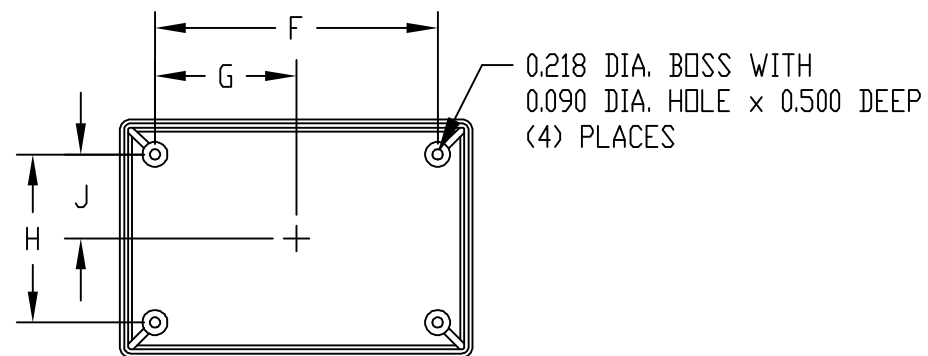
COLOR: BLACK

NOTE: ALL DIMENSIONS HAVE ±0.010 TOLERANCE
UNLESS OTHERWISE SPECIFIED.

COVER REDUCES INSIDE HEIGHT BY 0.075.

LENGTH AND WIDTH DIMENSIONS ARE
TAKEN FROM CLOSED END OF THE BOX.
DIMENSIONS INCREASE SLIGHTLY AT
OPEN END DUE TO TAPER.

FOUR (4) #4 x 0.500" LG. SELF THREADING
SCREWS WITH HI/LOW THREADS
ARE SUPPLIED FOR MOUNTING COVER.



BODY

COVER

PART No.	A	B	C	D	E	F	G	H	J	K	L	M	N	P	Q	R
CU-789	3.000	2.000	0.900	3.047	2.047	2.625	1.313	1.625	0.813	3.015	2.015	3.010	2.010	1.750	1.005	0.633
CU-790	3.000	2.000	1.500	3.079	2.079	2.625	1.313	1.625	0.813	3.015	2.015	3.010	2.010	1.750	1.005	0.633
CU-791	3.000	3.000	1.500	3.079	3.079	2.625	1.313	2.625	1.313	3.015	3.015	3.015	3.015	1.750	1.508	0.633
CU-792	4.000	1.750	1.000	4.052	1.802	3.600	1.800	1.340	0.670	3.975	1.725	3.970	1.720	3.000	0.860	0.485