



Chipsmall Limited consists of a professional team with an average of over 10 year of expertise in the distribution of electronic components. Based in Hongkong, we have already established firm and mutual-benefit business relationships with customers from,Europe,America and south Asia,supplying obsolete and hard-to-find components to meet their specific needs.

With the principle of “Quality Parts,Customers Priority,Honest Operation,and Considerate Service”,our business mainly focus on the distribution of electronic components. Line cards we deal with include Microchip,ALPS,ROHM,Xilinx,Pulse,ON,Everlight and Freescale. Main products comprise IC,Modules,Potentiometer,IC Socket,Relay,Connector.Our parts cover such applications as commercial,industrial, and automotives areas.

We are looking forward to setting up business relationship with you and hope to provide you with the best service and solution. Let us make a better world for our industry!



Contact us

Tel: +86-755-8981 8866 Fax: +86-755-8427 6832

Email & Skype: info@chipsmall.com Web: www.chipsmall.com

Address: A1208, Overseas Decoration Building, #122 Zhenhua RD., Futian, Shenzhen, China



PART NAME	UTILIBOX (STYLE E)	PART No.	CU-793 & CUR-793
-----------	--------------------	----------	------------------

MATERIAL:

ABS THERMOPLASTIC
 (FLAMMABILITY RATING OF 94V-0 AT
 0.070" THICKNESS AND CONTINUOUS
 USE TEMPERATURE OF 70° C.)

FINISH:

BODY (NO SUFFIX) - OUTSIDE SURFACES ARE TEXTURED FINISH WITH TEXTURED INSERT AREA.
 BODY (SUFFIX -R) - OUTSIDE SURFACES ARE TEXTURED FINISH WITH SMOOTH RECESSED INSERT AREA.
 COVER - SURFACES ARE SMOOTH.

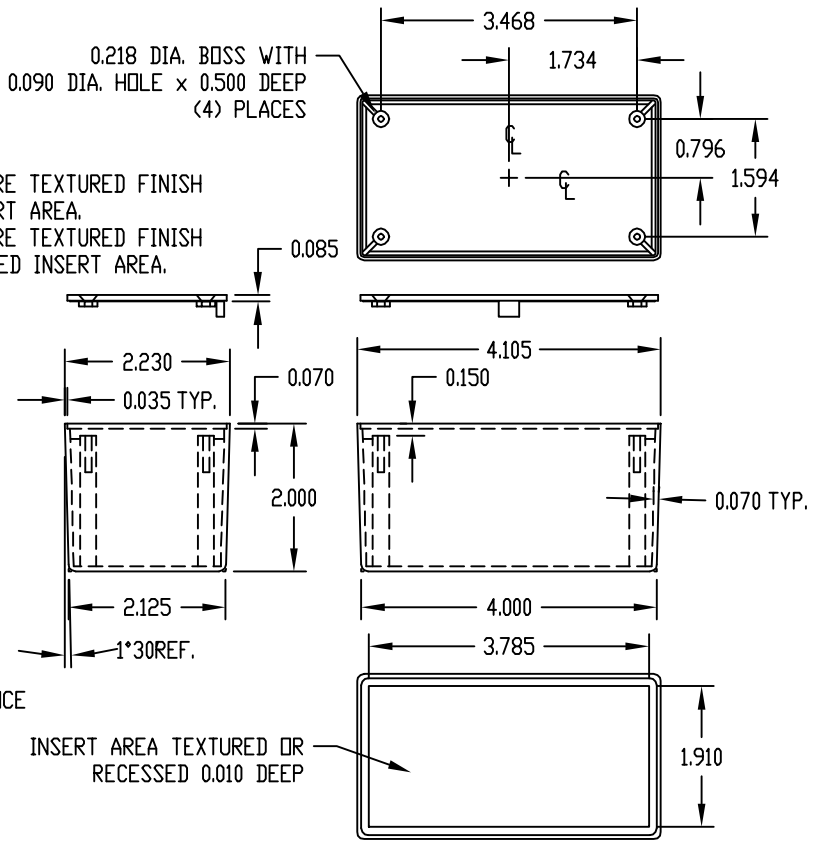
COLOR: BLACK

COVER REDUCES INSIDE HEIGHT BY 0.085.

LENGTH AND WIDTH DIMENSIONS ARE TAKEN FROM CLOSED END OF THE BOX. DIMENSIONS INCREASE SLIGHTLY AT OPEN END DUE TO TAPER.

FOUR (4) #4 x 0.500" LG. SELF THREADING SCREWS WITH HI/LOW THREADS ARE SUPPLIED FOR MOUNTING COVER.

NOTE: ALL DIMENSIONS HAVE ±0.010 TOLERANCE UNLESS OTHERWISE SPECIFIED.



PART NAME	UTILIBOX (STYLE E)	PART No.	CU-793-MB & CUR-793-MB
-----------	--------------------	----------	------------------------

MATERIAL:

ABS THERMOPLASTIC
 (FLAMMABILITY RATING OF 94V-0 AT
 0.070" THICKNESS AND CONTINUOUS
 USE TEMPERATURE OF 70° C.)

FINISH:

BODY (SUFFIX -MB) - OUTSIDE SURFACES ARE TEXTURED FINISH WITH TEXTURED INSERT AREA.
 BODY (SUFFIX -RMB) - OUTSIDE SURFACES ARE TEXTURED FINISH WITH SMOOTH RECESSED INSERT AREA.
 COVER - SURFACES ARE SMOOTH.

COLOR: BLACK

COVER REDUCES INSIDE HEIGHT BY 0.085.

LENGTH AND WIDTH DIMENSIONS ARE TAKEN FROM CLOSED END OF THE BOX. DIMENSIONS INCREASE SLIGHTLY AT OPEN END DUE TO TAPER.

FOUR (4) #4 x 0.500" LG. SELF THREADING SCREWS WITH HI/LOW THREADS ARE SUPPLIED FOR MOUNTING COVER.

NOTE: ALL DIMENSIONS HAVE ±0.010 TOLERANCE UNLESS OTHERWISE SPECIFIED.

