



Chipsmall Limited consists of a professional team with an average of over 10 year of expertise in the distribution of electronic components. Based in Hongkong, we have already established firm and mutual-benefit business relationships with customers from,Europe,America and south Asia,supplying obsolete and hard-to-find components to meet their specific needs.

With the principle of "Quality Parts,Customers Priority,Honest Operation,and Considerate Service",our business mainly focus on the distribution of electronic components. Line cards we deal with include Microchip,ALPS,ROHM,Xilinx,Pulse,ON,Everlight and Freescale. Main products comprise IC,Modules,Potentiometer,IC Socket,Relay,Connector.Our parts cover such applications as commercial,industrial, and automotives areas.

We are looking forward to setting up business relationship with you and hope to provide you with the best service and solution. Let us make a better world for our industry!



Contact us

Tel: +86-755-8981 8866 Fax: +86-755-8427 6832

Email & Skype: info@chipsmall.com Web: www.chipsmall.com

Address: A1208, Overseas Decoration Building, #122 Zhenhua RD., Futian, Shenzhen, China



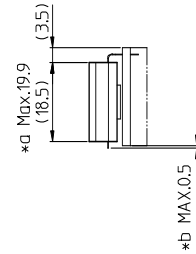
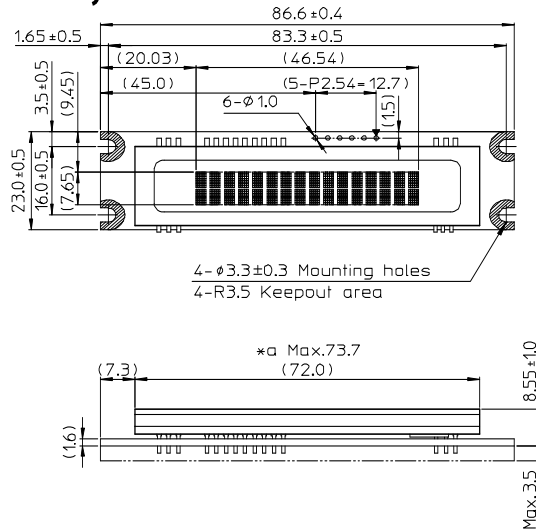
CU16024-UX3J

SIMPLIFIED DATASHEET

Features

16 character x 2 line display LCD compatible module.
Compact model of CU16025-UX6J.

Physical dimension



() Reference only

Unit:mm

*a Included extra frit glass

*b Ensure conductive / metallic surfaces do not contact pin stubs.

Get full specification



Click here to go to request form.

Specifications

Electrical Ratings

Parameter	Symbol	Min.	Typ.	Max.	Unit	Condition
Logic Input Voltage	VIH1	2.0	-	VCC	VDC	VCC-VSS= 5.0 V
SCK, STB	VIL1	VSS	-	0.8	VDC	
Logic Input Voltage	VIH2	0.7VCC	-	VCC	VDC	VCC-VSS= 5.0 V
SI/SO	VIL2	VSS	-	0.3VCC	VDC	
Power supply Voltage	VCC-VSS	4.75	5.00	5.25	VDC	-

Electrical Characteristics

Parameter	Symbol	Min.	Typ.	Max.	Unit	Condition
Logic Output Voltage	'H'	VOH	VCC-0.8	-	-	IOH = -4 mA
	'L'	VOL	-	-	0.6	IOL = 4 mA
	'H'	VOH	VCC-0.5	-	-	IOH = -2 mA
	'L'	VOL	-	-	0.5	IOL = 2 mA
Power Supply Current #1	ICC1	-	160	200	mA	Display ON
Power Supply Current #2	ICC2	-	135	170	mA	Display ON
Power Supply Current #3	ICC3	-	7	20	mA	Display OFF
Power Consumption #1		-	0.80	1.00	W	Display ON
Power Consumption #2		-	0.68	0.85	W	Display ON

#1: Brightness 200% #2: Brightness 100%

Optical Characteristics

Parameter	Symbol	Value
Luminance		350 cd/m ² Min.
	#1	1000 cd/m ² Typ.
	#2	2000 cd/m ² Typ.
Color of illumination		Green (Blue-Green)

#1: Brightness 200% #2: Brightness 100%

Environmental Conditions

Parameter	Value
Operating Temperature	-40 ~ +85 degrees celsius
Storage Temperature	-50 ~ +85 degrees celsius
Operating Humidity	20 ~ 80% R.H. (non-condensing)
Vibration (Non operation)	10-55-10Hz, all amplitude 1mm, 30 minutes, X-Y-Z
Shock (Non operation)	980m/s ² (100G) 6ms

Physical Specifications

Parameter	Value
Number of char.	32 (16 x 2)
Matrix format	5 x 7 ANK, International
Display area	46.54 x 7.65 mm (X x Y)
Character size	2.065 x 3.569 mm (X x Y)
Character pitch	2.965 mm
Line pitch	4.081 mm
Weight	About 23 g

Interface

Synchronous Serial (CMOS)

(Synchronous Serial)

Pin No	Signal
1	VCC
2	SI/SO
3	GND
4	STB
5	SCK
6	NC

Functions

Parameter	Value
Brightness Boost function	
Command compatible with HD44780 LCD controller	
Display ON/OFF	
Brightness Control	
Cursor ON/OFF	
8 User definable character font	
etc.	



Leaflet contents, and specifications and external appearance of products, may change without notice.

Please confirm product details in the specification.

(C)Copyright NORITAKE ITRON CORP.