



Chipsmall Limited consists of a professional team with an average of over 10 year of expertise in the distribution of electronic components. Based in Hongkong, we have already established firm and mutual-benefit business relationships with customers from,Europe,America and south Asia,supplying obsolete and hard-to-find components to meet their specific needs.

With the principle of "Quality Parts,Customers Priority,Honest Operation,and Considerate Service",our business mainly focus on the distribution of electronic components. Line cards we deal with include Microchip,ALPS,ROHM,Xilinx,Pulse,ON,Everlight and Freescale. Main products comprise IC,Modules,Potentiometer,IC Socket,Relay,Connector.Our parts cover such applications as commercial,industrial, and automotives areas.

We are looking forward to setting up business relationship with you and hope to provide you with the best service and solution. Let us make a better world for our industry!



Contact us

Tel: +86-755-8981 8866 Fax: +86-755-8427 6832

Email & Skype: info@chipsmall.com Web: www.chipsmall.com

Address: A1208, Overseas Decoration Building, #122 Zhenhua RD., Futian, Shenzhen, China



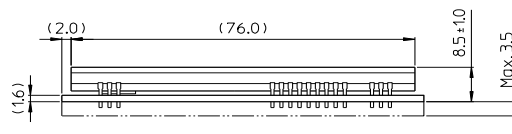
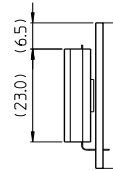
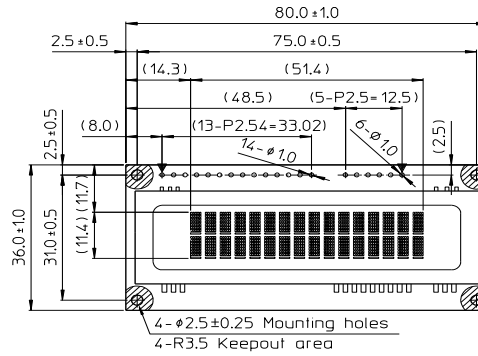
CU16025-UX6J

SIMPLIFIED DATASHEET

Features

16 character x 2 line display.
 LCD compatible, serial interface. Good for use as LCD drop-in replacement, or in various other applications. Higher brightness, from standard (CU16025-UW6J level) 1000cd/m² to up to 2000cd/m².

Physical dimension



():Reference only
 Unit:mm

Get full specification



Click here to go to request form.

Specifications

Electrical Ratings

Parameter	Symbol	Min.	Typ.	Max.	Unit	Condition
Logic Input Voltage DB0-DB7, RS,R/W(WR), E(RD),SCK, STB	VIH1	2.0	-	VCC	VDC	VCC-VSS= 5.0 V
	VIL1	VSS	-	0.8	VDC	
Logic Input Voltage SI/SO	VIH2	0.7VCC	-	VCC	VDC	VCC-VSS= 5.0 V
	VIL2	VSS	-	0.3VCC	VDC	
Logic Input Voltage /RESET	VIH3	0.8VCC	-	VCC	VDC	VCC-VSS= 5.0 V
	VIL3	VSS	-	0.2VCC	VDC	
Power supply Voltage	VCC-VSS	4.75	5.00	5.25	VDC	-

Physical Specifications

Parameter	Value
Number of char.	32 (16 x 2)
Matrix format	5 x 7 ANK, International
Display area	51.4 x 11.4 mm (X x Y)
Character size	2.275 x 4.759 mm (X x Y) Underline is not included.
Character pitch	3.275 mm
Line pitch	5.991 mm
Weight	About 30 g

Electrical Characteristics

Parameter	Symbol	Min.	Typ.	Max.	Unit	Condition
Logic Output Voltage 'H'	VOH	VCC-0.8	-	-	VDC	IOH = -4 mA
'L'	VOL	-	-	0.6	VDC	IOL = 4 mA
'H'	VOH	VCC-0.5	-	-	VDC	IOH = -2 mA
'L'	VOL	-	-	0.5	VDC	IOL = 2 mA
Power Supply Current #1	ICC1	-	180	240	mA	Display ON
Power Supply Current #2	ICC2	-	150	200	mA	Display ON
Power Supply Current #3	ICC3	-	3	10	mA	Display OFF
Power Consumption #1		-	0.9	1.20	W	Display ON
Power Consumption #2		-	0.75	1.00	W	Display ON

#1: Brightness 200% #2: Brightness 100%

Interface

8bit/4bit Parallel(TTL), Synchronous Serial (CMOS)

Pin Assignment (Parallel)

Pin No	Signal	Pin No	Signal
1	GND	8	DB1
2	VCC	9	DB2
3	NC	10	DB3
4	RS	11	DB4
5	R/W(WR)	12	DB5
6	E(RD)	13	DB6
7	DB0	14	DB7

(Synchronous Serial)

Pin No	Signal
1	VCC
2	SI/SO
3	GND
4	STB
5	SCK
6	NC

Optical Characteristics

Parameter	Value
Luminance	350 cd/m ² Min.
#1	1000 cd/m ² Typ.
#2	2000 cd/m ² Typ.
Color of illumination	Green (Blue-Green)

#1: Brightness 200% #2: Brightness 100%

Environmental Conditions

Parameter	Value
Operating Temperature	-40 ~ +85 degrees celsius
Storage Temperature	-50 ~ +85 degrees celsius
Operating Humidity	20 ~ 80% R.H. (non-condensing)
Vibration (Non operation)	10-55-10Hz, all amplitude 1mm, 30 minutes, X-Y-Z
Shock (Non operation)	980m/s ² (100G) 6ms

Functions

Parameter
 Brightness Boost function
 Command compatible with HD44780 LCD controller
 Display ON/OFF
 Brightness Control
 Cursor ON/OFF
 8 User definable character font
 etc.



Leaflet contents, and specifications and external appearance of products, may change without notice.

Please confirm product details in the specification.

(C)Copyright NORITAKE ITRON CORP.