



Chipsmall Limited consists of a professional team with an average of over 10 year of expertise in the distribution of electronic components. Based in Hongkong, we have already established firm and mutual-benefit business relationships with customers from,Europe,America and south Asia,supplying obsolete and hard-to-find components to meet their specific needs.

With the principle of “Quality Parts,Customers Priority,Honest Operation,and Considerate Service”,our business mainly focus on the distribution of electronic components. Line cards we deal with include Microchip,ALPS,ROHM,Xilinx,Pulse,ON,Everlight and Freescale. Main products comprise IC,Modules,Potentiometer,IC Socket,Relay,Connector.Our parts cover such applications as commercial,industrial, and automotives areas.

We are looking forward to setting up business relationship with you and hope to provide you with the best service and solution. Let us make a better world for our industry!



Contact us

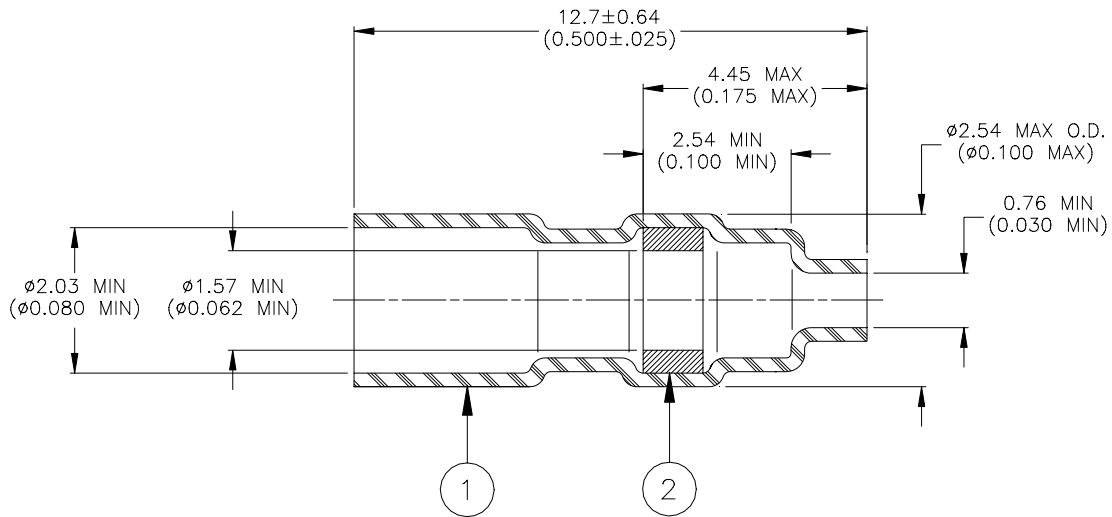
Tel: +86-755-8981 8866 Fax: +86-755-8427 6832

Email & Skype: info@chipsmall.com Web: www.chipsmall.com

Address: A1208, Overseas Decoration Building, #122 Zhenhua RD., Futian, Shenzhen, China



SPECIFICATION CONTROL DRAWING



MATERIALS

1. INSULATION SLEEVE: Heat shrinkable, transparent blue, radiation cross-linked polyvinylidene fluoride.
2. SOLDER PREFORM WITH FLUX:
 SOLDER: TYPE Sn63 per ANSI J-STD-006.
 FLUX: TYPE ROL1 per ANSI J-STD-004.

APPLICATION

1. This part is designed to attach a tin or silver plated wire to terminals with 2.54 (0.100) or greater center spacing.
 Wire Accommodation:
 Jacket O.D.: 0.76 to 2.03 (0.030 to 0.080)
 Gauge: AWG 26 to 20
 Connector Terminal:
 Max. Diagonal: 0.76 (0.030)
 Height: 5.08 to 7.62 (0.200 to 0.300)
2. Sleeve will recover to 0.76 (0.030) max. I.D.
3. This drawing forms part of Raychem Specification control Drawing:
 D-711-04, 2.54 (0.100) centers
 D-711-07, 3.18 (0.125) centers
 D-711-08, 3.96 (0.156) centers

tyco <i>Electronics</i>		Raychem		Tyco Electronics Corporation 300 Constitutional Drive Menlo Park, CA 94025 USA		TITLE: SOLDERSLEEVE WIRE TERMINATOR									
UNLESS OTHERWISE SPECIFIED DIMENSIONS ARE IN MILLIMETERS. INCHES DIMENSIONS ARE BETWEEN BRACKETS.				DOCUMENT NO.: D-141-31											
TOLERANCES: 0.00 N/A 0.0 N/A 0 N/A		ANGLES: N/A ROUGHNESS IN MICRON		Tyco reserves the right to amend this drawing at any time. Users should evaluate the suitability of the product for their application.		DATE: 17-July-00		DOC ISSUE: 1							
DRAWN BY: M. FORONDA		CAGE CODE: 06090		REPLACES: N/A		DCR NUMBER: D000398		PROD. REV.: E		SCALE: None		SIZE: A		SHEET: 1 of 1	

If this document is printed it becomes uncontrolled. Check for the latest revision.