



Chipsmall Limited consists of a professional team with an average of over 10 year of expertise in the distribution of electronic components. Based in Hongkong, we have already established firm and mutual-benefit business relationships with customers from,Europe,America and south Asia,supplying obsolete and hard-to-find components to meet their specific needs.

With the principle of “Quality Parts,Customers Priority,Honest Operation,and Considerate Service”,our business mainly focus on the distribution of electronic components. Line cards we deal with include Microchip,ALPS,ROHM,Xilinx,Pulse,ON,Everlight and Freescale. Main products comprise IC,Modules,Potentiometer,IC Socket,Relay,Connector.Our parts cover such applications as commercial,industrial, and automotives areas.

We are looking forward to setting up business relationship with you and hope to provide you with the best service and solution. Let us make a better world for our industry!



## Contact us

Tel: +86-755-8981 8866 Fax: +86-755-8427 6832

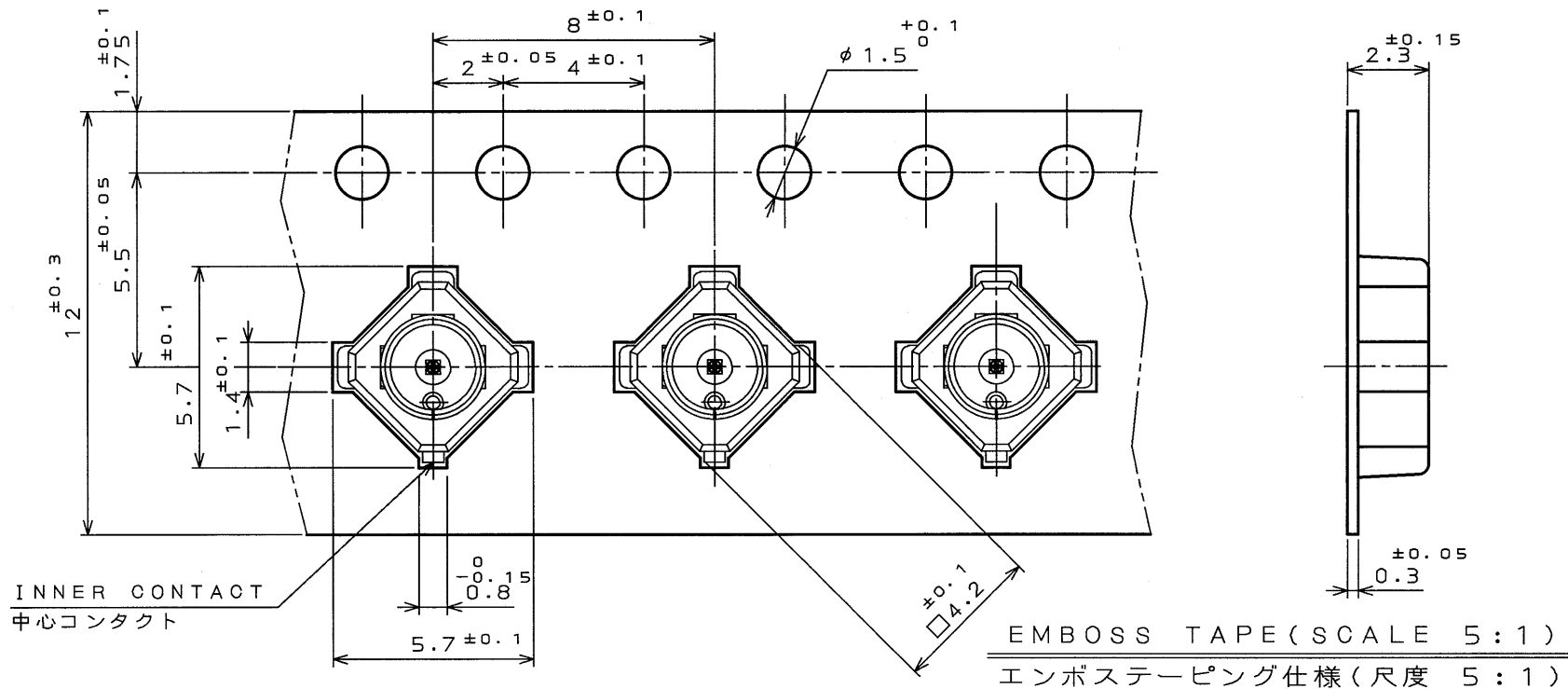
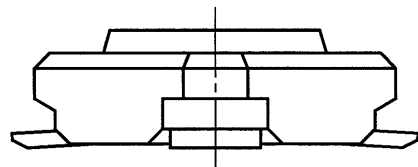
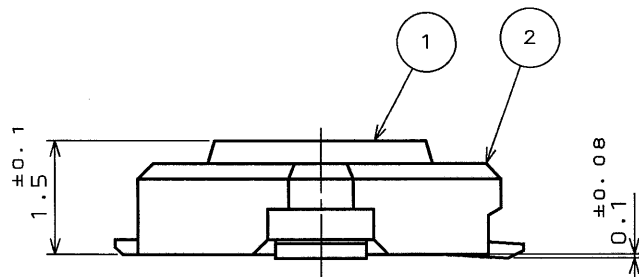
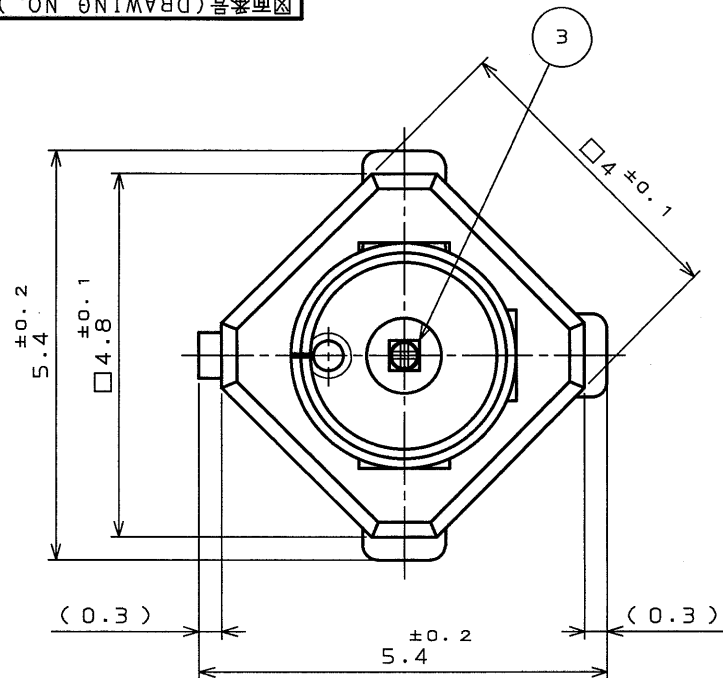
Email & Skype: info@chipsmall.com Web: www.chipsmall.com

Address: A1208, Overseas Decoration Building, #122 Zhenhua RD., Futian, Shenzhen, China



図面番号 (DRAWING NO.) SJ028840

版数 REV.	年月日 DATE	DCN NO.	変更内容 DESCRIPTION	製図 DR.	担当 CHK.	査閲 APPD.	承認 APPD.
2	22.Jul.2003	52540	CORRECT AN ERROR		H.NISHIOKA	T.MIYASHITA	T.Kanou



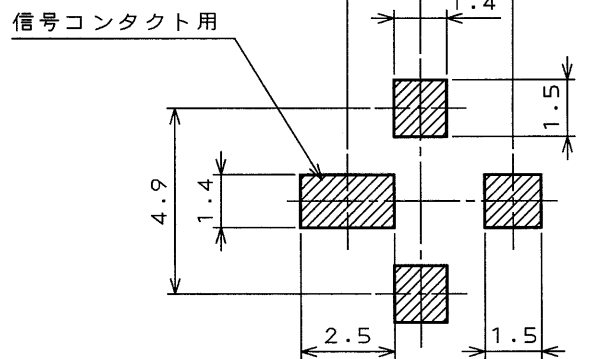
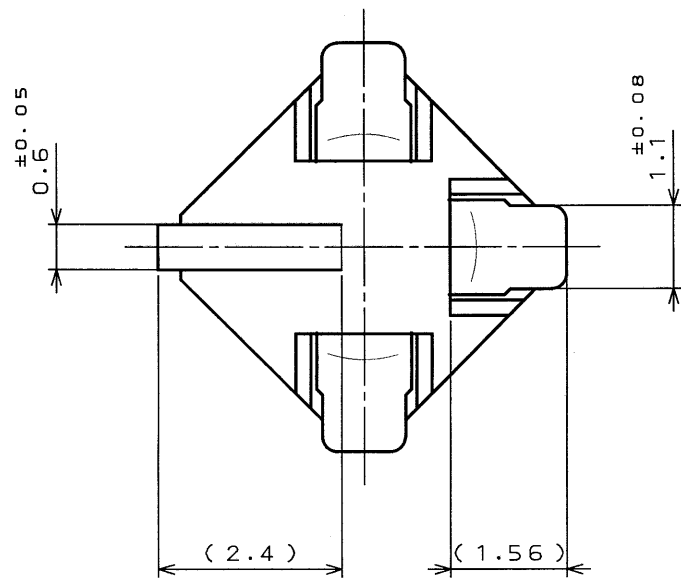
Designation  
コネクタ命名法

CV10-RP-M-0  
 SOLDER HEAD 半田付  
 CONTACT TYPE: (M: MALE) コンタクトタイプ (M: E\*ンコンタクト)  
 BODY STRAIGHT RECEPTACLE ボディ形状 (RP: ストレートレセプタクル)  
 SERIES: SUPER MINI JUMPER COAXIAL CONNECTOR シリーズ名: 超小型ジャンパー同軸コネクタ

JAE 日本航空電子工業株式会社 MADE IN JAPAN	
品名	CV10-RP-M-0
収納数	*** 個入 (コネクタNO.) *****
備考	TB1208

NOTE1. A PART LIST : ONLY PARTS OF A CONNECTOR.  
 注1. 部品表にはコネクタの部品のみ示す。  
 NOTE2. IT DISPLAYS IN THE FIGURE.1  
 注2. 梱包箱には図1の表示 (印刷またはシール) を行う。

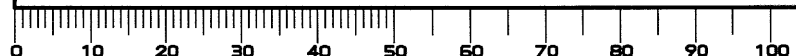
FIGURE 1 (図1)



基板取付パターン寸法 (参考)  
 推奨基板: t0.8

符号 NO.	名称 DESCRIPTION	個数 QTY.	材料 MATERIAL	仕上 FINISH	備考 REMARKS
3	CENTER CONTACT	1	BRASS	GOLD PLATING OVER NICKEL	
2	INSULATOR	1	40% PPS		
1	OUTER CONTACT	1	PHOSPHOR BRONZE	TIN PLATE	
仕様書 (SPECIFICATION) JACS-2046		第1版 (ORIGINAL DATE) 9.Oct.2002		JAE-CONNECTOR.COM Reference Only	
公差 (GENERAL TOLERANCE)		製図 DR.		名称 (TITLE) CV10-RP-M-0	
寸法 (DIMENSION)		担当 CHK. H.NISHIOKA		製造年月日 (コネクタNO.)	
角度 (ANGLES)		査閲 APPD. T.MIYASHITA		JAE AVIATION ELECTRONICS INDUSTRY, LTD.	
. ±0.8		承認 APPD. T.KANOU		図面番号 (DRAWING NO.) SJ028840	
.X ±0.4				重量 (WEIGHT)	
.XX ±0.1				重量 (WEIGHT)	
.XXX ±				重量 (WEIGHT)	

DOF-0-212D(98.02)



CDS-94-140-10368

SIZE A3

版数 (REV.) 2