



Chipsmall Limited consists of a professional team with an average of over 10 year of expertise in the distribution of electronic components. Based in Hongkong, we have already established firm and mutual-benefit business relationships with customers from,Europe,America and south Asia,supplying obsolete and hard-to-find components to meet their specific needs.

With the principle of “Quality Parts,Customers Priority,Honest Operation,and Considerate Service”,our business mainly focus on the distribution of electronic components. Line cards we deal with include Microchip,ALPS,ROHM,Xilinx,Pulse,ON,Everlight and Freescale. Main products comprise IC,Modules,Potentiometer,IC Socket,Relay,Connector.Our parts cover such applications as commercial,industrial, and automotives areas.

We are looking forward to setting up business relationship with you and hope to provide you with the best service and solution. Let us make a better world for our industry!



Contact us

Tel: +86-755-8981 8866 Fax: +86-755-8427 6832

Email & Skype: info@chipsmall.com Web: www.chipsmall.com

Address: A1208, Overseas Decoration Building, #122 Zhenhua RD., Futian, Shenzhen, China

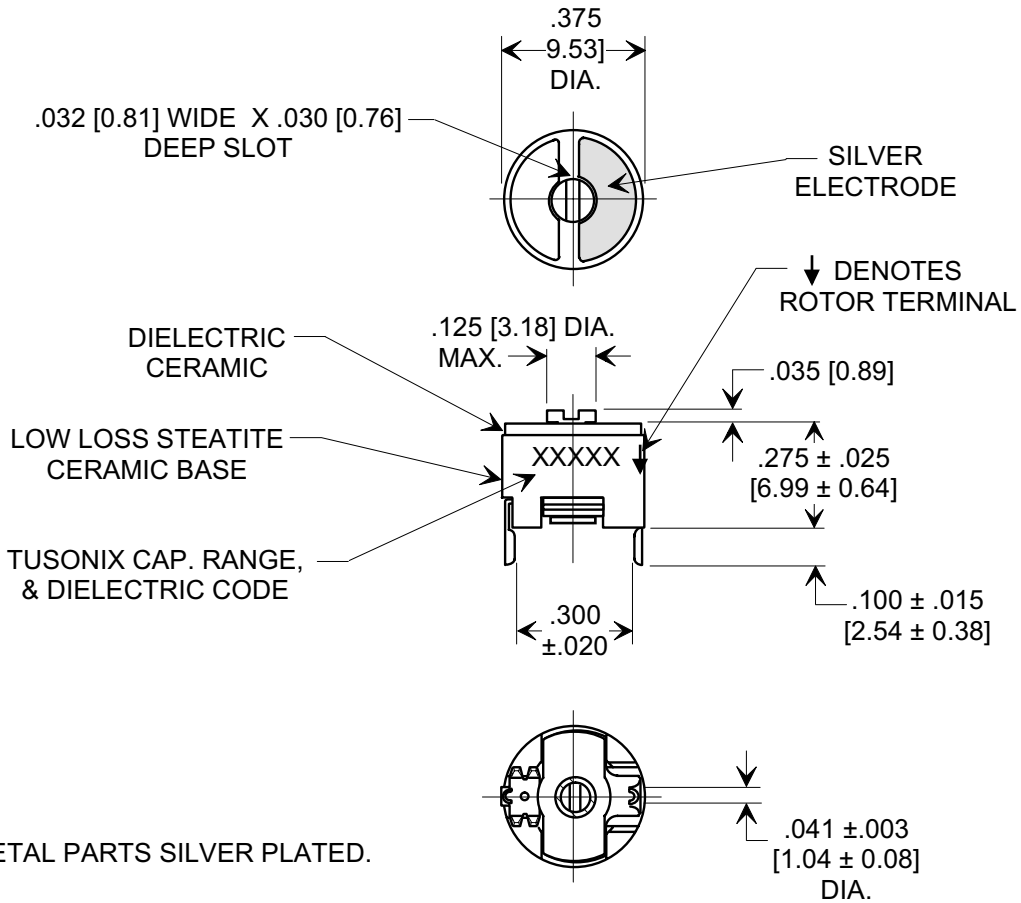
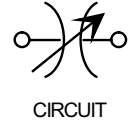
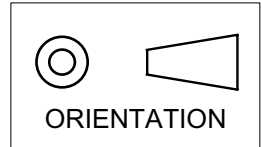


MARKETING SALES DRAWING

DIMENSIONS IN INCHES - DO NOT SCALE THIS DRAWING

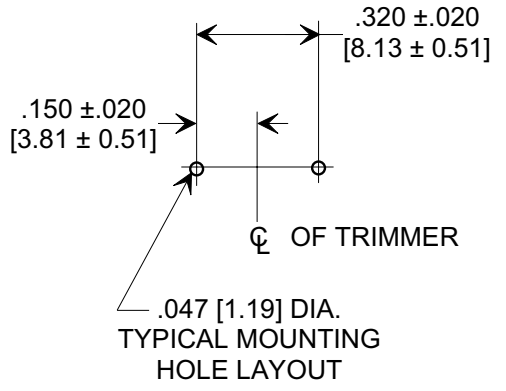
DIMENSIONS IN METRIC - []

Electrical Testing
per Tusonix standard
test plans and Mil-Std-202
Test Methods.



NOTE:
ALL METAL PARTS SILVER PLATED.

FOR DIMENSIONS ≤ .125"/3.18mm,
TOLERANCE IS ±.015"/0.38mm.
FOR DIMENSIONS ≥ .126"/3.20mm,
TOLERANCE IS ±.030"/0.76mm.



ORDERING INFORMATION

Part No.	538-011 F 15.0-60
Value	15.0 - 60pF
Value Tol.	MIN. +10%, MAX. -10% +100%
Dielectric Type Code	F
Rating	200 WVDC @ 85°, 100 WVDC @ 125°C
Operating Temperature Range:	-55°C TO + 125°C
To Tusonix Spec Unless Stated Otherwise	

X-2015 Rev-0

REVISION RECORD	0	Original Release
	1	20030530-1-03
METRIC DIM'S & ORIENTATION SYMBOL CIRCUIT & NOTES ADDED L.E. 06-03-03		

TOLERANCES unless otherwise specified	Title	
2 PLC. DECIMAL ±	CERAMIC TRIMMER	
3 PLC. DECIMAL ±		
ANGLES ± 10°	Drawn S.M. 09-14-99	Scale 2 X
TUSONIX TUCSON, ARIZONA	Approved E.F. 09-14-99	
	A	538-011 F 15.0-60