



Chipsmall Limited consists of a professional team with an average of over 10 year of expertise in the distribution of electronic components. Based in Hongkong, we have already established firm and mutual-benefit business relationships with customers from,Europe,America and south Asia,supplying obsolete and hard-to-find components to meet their specific needs.

With the principle of "Quality Parts,Customers Priority,Honest Operation,and Considerate Service",our business mainly focus on the distribution of electronic components. Line cards we deal with include Microchip,ALPS,ROHM,Xilinx,Pulse,ON,Everlight and Freescale. Main products comprise IC,Modules,Potentiometer,IC Socket,Relay,Connector.Our parts cover such applications as commercial,industrial, and automotives areas.

We are looking forward to setting up business relationship with you and hope to provide you with the best service and solution. Let us make a better world for our industry!



Contact us

Tel: +86-755-8981 8866 Fax: +86-755-8427 6832

Email & Skype: info@chipsmall.com Web: www.chipsmall.com

Address: A1208, Overseas Decoration Building, #122 Zhenhua RD., Futian, Shenzhen, China



Telecom OC48 VCXO

- 622.08 MHz Osc
- Low Phase Noise
- LVDS Output

Applications

- SDH / SONET
- Digital Switching
- Test Equipment
- Cellular Telephony
- Land Mobile Radio

Series **CV622V**



Part Numbering Example: CV622V Z

Specifications:	Min	Typ	Max	Unit
Frequency Range:		622.08		MHz
Available Stability Options:	-50		50	ppm
Supply Voltage:	3.135	3.3	3.465	V
Operating Temperature Range Options:	-10		85	°C
Storage Temperature:	-55		125	°C
Duty Cycle:	45		55	%
Start-Up Time:		3	10	mS
Aging (PPM/1st Year): Ta=25C, Vdd=3.3V			±5	
Static Discharge Voltage Mil-Std 883, method 3015	2000			V
Supply Current			80	mA
Short Circuit Current		± 50		mA
Jitter Period, RMS Period, Peak to Peak Accumulated, RMS Peak to Peak		4 25 7 45		pS pS pS pS
Phase Noise @1KHz Offset		-125		dBc/Hz
Vcon Modulation BW	25	0V ≤ Vcon ≤ 3.3V -3dB		KHz
Pull Range	-190		190	ppm
Linearity	5		10	%
Frequency Tuning Range		115		ppm/V
Output Level:	LVDS			
Packaging	Tape & Reel			

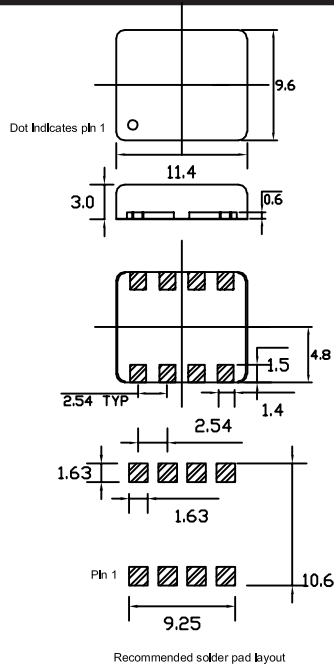
Notes: Extended exposure exceeding maximum ratings may cause permanent damage and affect reliability. Operation outside of specifications is not supported.

Cardinal Components, Inc., 155 Rt. 46 W, Wayne, NJ. 07470 TEL: (973)785-1333 FAX: (973)785-0053
<http://www.cardinalxtal.com> E-Mail: cardinal@cardinalxtal.com

Specifications subject to change without notice. Check website for latest updates



CV622V

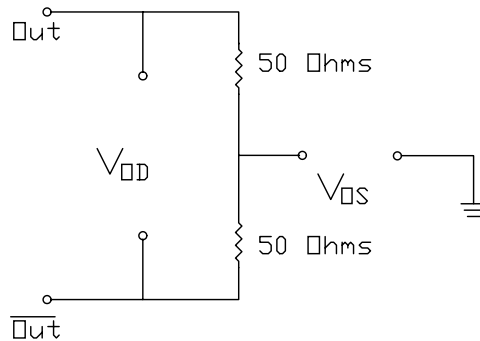


PIN	FUNCTION
1	OE
2	V _{CONTROL}
3	N/C
4	GND
5	LVDS +
6	LVDS -
7	N/C
8	V _{DD}

DIMENSIONS ARE IN MM

LEVELS TEST CIRCUIT

LVDS Levels Test Circuit



SWITCHING TEST CIRCUIT

LVDS Switching Test Circuit

