



Chipsmall Limited consists of a professional team with an average of over 10 year of expertise in the distribution of electronic components. Based in Hongkong, we have already established firm and mutual-benefit business relationships with customers from,Europe,America and south Asia,supplying obsolete and hard-to-find components to meet their specific needs.

With the principle of “Quality Parts,Customers Priority,Honest Operation,and Considerate Service”,our business mainly focus on the distribution of electronic components. Line cards we deal with include Microchip,ALPS,ROHM,Xilinx,Pulse,ON,Everlight and Freescale. Main products comprise IC,Modules,Potentiometer,IC Socket,Relay,Connector.Our parts cover such applications as commercial,industrial, and automotives areas.

We are looking forward to setting up business relationship with you and hope to provide you with the best service and solution. Let us make a better world for our industry!



Contact us

Tel: +86-755-8981 8866 Fax: +86-755-8427 6832

Email & Skype: info@chipsmall.com Web: www.chipsmall.com

Address: A1208, Overseas Decoration Building, #122 Zhenhua RD., Futian, Shenzhen, China



Class J Fuseblocks(600V) Catalog Data

Catalog Number	Covers		Voltage	Current	Number of Poles	Label
	Class J	w/o Indication				
JM60100-1CR	CVR-J-60100	CVRI-J-60100	600	100	1	JM60100-1CR
JM60100-2CR					2	JM60100-2CR
JM60100-3CR					3	JM60100-3CR
JM60200-1CR	CVR-J-60200	CVRI-J-60200		200	1	JM60200-1CR
JM60200-2CR					2	JM60200-2CR
JM60200-3CR					3	JM60200-3CR
JM60400-1CR	CVR-J-60400	CVRI-J-60400		400	1	JM60400-1CR
JM60400-2CR					2	JM60400-2CR
JM60400-3CR					3	JM60400-3CR
JM60600-1CR	CVR-J-60600	CVRI-J-60600		600	1	JM60600-1CR
JM60600-2CR					2	JM60600-2CR
JM60600-3CR					3	JM60600-3CR

COOPER Bussmann
St. Louis MO 63178

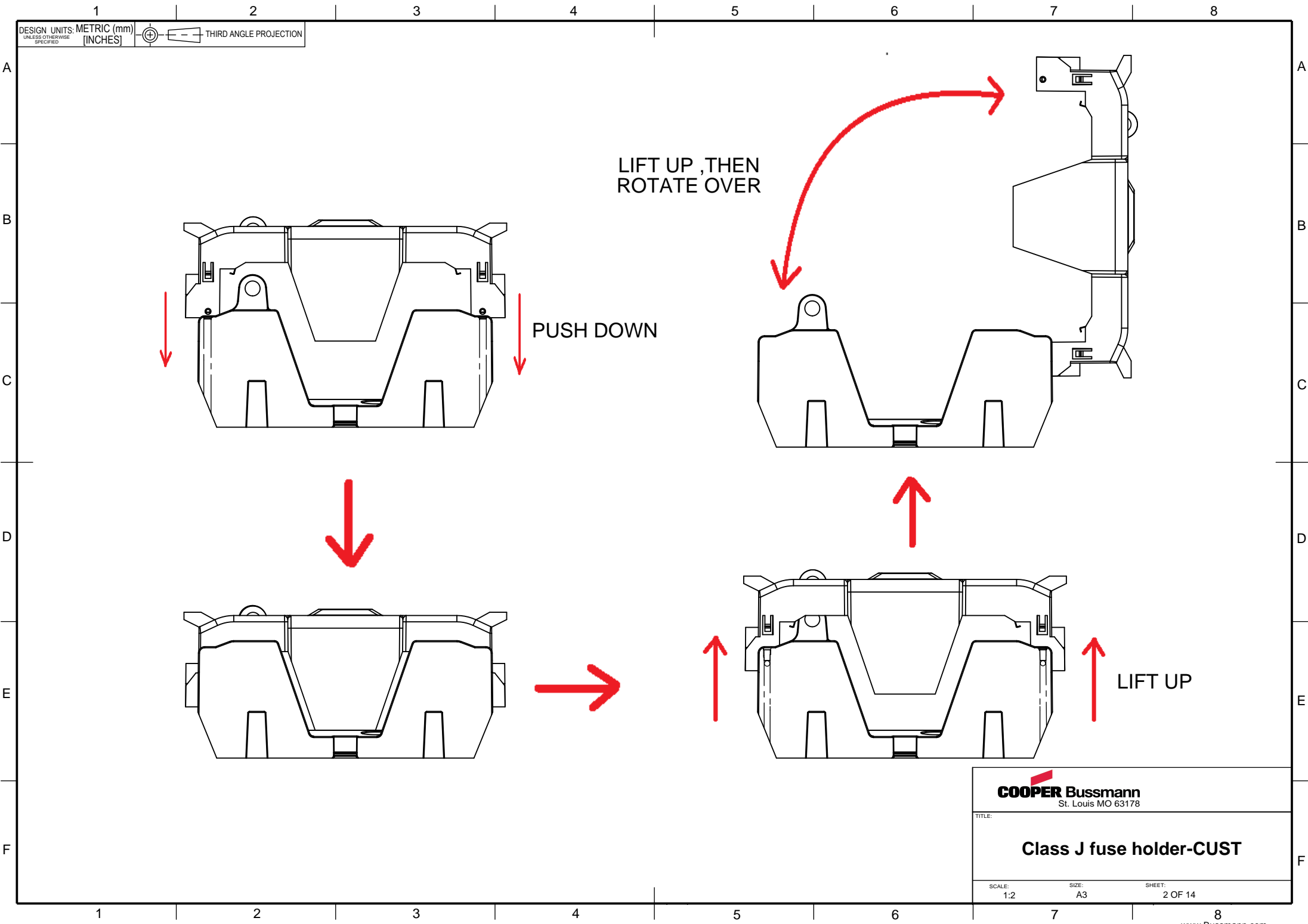
TITLE:

Class J fuse holder-CUST

SCALE:
1:5

SIZE:
A3

SHEET:
1 OF 14

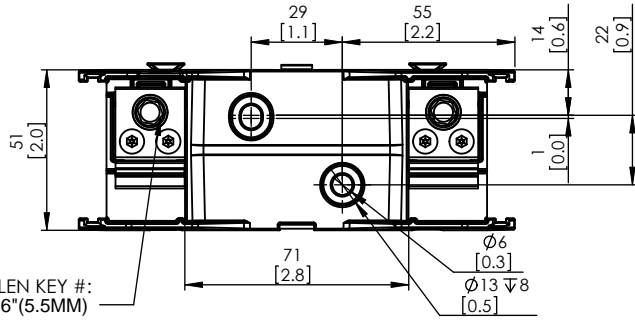


COOPER Bussmann
St. Louis MO 63178

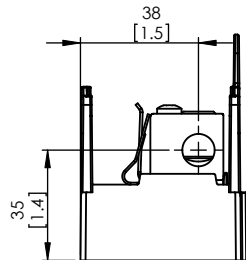
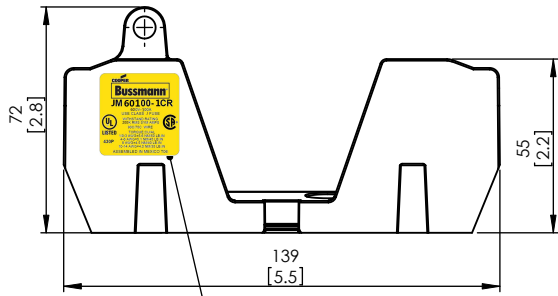
TITLE:
Class J fuse holder-CUST

SCALE: 1:2 SIZE: A3 SHEET: 2 OF 14

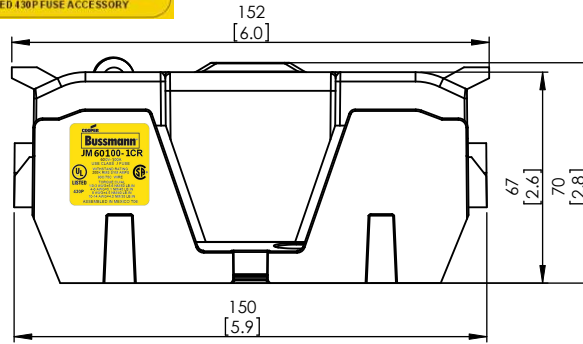
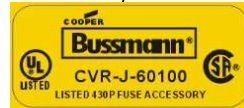
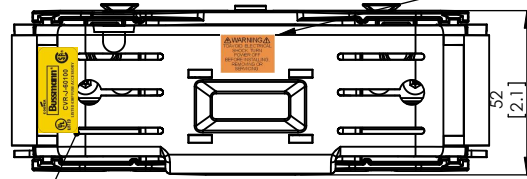
JM60100-1CR



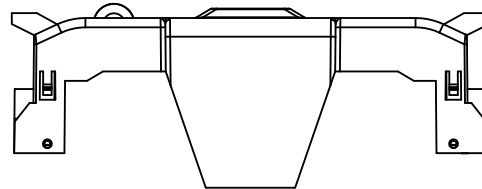
ALLEN KEY #: 3/16" (5.5MM)



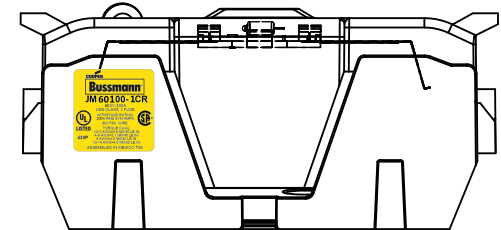
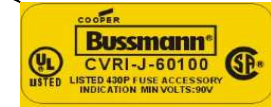
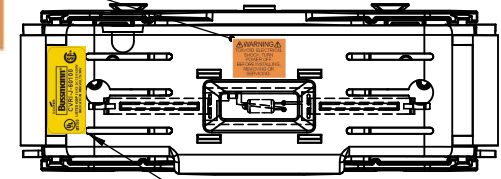
JM60100-1CR WITH CVR-J-60100 INSTALLED



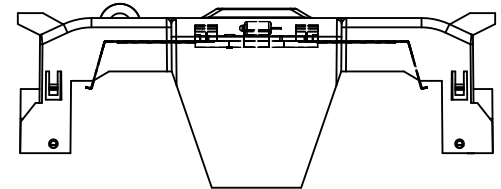
CVR-J-60100



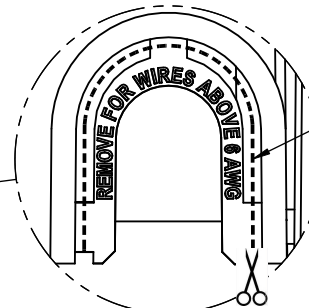
JM60100-1CR WITH CVRI-J-60100 INSTALLED



CVRI-J-60100



WARNING
TO AVOID ELECTRICAL SHOCK, TURN POWER OFF BEFORE INSTALLING, REMOVING OR SERVICING.



COOPER Bussmann
St. Louis MO 63178

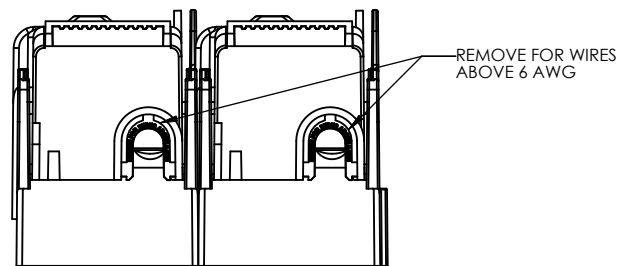
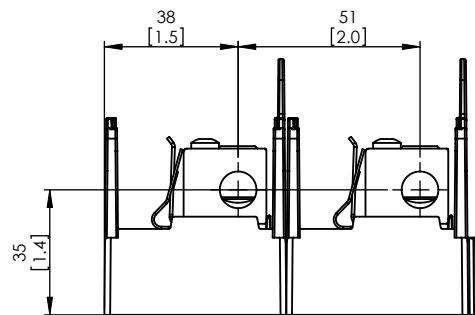
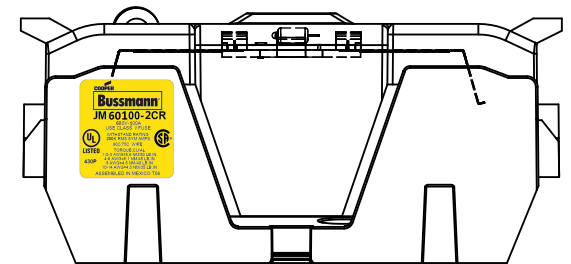
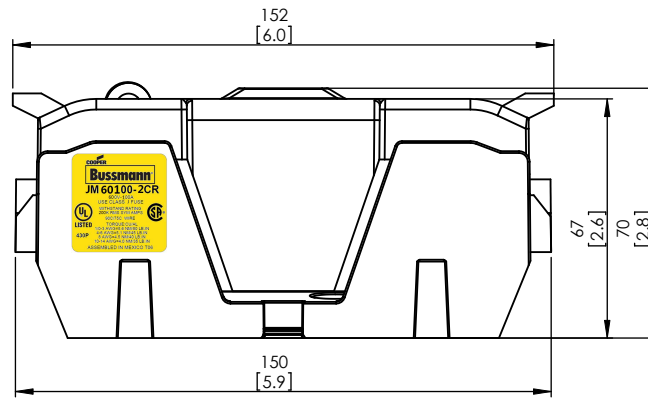
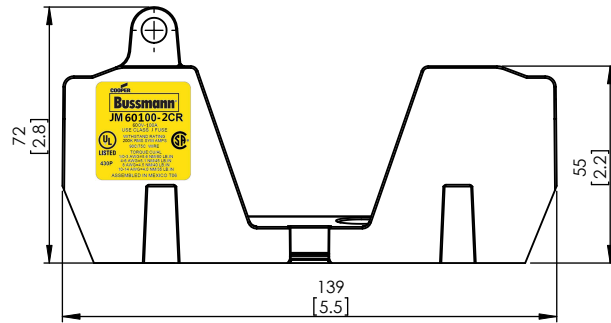
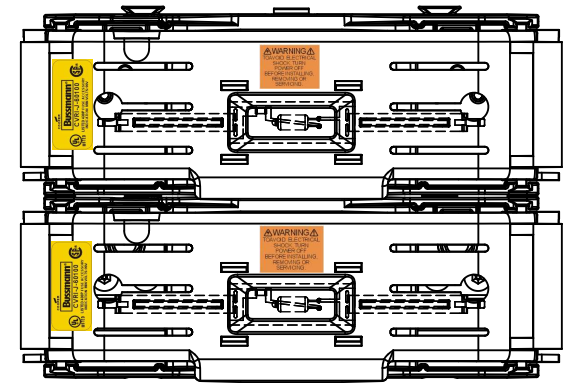
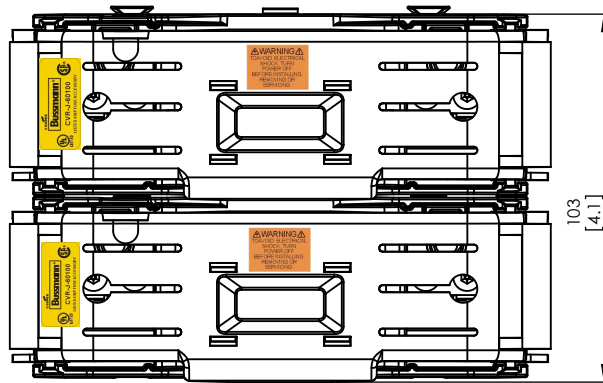
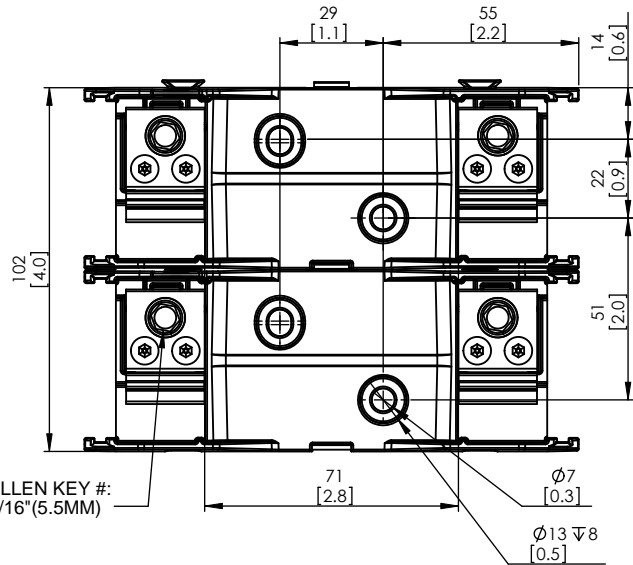
Class J fuse holder-CUST

SCALE: 1:1 SIZE: A3 SHEET: 3 OF 14

JM60100-2CR

**JM60100-2CR
WITH CVR-J-60100 INSTALLED**

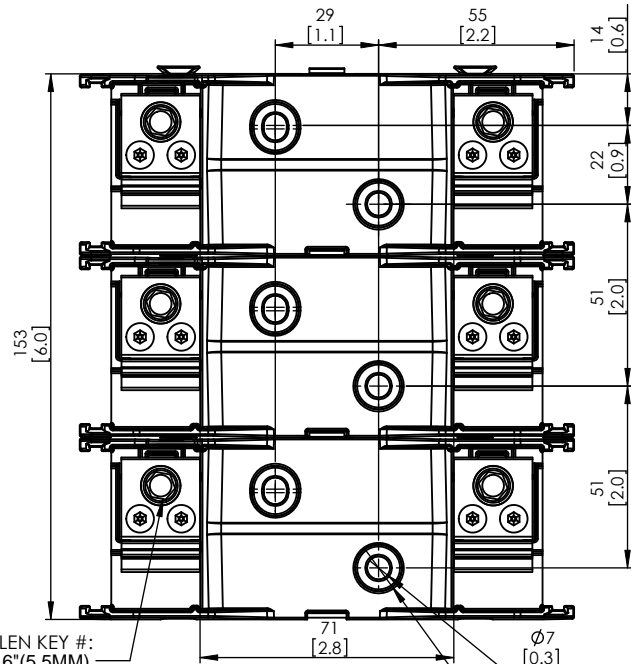
**JM60100-2CR
WITH CVRI-J-60100 INSTALLED**



DESIGN UNITS: METRIC (mm)
UNLESS OTHERWISE SPECIFIED [INCHES]



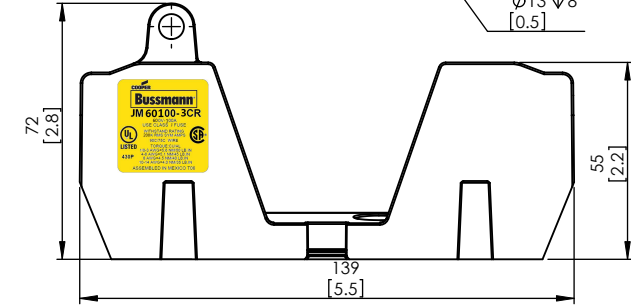
JM60100-3CR



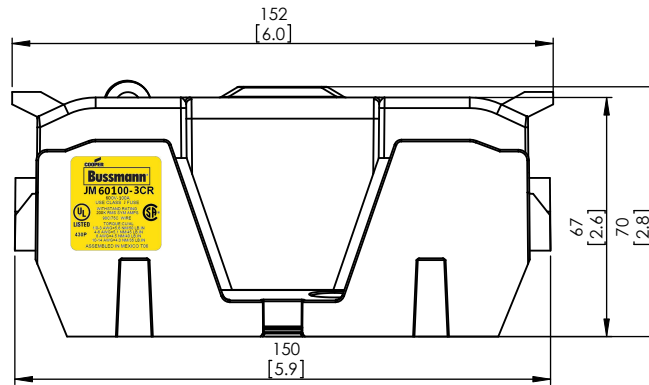
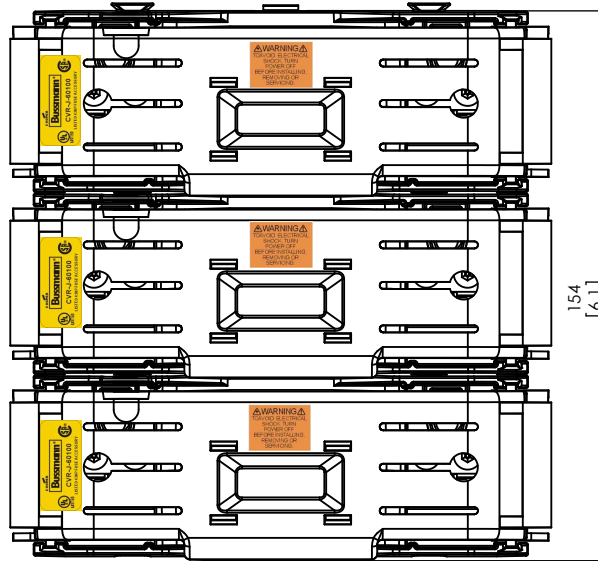
ALLEN KEY #:
3/16" (5.5MM)

Ø7 [0.3]

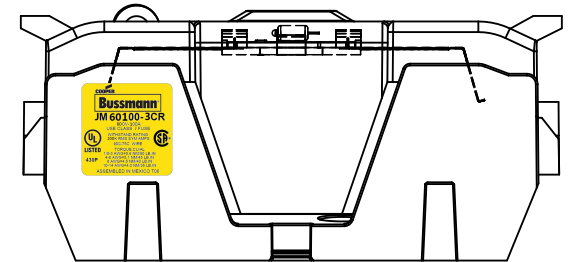
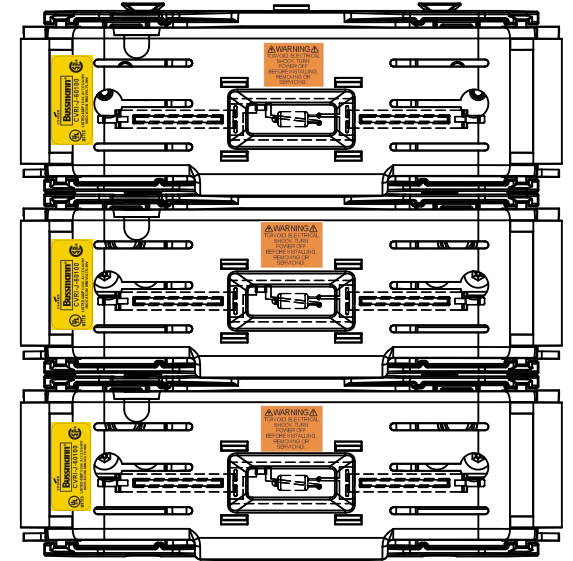
Ø13 ∇ 8 [0.5]



**JM60100-3CR
WITH CVR-J-60100 INSTALLED**



**JM60100-3CR
WITH CVRI-J-60100 INSTALLED**



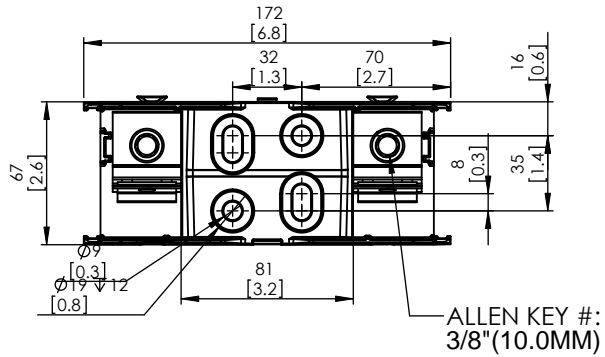
REMOVE FOR WIRES
ABOVE 6 AWG

COOPER Bussmann
St. Louis MO 63178

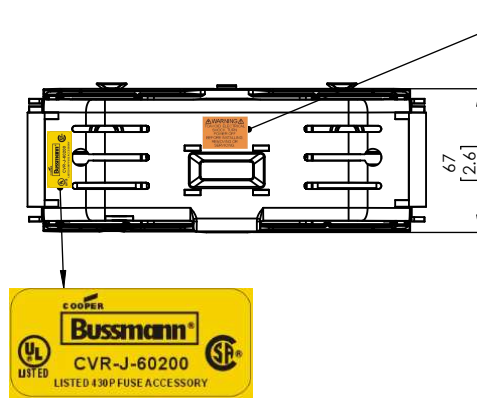
Class J fuse holder-CUST

SCALE: 1:1 SIZE: A3 SHEET: 5 OF 14

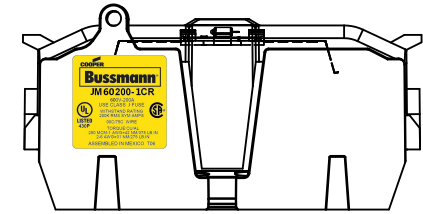
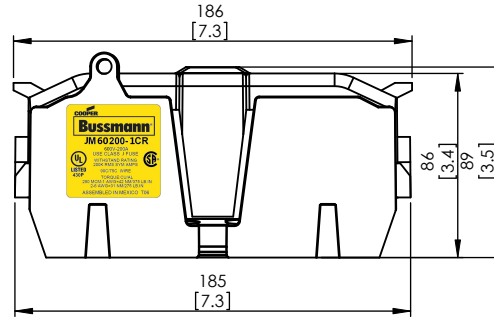
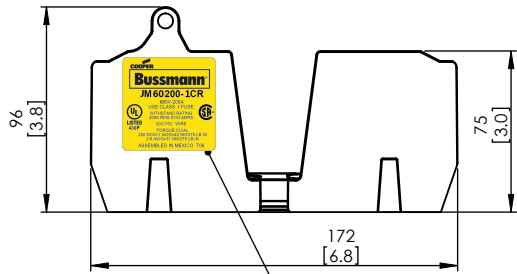
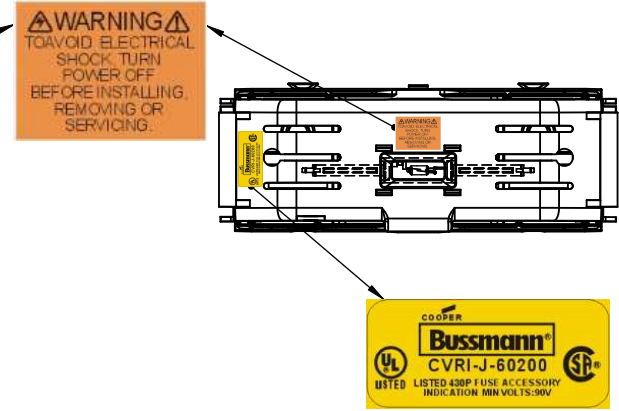
JM60200-1CR



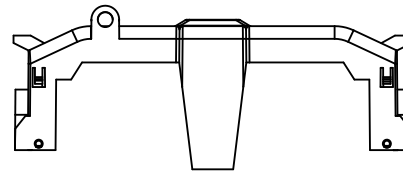
JM60200-1CR WITH CVR-J-60200 INSTALLED



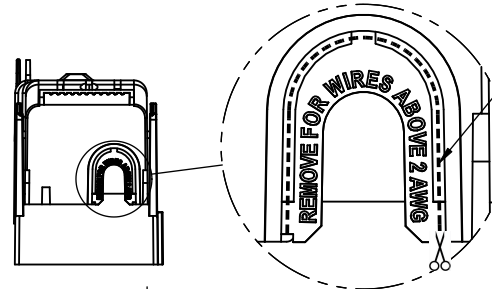
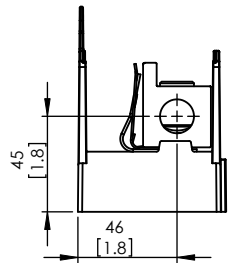
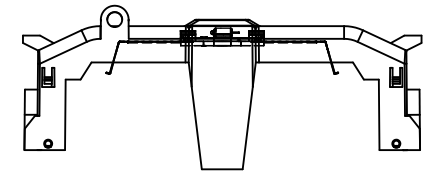
JM60200-1CR WITH CVRI-J-60200 INSTALLED



CVR-J-60200



CVRI-J-60200

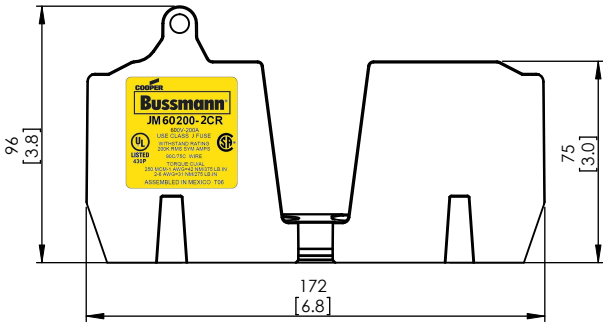
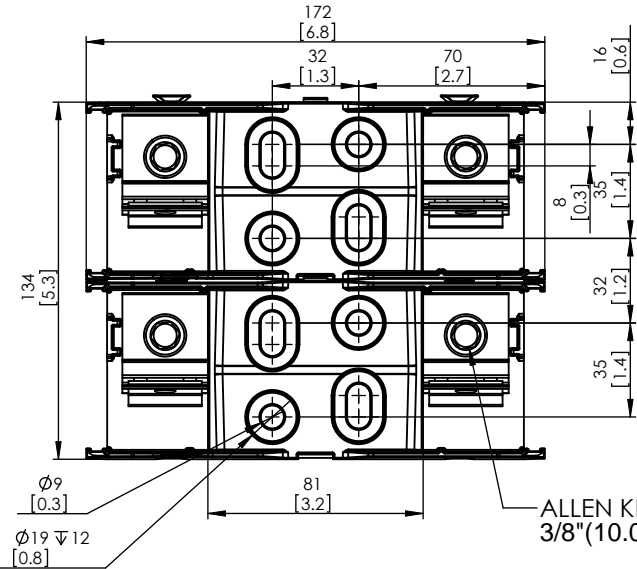


COOPER Bussmann
 St. Louis MO 63178

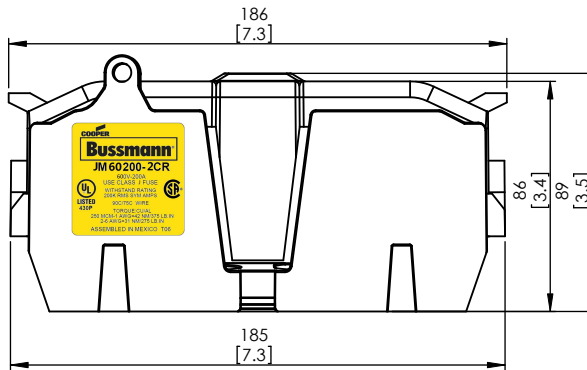
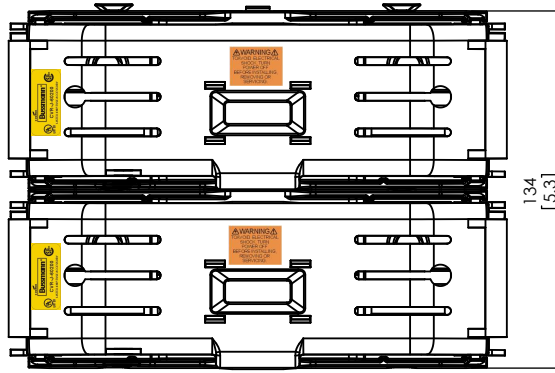
Class J fuse holder-CUST

SCALE: 1:2 SIZE: A3 SHEET: 6 OF 14

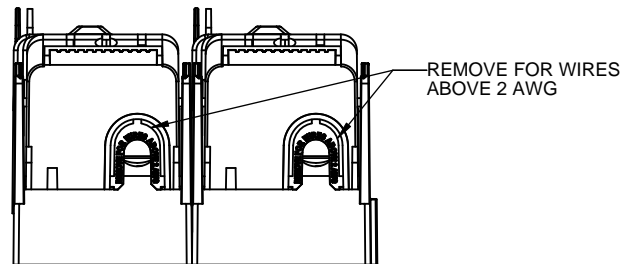
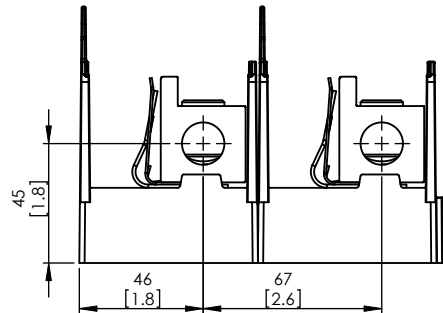
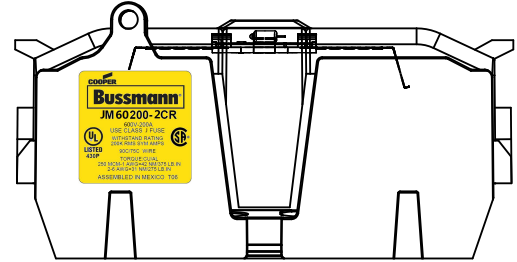
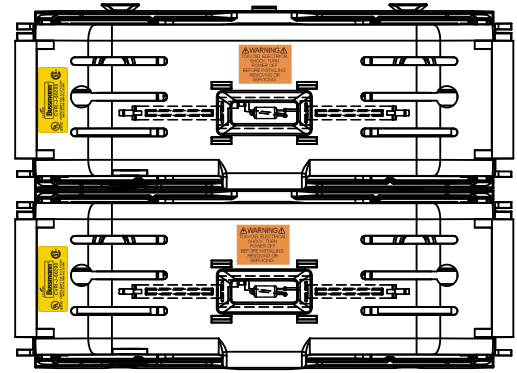
JM60200-2CR



JM60200-2CR WITH CVR-J-60200 INSTALLED



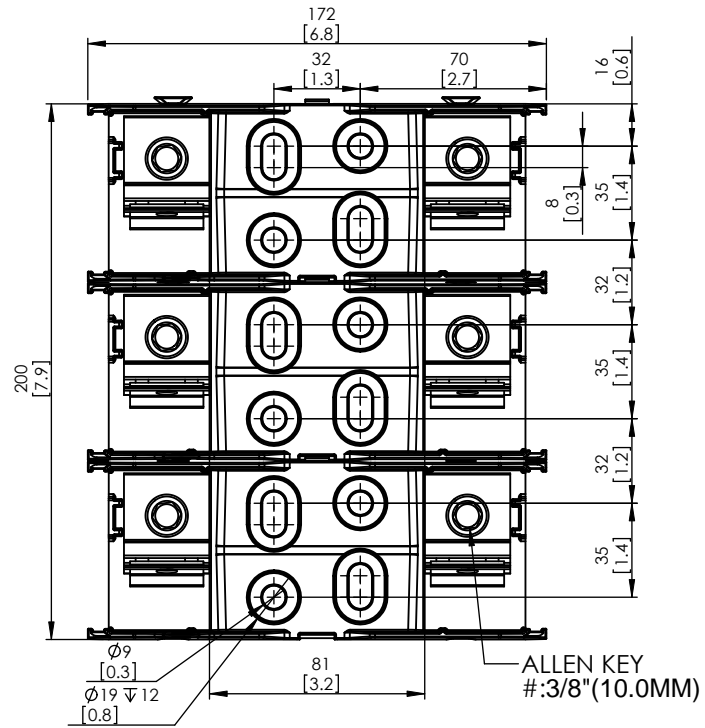
JM60200-2CR WITH CVRI-J-60200 INSTALLED



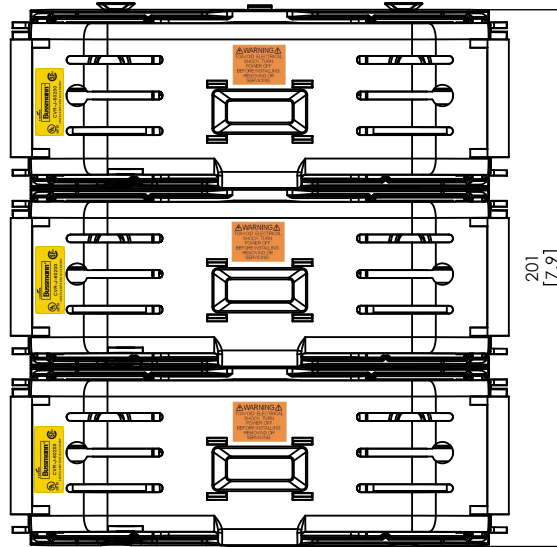
DESIGN UNITS: METRIC (mm)
UNLESS OTHERWISE SPECIFIED
[INCHES]



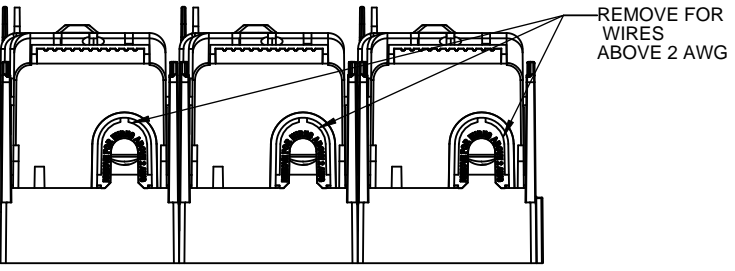
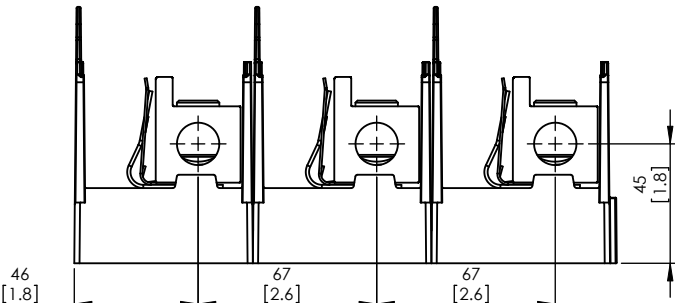
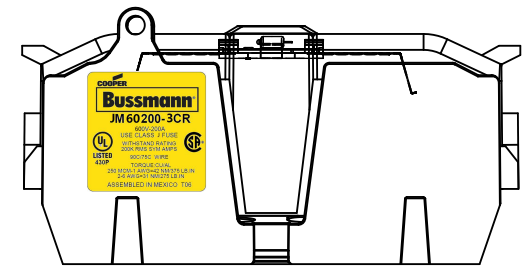
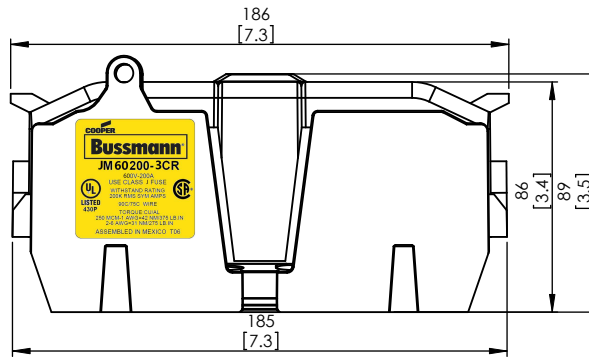
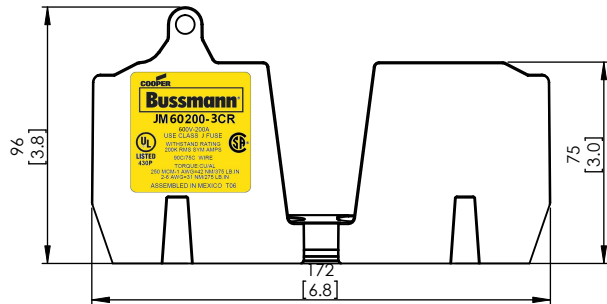
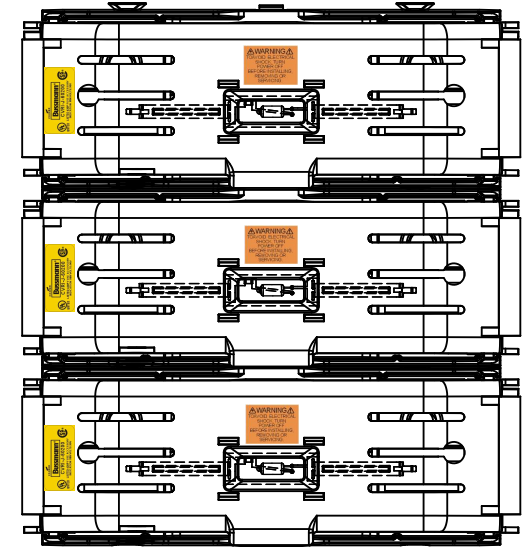
JM60200-3CR



**JM60200-3CR
WITH CVR-J-60200 INSTALLED**



**JM60200-3CR
WITH CVRI-J-60200 INSTALLED**

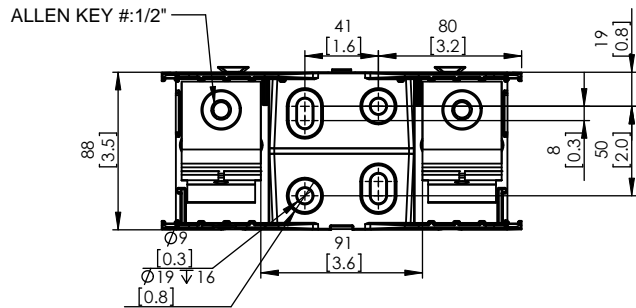


COOPER Bussmann
St. Louis MO 63178

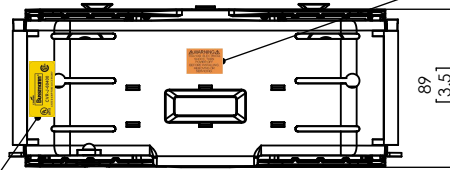
TITLE:
Class J fuse holder-CUST

SCALE: 1:2 SIZE: A3 SHEET: 8 OF 14

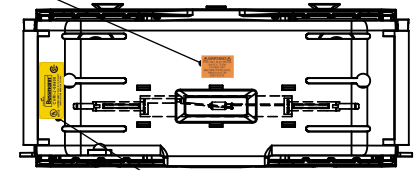
JM60400-1CR



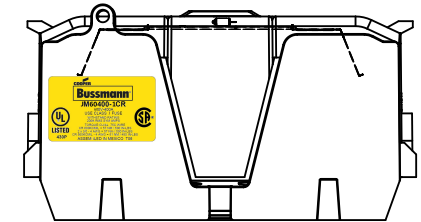
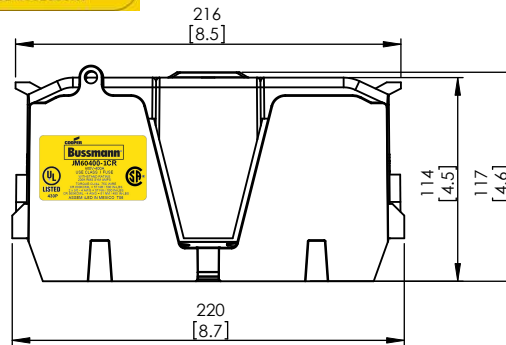
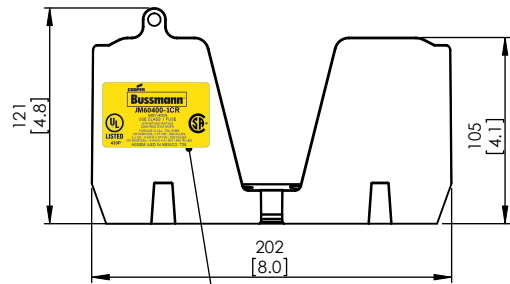
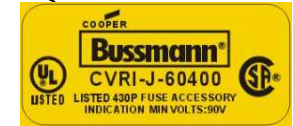
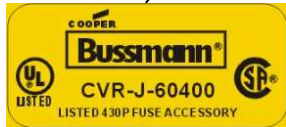
JM60400-1CR WITH CVR-J-60400 INSTALLED



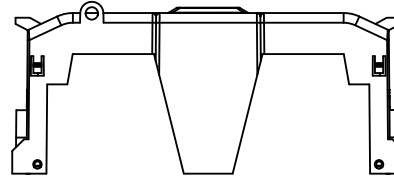
JM60400-1CR WITH CVRI-J-60400 INSTALLED



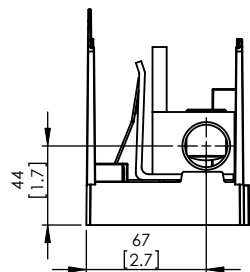
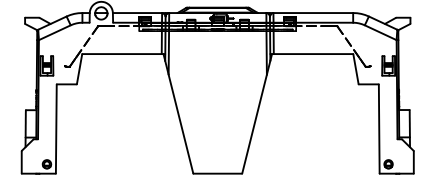
WARNING
TO AVOID ELECTRICAL SHOCK, TURN POWER OFF BEFORE INSTALLING, REMOVING OR SERVICING.



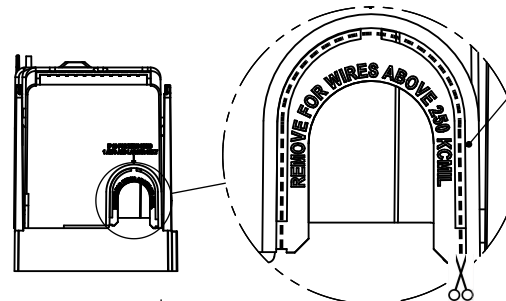
CVR-J-60400



CVRI-J-60400



CUT OPEN ALONG THIS DOTTED LINE FOR WIRES ABOVE 250 KCMIL



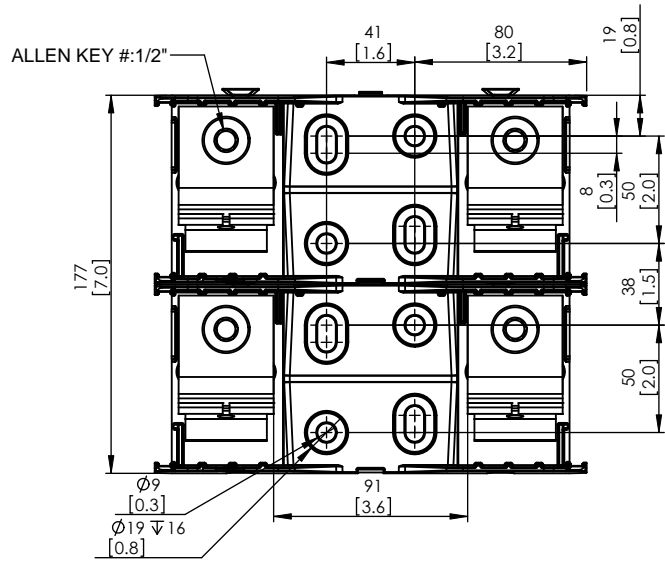
COOPER Bussmann
St. Louis MO 63178

Class J fuse holder-CUST

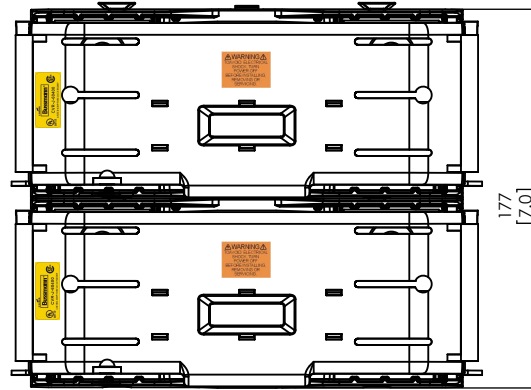
SCALE: 1:5 SIZE: A3 SHEET: 9 OF 14



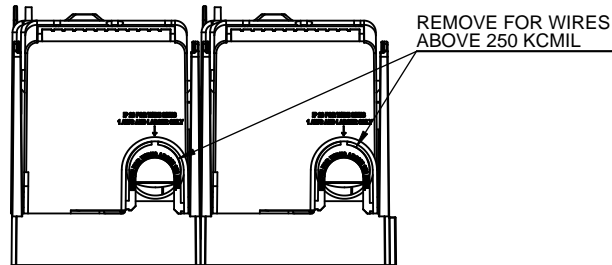
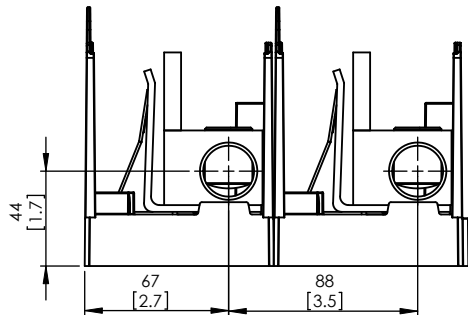
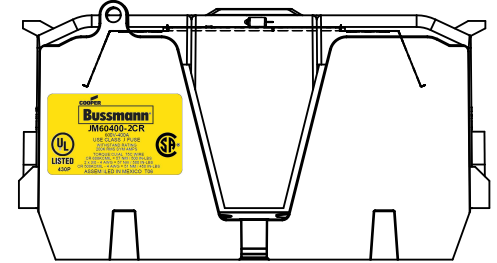
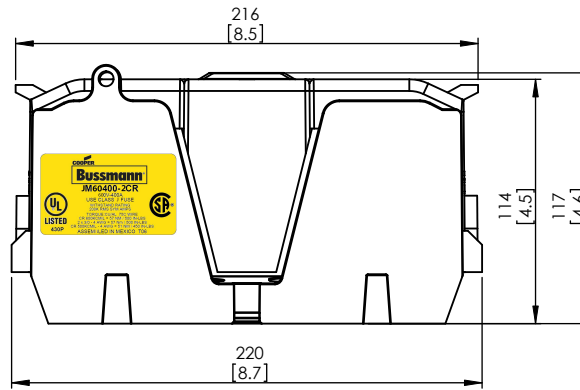
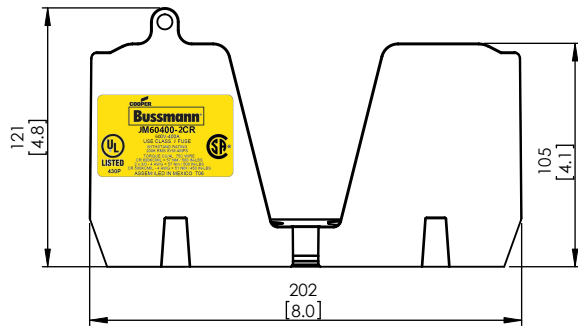
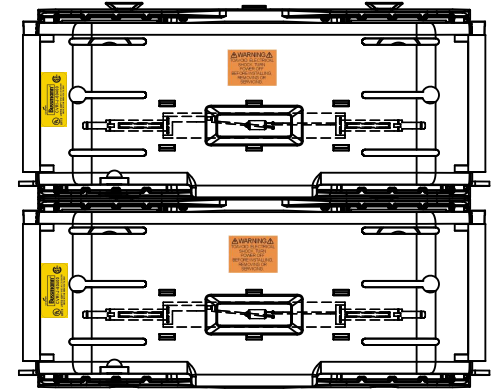
JM60400-2CR



**JM60400-2CR
WITH CVR-J-60400 INSTALLED**



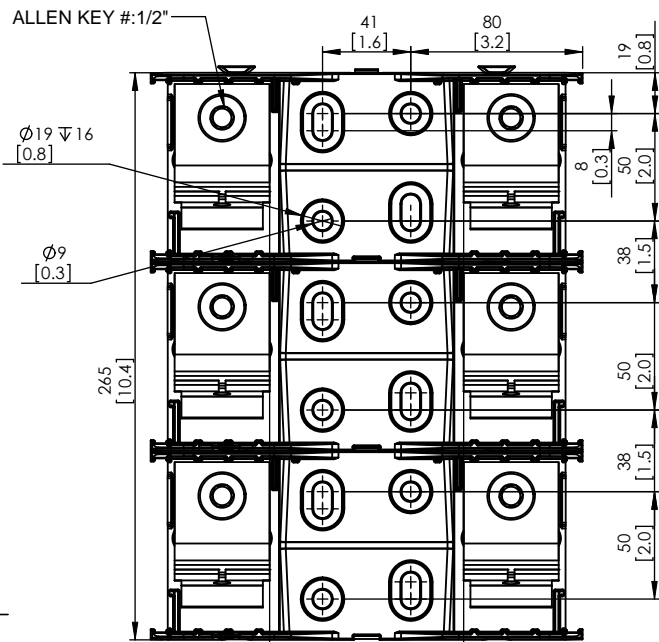
**JM60400-2CR
WITH CVRI-J-60400 INSTALLED**



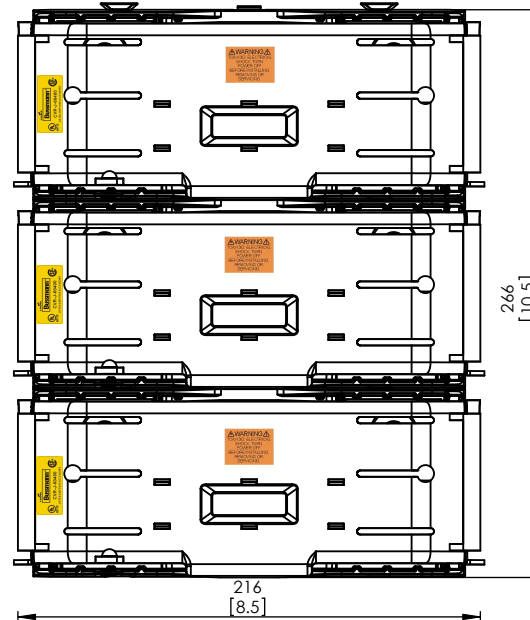
DESIGN UNITS: METRIC (mm)
UNLESS OTHERWISE SPECIFIED
[INCHES]



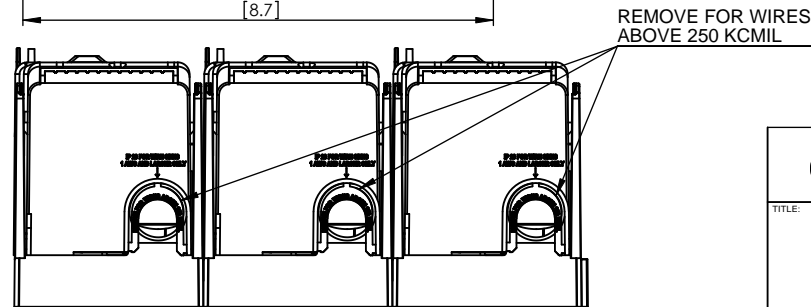
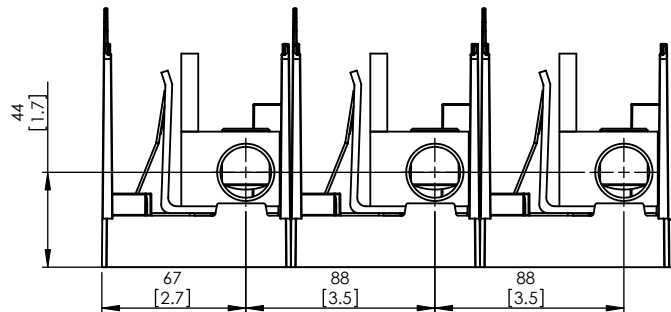
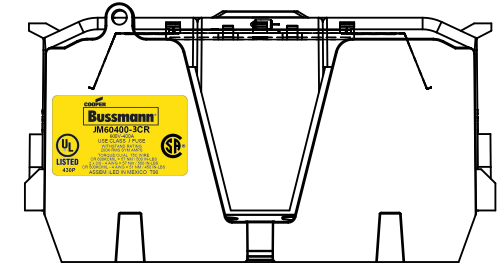
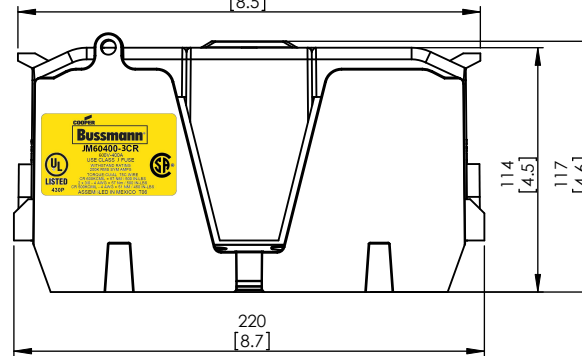
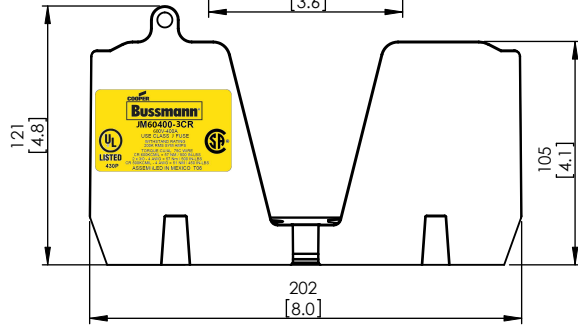
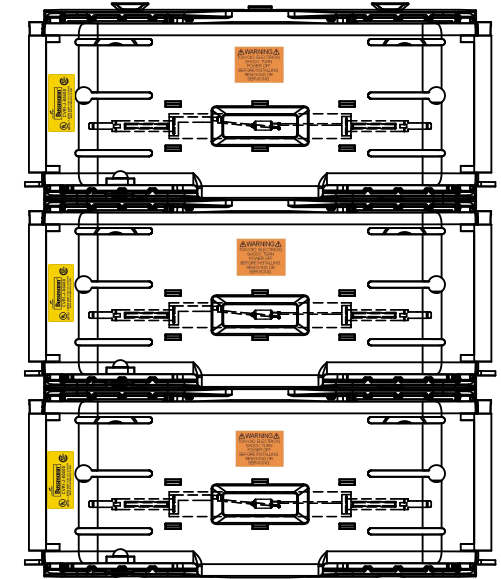
JM60400-3CR



**JM60400-3CR
WITH CVR-J-60400 INSTALLED**



**JM60400-3CR
WITH CVRI-J-60400 INSTALLED**

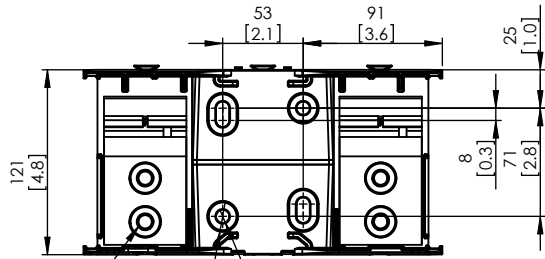


COOPER Bussmann
St. Louis MO 63178

TITLE:
Class J fuse holder-CUST

SCALE: 1:5 SIZE: A3 SHEET: 11 OF 14

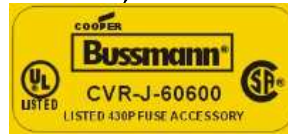
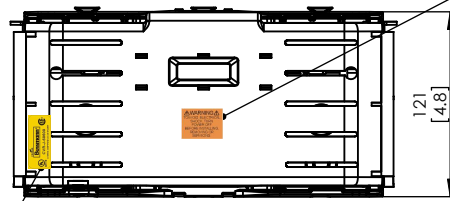
JM60600-1CR



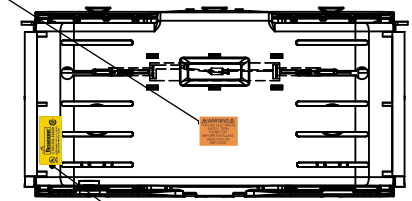
ALLEN KEY #: 3/8" (10.0MM)



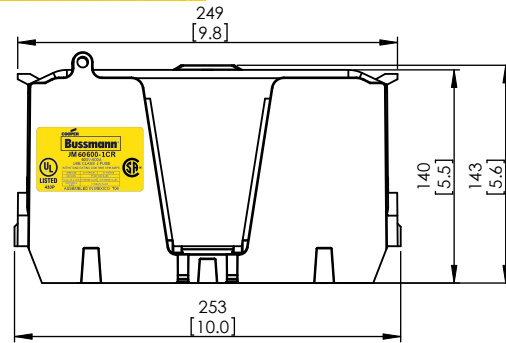
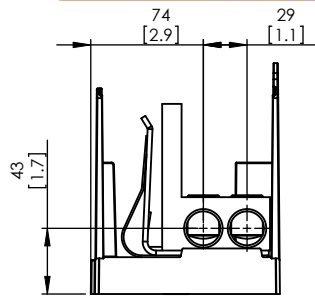
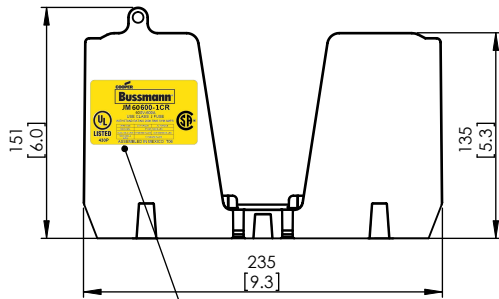
JM60600-1CR WITH CVR-J-60600 INSTALLED



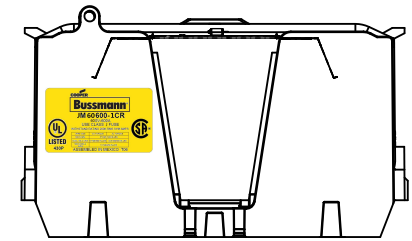
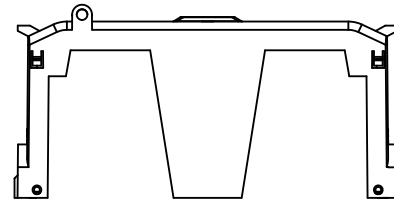
JM60600-1CR WITH CVRI-J-60600 INSTALLED



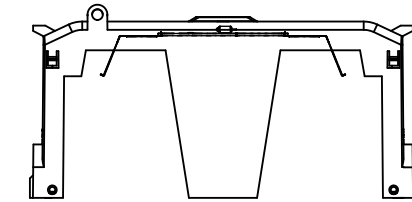
WARNING
 TO AVOID ELECTRICAL SHOCK, TURN POWER OFF BEFORE INSTALLING, REMOVING OR SERVICING.



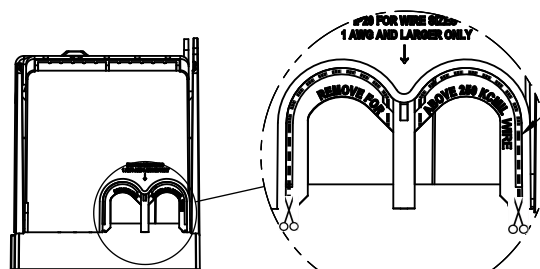
CVR-J-60600



CVRI-J-60600



CUT OPEN ALONG THIS DOTTED LINE FOR WIRES ABOVE 250 KCMIL

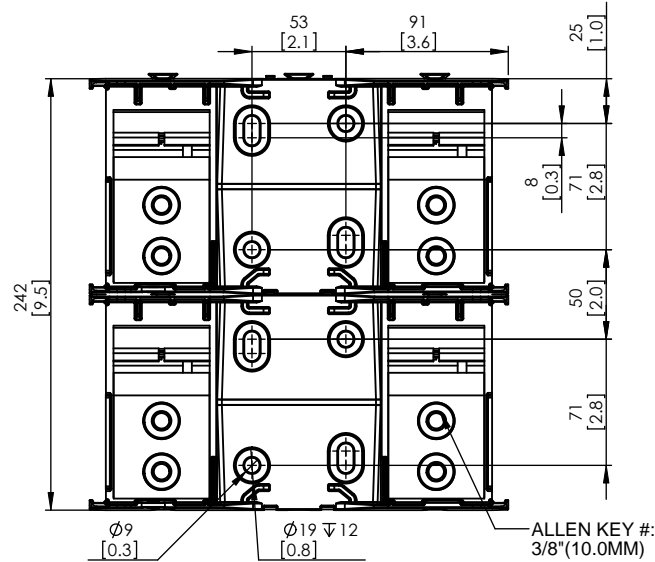


COOPER Bussmann
 St. Louis MO 63178

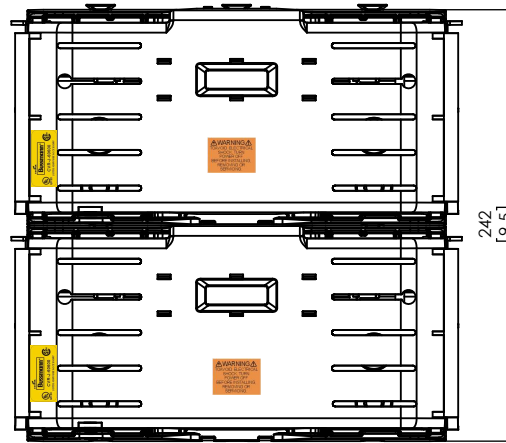
Class J fuse holder-CUST

SCALE: 1:5 SIZE: A3 SHEET: 12 OF 14

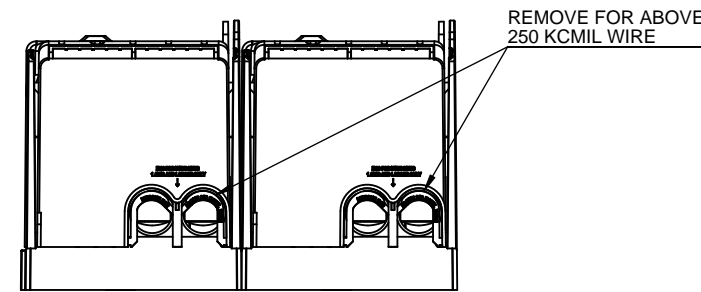
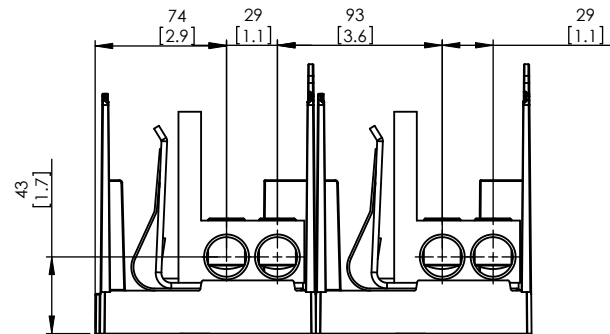
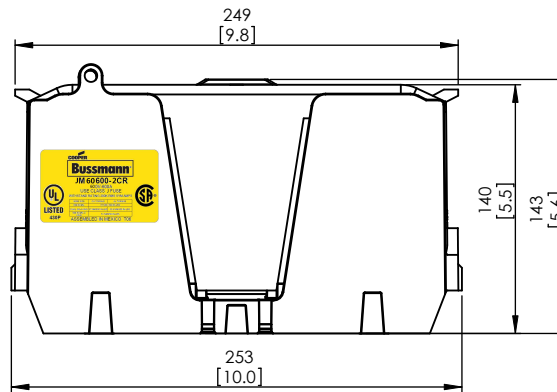
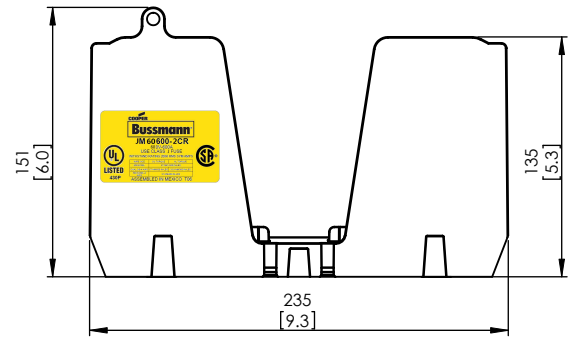
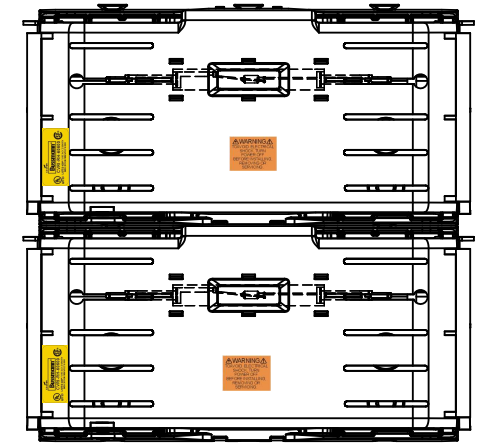
JM60600-2CR



**JM60600-2CR
WITH CVR-J-60600 INSTALLED**



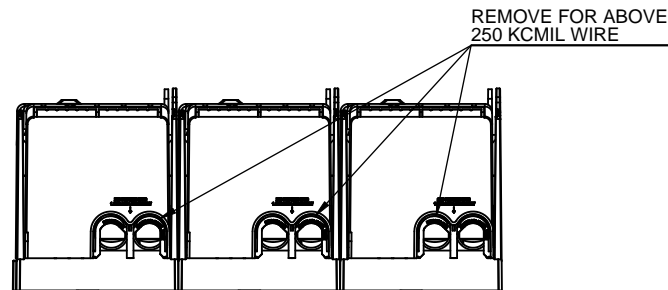
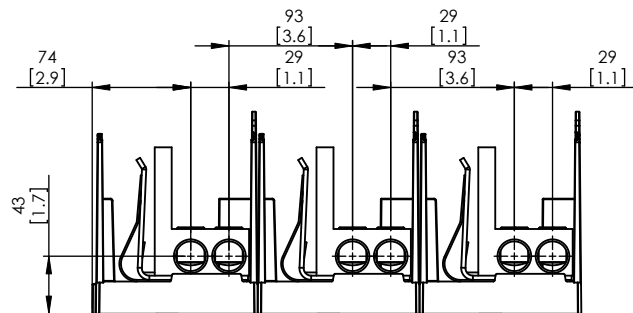
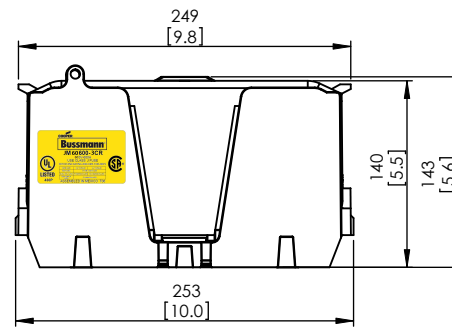
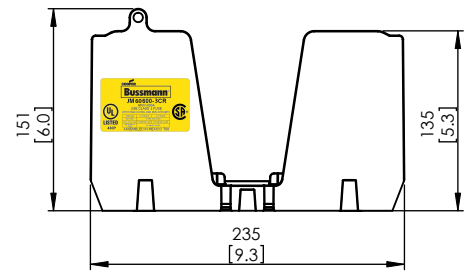
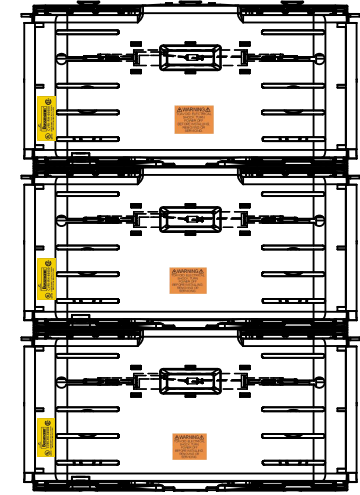
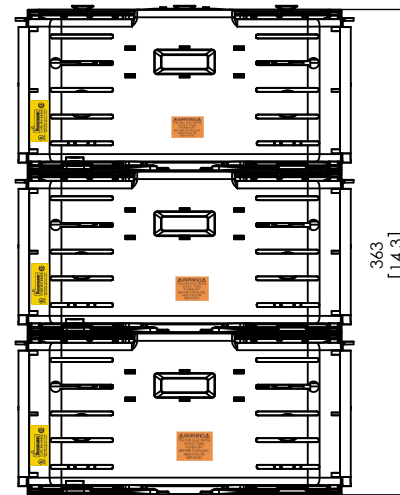
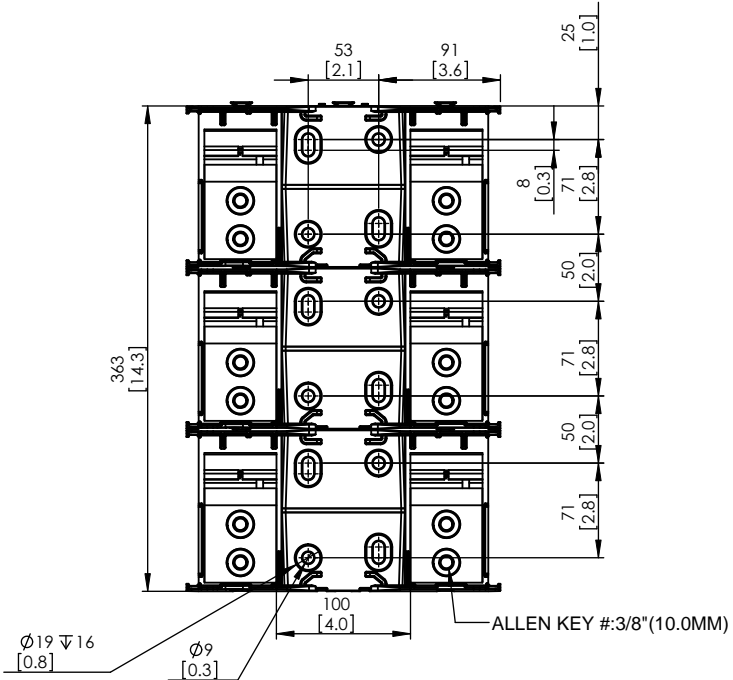
**JM60600-2CR
WITH CVRI-J-60600 INSTALLED**



JM60600-3CR

**JM60600-3CR
WITH CVR-J-60600 INSTALLED**

**JM60600-3CR
WITH CVRI-J-60600 INSTALLED**



COOPER Bussmann
St. Louis MO 63178

TITLE:
Class J fuse holder-CUST

SCALE: 1:5 SIZE: A3 SHEET: 14 OF 14

www.Bussmann.com