



Chipsmall Limited consists of a professional team with an average of over 10 year of expertise in the distribution of electronic components. Based in Hongkong, we have already established firm and mutual-benefit business relationships with customers from,Europe,America and south Asia,supplying obsolete and hard-to-find components to meet their specific needs.

With the principle of “Quality Parts,Customers Priority,Honest Operation,and Considerate Service”,our business mainly focus on the distribution of electronic components. Line cards we deal with include Microchip,ALPS,ROHM,Xilinx,Pulse,ON,Everlight and Freescale. Main products comprise IC,Modules,Potentiometer,IC Socket,Relay,Connector.Our parts cover such applications as commercial,industrial, and automotives areas.

We are looking forward to setting up business relationship with you and hope to provide you with the best service and solution. Let us make a better world for our industry!



## Contact us

Tel: +86-755-8981 8866 Fax: +86-755-8427 6832

Email & Skype: info@chipsmall.com Web: www.chipsmall.com

Address: A1208, Overseas Decoration Building, #122 Zhenhua RD., Futian, Shenzhen, China



THIS COPY IS PROVIDED ON A RESTRICTED BASIS AND IS NOT TO BE USED IN ANY WAY DETRIMENTAL TO THE INTERESTS OF PANDUIT CORP.

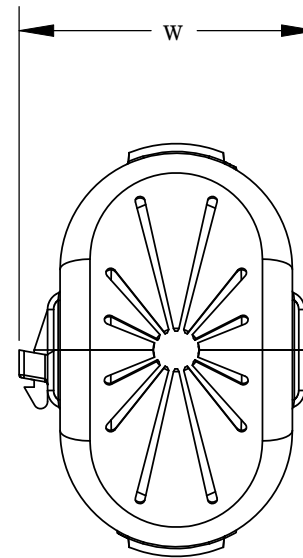
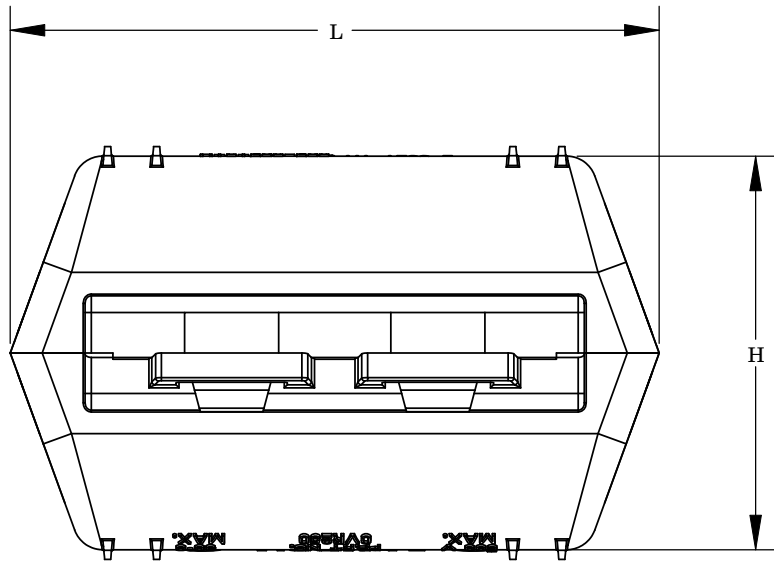
NOTES:

1. MATERIAL: LOW DENSITY BLACK POLYPROPYLENE
2. UL LISTED AND CSA CERTIFIED
  - WHEN USED WITH SPECIFIED HTAPS
  - MAXIMUM TEMPERATURE RATING: 90 ° C
  - VOLTAGE RATING OF COVER: 600V



PANDUIT PART NUMBER	DIMENSIONS - IN [mm]			TO BE USED WITH HTAP PART NUMBERS	*TO BE USED WITH CTAP PART NUMBERS
	L	W	H		
CVR6-1	2.00 [50.8]	1.20 [30.5]	1.26 [32.0]	N/A	CTAP4-8, CTAP4-6, CTAP4-4
CVR2-1	3.38 [85.9]	1.40 [35.6]	2.00 [50.8]	HTCT2-2	CTAP2-4, CTAP2-2, CTAP2/0-2
CVR250-1	3.38 [85.9]	1.55 [39.4]	2.05 [52.1]	HTCT250-250	CTAP2/0-2/0
CVR500-1	3.86 [98.0]	1.97 [50.0]	2.66 [67.6]	N/A	CTAP4/0-2, CTAP4/0-2/0, CTAP4/0-4/0
CVR1000-1	5.62 [142.7]	2.45 [62.2]	3.72 [94.5]	N/A	N/A

\*NOTE: COVERS ARE NOT UL LISTED FOR USE WITH CTAP CONNECTORS



REV	DATE	BY	CHK	DESCRIPTION	ECN	-R	SUP
04	1/11	JHNU	JHNU	ADDED NOTE TO SPECIFY PART IS NOT UL LISTED FOR USE WITH CTAP CONNECTORS	N41315BA-C41315	FLD	FLD
03	12/10	JHNU	JHNU	REVISED AGENCY LOGO	N41315BA-C41315	FLD	FLD
02	7/10	JHNU	JHNU	REMOVED HTCT8-8, HTCT6-6 FROM TABLE			
01	11/09	JHNU	JHNU	ADDED CVR6, CVR2, CVR500, & CVR1000 REVISED NOTES, ADDED TABLE			
00	8/09	JHNU	JHNU	DRAWING RELEASED			

**PANDUIT** CORP. TINLEY PARK, ILLINOIS

**CVR H-TAP COVERS  
CUSTOMER DRAWING**

UNLESS OTHERWISE SPECIFIED  
DIMENSIONAL TOLERANCES ARE:  
(.X) ± (XXX) ±  
(.XX) ± ANGLES ±

UNLESS OTHERWISE SPECIFIED,  
ALL DIMENSIONS ARE GIVEN IN  
INCHES, THIRD ANGLE PROJECTION

DRAWN BY  
DATE  
CHK'D

MAT'L:

SEE  
NOTE 1  
ABOVE

SCALE N/A

DRAWING NO / CAD FILE

C41315\_04

DWG  
**A**  
SIZE