



Chipsmall Limited consists of a professional team with an average of over 10 year of expertise in the distribution of electronic components. Based in Hongkong, we have already established firm and mutual-benefit business relationships with customers from,Europe,America and south Asia,supplying obsolete and hard-to-find components to meet their specific needs.

With the principle of "Quality Parts,Customers Priority,Honest Operation,and Considerate Service",our business mainly focus on the distribution of electronic components. Line cards we deal with include Microchip,ALPS,ROHM,Xilinx,Pulse,ON,Everlight and Freescale. Main products comprise IC,Modules,Potentiometer,IC Socket,Relay,Connector.Our parts cover such applications as commercial,industrial, and automotives areas.

We are looking forward to setting up business relationship with you and hope to provide you with the best service and solution. Let us make a better world for our industry!



## Contact us

Tel: +86-755-8981 8866 Fax: +86-755-8427 6832

Email & Skype: info@chipsmall.com Web: www.chipsmall.com

Address: A1208, Overseas Decoration Building, #122 Zhenhua RD., Futian, Shenzhen, China



**MODEL:** CVS-2308 | **DESCRIPTION:** SPEAKER

**FEATURES**

- plastic frame
- mylar cone
- plastic case



**SPECIFICATIONS**

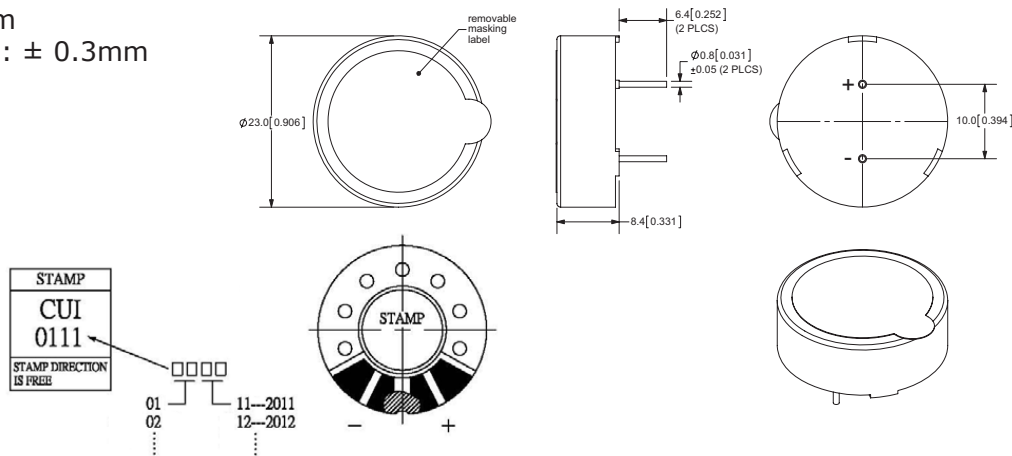
parameter	conditions/description	min	typ	max	units
diameter			23		mm
depth			15		mm
input power	max. power: IEC-60268-5, filter 60 s on / 120 s off, 10 cycles at room temp		0.1	0.15	W
impedance	at 2 kHz, 1 V	6.8	8	9.2	Ω
resonant frequency	at 1 V	1,200	1,500	1,800	Hz
sound pressure level	0.1 W, 10 cm ave. at 2.0, 2.5, 3.0, 4.0 kHz 1 W, 1 m ave. at 2.0, 2.5, 3.0, 4.0 kHz	85 74	88 77	91 80	dB dB
response				6,000	Hz
distortion	at 2 kHz, 0.1 W			10	%
buzz, rattle, etc.	must be normal at sine wave 0.89 V				
magnet size	ø6.5 x 1.5 mm				
operating temperature		-20		55	°C
weight			3.2		g
material	ABS UL-94 1/16" HB (black)				
washable	yes				
RoHS	yes				

**SOLDERABILITY**

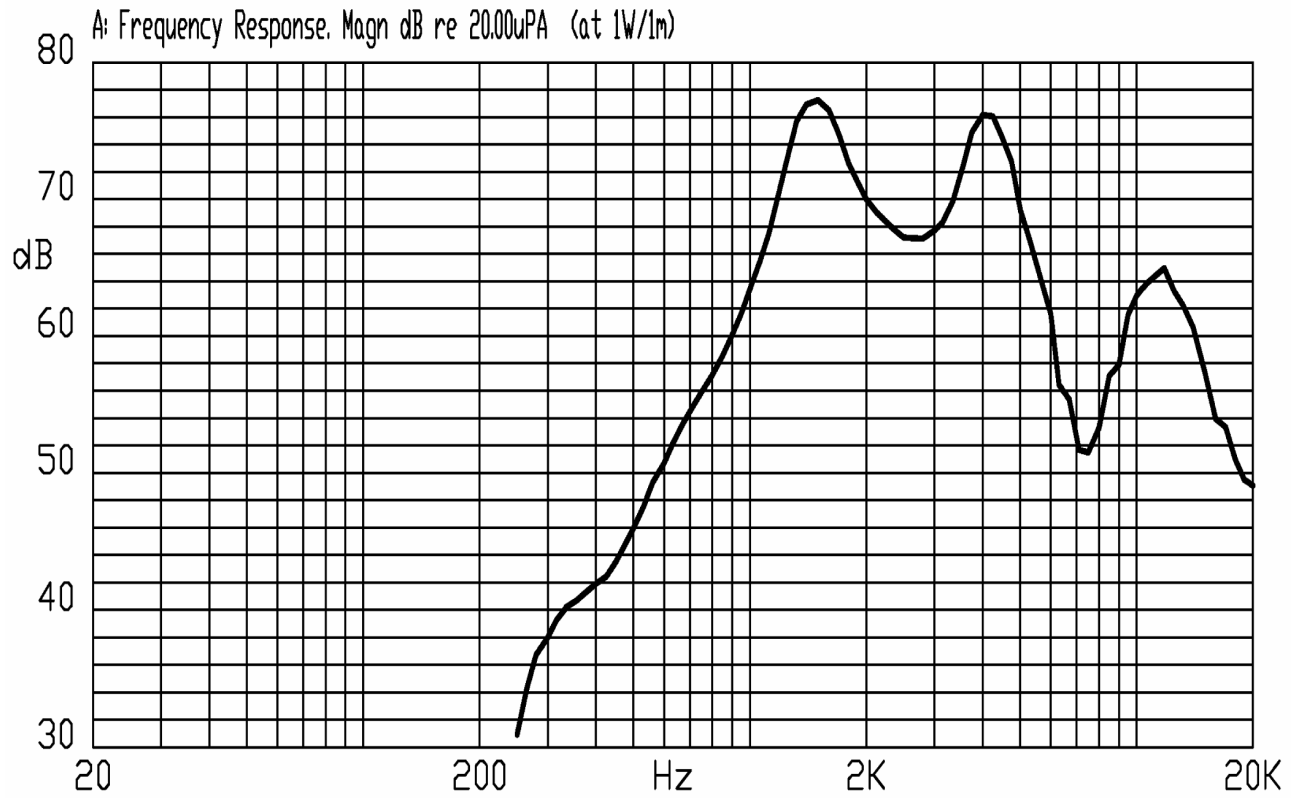
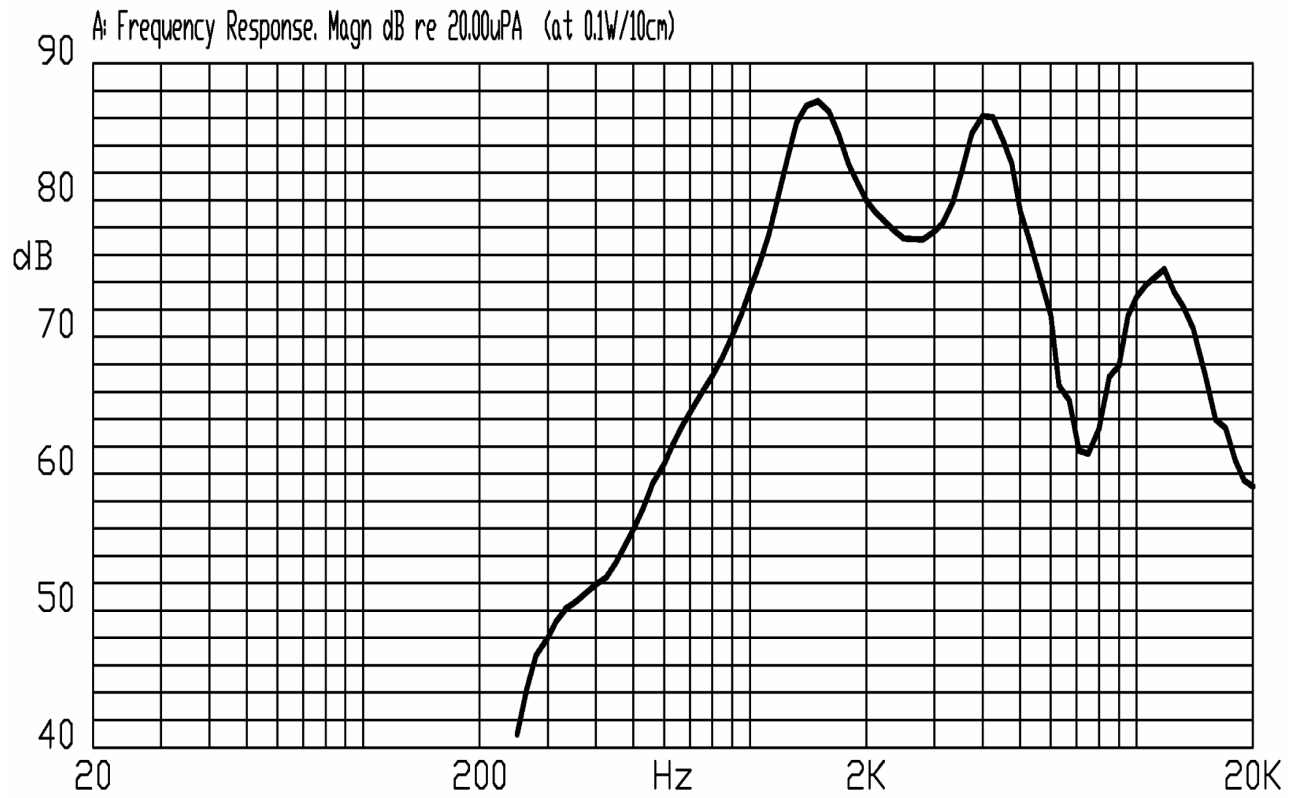
parameter	conditions/description
hand soldering	350 ±5°C for 5 seconds

**MECHANICAL DRAWING**

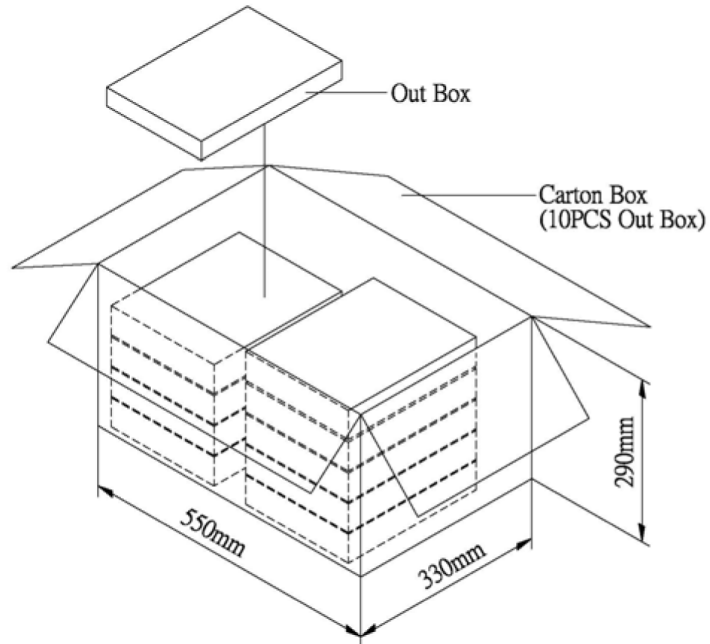
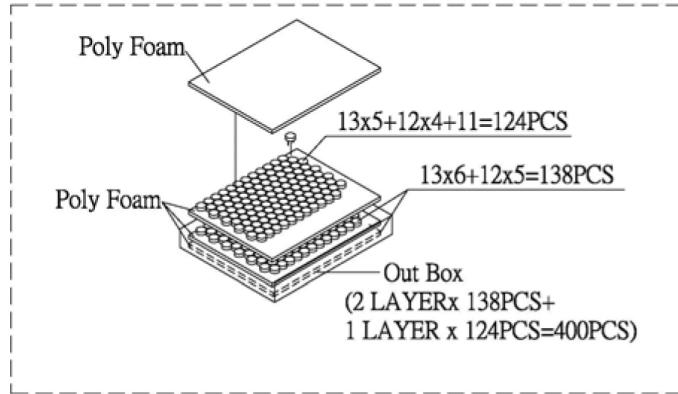
units: mm  
tolerance: ± 0.3mm



## FREQUENCY RESPONSE CURVE



## PACKAGING



Out Box	310mmx248mmx49mm	1x400PCS=400PCS
Carton Box	550mmx330mmx290mm	400PCSx10=4,000PCS



## REVISION HISTORY

---

rev.	description	date
1.0	initial release	11/15/2011

The revision history provided is for informational purposes only and is believed to be accurate.



**Headquarters**  
20050 SW 112th Ave.  
Tualatin, OR 97062  
**800.275.4899**

Fax 503.612.2383  
**cui.com**  
techsupport@cui.com

CUI offers a one (1) year limited warranty. Complete warranty information is listed on our website.

CUI reserves the right to make changes to the product at any time without notice. Information provided by CUI is believed to be accurate and reliable. However, no responsibility is assumed by CUI for its use, nor for any infringements of patents or other rights of third parties which may result from its use.

CUI products are not authorized or warranted for use as critical components in equipment that requires an extremely high level of reliability. A critical component is any component of a life support device or system whose failure to perform can be reasonably expected to cause the failure of the life support device or system, or to affect its safety or effectiveness.