



Chipsmall Limited consists of a professional team with an average of over 10 year of expertise in the distribution of electronic components. Based in Hongkong, we have already established firm and mutual-benefit business relationships with customers from,Europe,America and south Asia,supplying obsolete and hard-to-find components to meet their specific needs.

With the principle of "Quality Parts,Customers Priority,Honest Operation,and Considerate Service",our business mainly focus on the distribution of electronic components. Line cards we deal with include Microchip,ALPS,ROHM,Xilinx,Pulse,ON,Everlight and Freescale. Main products comprise IC,Modules,Potentiometer,IC Socket,Relay,Connector.Our parts cover such applications as commercial,industrial, and automotives areas.

We are looking forward to setting up business relationship with you and hope to provide you with the best service and solution. Let us make a better world for our industry!



Contact us

Tel: +86-755-8981 8866 Fax: +86-755-8427 6832

Email & Skype: info@chipsmall.com Web: www.chipsmall.com

Address: A1208, Overseas Decoration Building, #122 Zhenhua RD., Futian, Shenzhen, China

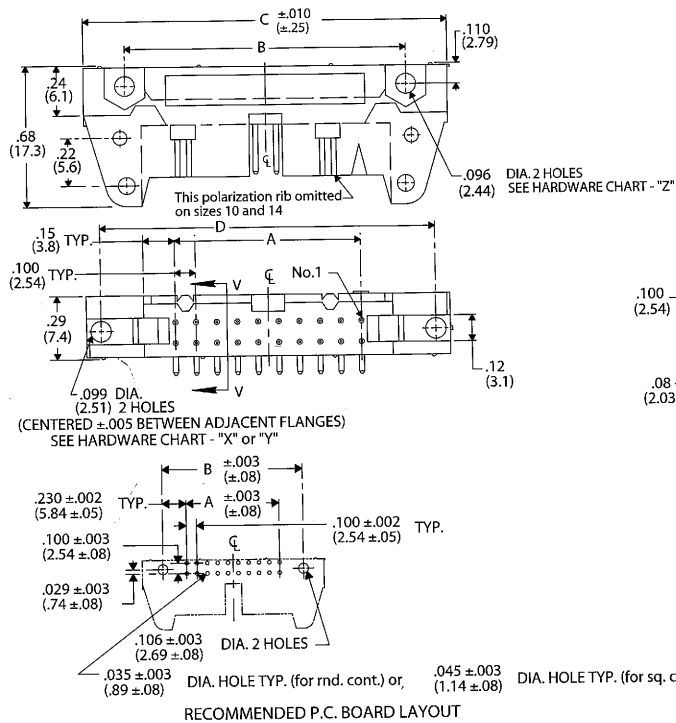


Headers

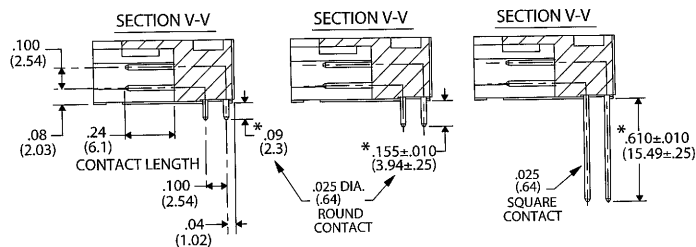
Engineering Dimensions

Dimensions

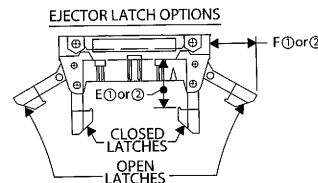
Right Angle Header



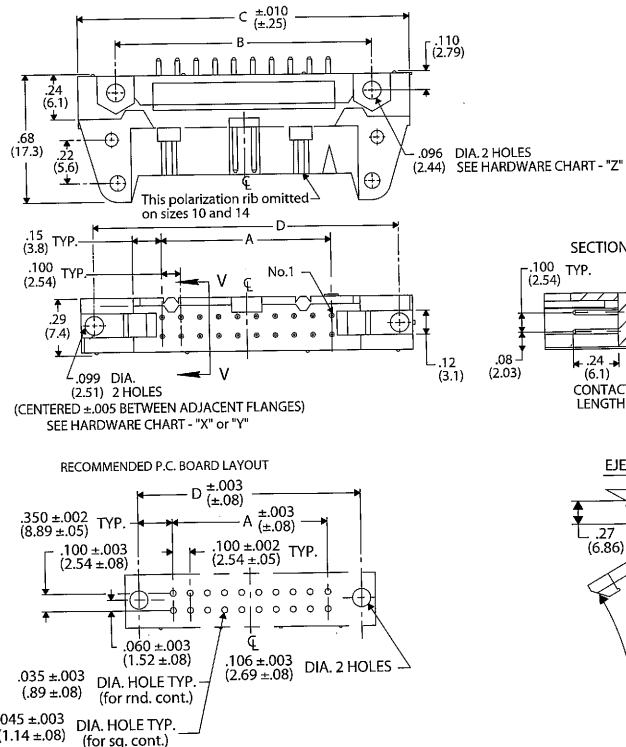
HARDWARE CHART			
TYPE	"X"	"Y"	"Z"
THREAD	2-56 UNC	1-72 UNF	2-56 UNC
HEAD	HEX.	RND.	OPT.



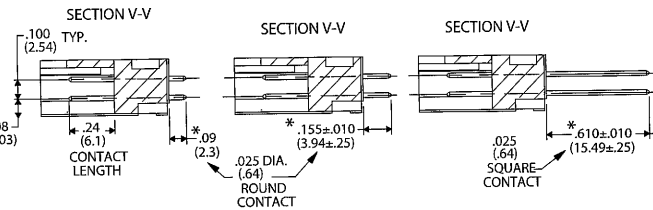
*** Contact lengths and Tolerances are different for Mil-Dtl Connectors. Consult factory for specifications.**



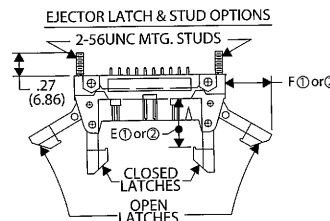
Straight Header



HARDWARE CHART			
TYPE	"X"	"Y"	"Z"
THREAD	2-56 UNC	1-72 UNF	2-56 UNC
HEAD	HEX.	RND.	OPT.



*** Contact lengths and Tolerances are different for Mil-Dtl Connectors. Consult factory for specifications.**



Specifications and Ordering Information

Specifications

- Contacts: phosphor bronze standard
- Contact Plating: 30μ in. gold (in mating area) over 50μ in. nickel, standard; 10μ gold (in mating area) over 50μ in. nickel, optional; 50μ in. gold (in mating area) over 50μ in. nickel, optional
- Insulator Material: UL 94V-0 flame - retardant thermoplastic
- Color: blue
- Operating Temperature: -55°C to +125°C
- Current Rating: 1A (maximum) per contact
- Dielectric Withstand Voltage: greater than 500 Vdc at sea level
- Insulation Resistance: greater than 5 x 10⁹ ohms
- U.S. Defense Department Mil-DTL-83503/20, 21, approved

How to Order Header Connectors

CWN-XXX-XX-XXXX

Type of Connector
 3=polarized header
 4=non-polarized header*

Pin Configuration
 0=right angle solder pins, .090" long
 1=right angle solder pins, .155" long
 2=right angle wire wrap
 5=straight solder pins, .090" long
 6=straight solder pins, .155" long
 7=straight wire wrap pins

Latches
 0=no latches
 1=short latches for non-strain relief sockets (.425")
 2=long latches for strain relief sockets (.573")

Number of Contacts
 (10, 14, 16, 20, 26, 34, 40, 50, 60)

Plating
 0021=30μ gold (in mating area) over 50μ in. nickel (standard)
 0000=10μ in. gold (in mating area) over 50μ in. nickel
 0022=50μ in. gold (in mating area) over 50μ in. nickel Mil-DTL -83503 approved.
CWN-3X2 versions only
 0077=Duplex plated, 30μ in. gold in mating area, 100μ in. tin-lead in solder pin area, all over 50μ in. nickel (optional)

HEADER DIMENSION CHART

NO. CONT'S	A	B	C	D	E _①	E _②	F _①	F _②
10	.400 (10.16)	.860 (21.84)	1.260 (32.00)	1.100 (27.94)				
14	.600 (15.24)	1.060 (26.92)	1.460 (37.08)	1.300 (33.02)				
16	.700 (17.78)	1.160 (29.46)	1.560 (39.62)	1.400 (35.56)				
20	.900 (22.86)	1.360 (34.54)	1.760 (44.70)	1.600 (40.64)				
26	1.200 (30.48)	1.660 (42.16)	2.060 (52.32)	1.900 (48.26)	.425 (10.80)	.573 (14.55)	.40 (10.2)	.51 (12.6)
34	1.600 (40.64)	2.060 (52.32)	2.460 (62.48)	2.300 (58.42)				
40	1.900 (48.26)	2.360 (59.94)	2.760 (70.10)	2.600 (66.04)				
50	2.400 (60.96)	2.860 (72.64)	3.260 (82.80)	3.100 (78.74)				
60	2.900 (73.66)	3.360 (85.34)	3.760 (95.50)	3.600 (91.44)				

E_① and F_① pertains to all headers with short latches

E_② and F_② pertains to all headers with long latches

*Polarizing ribs removed