



Chipsmall Limited consists of a professional team with an average of over 10 year of expertise in the distribution of electronic components. Based in Hongkong, we have already established firm and mutual-benefit business relationships with customers from,Europe,America and south Asia,supplying obsolete and hard-to-find components to meet their specific needs.

With the principle of “Quality Parts,Customers Priority,Honest Operation,and Considerate Service”,our business mainly focus on the distribution of electronic components. Line cards we deal with include Microchip,ALPS,ROHM,Xilinx,Pulse,ON,Everlight and Freescale. Main products comprise IC,Modules,Potentiometer,IC Socket,Relay,Connector.Our parts cover such applications as commercial,industrial, and automotives areas.

We are looking forward to setting up business relationship with you and hope to provide you with the best service and solution. Let us make a better world for our industry!



Contact us

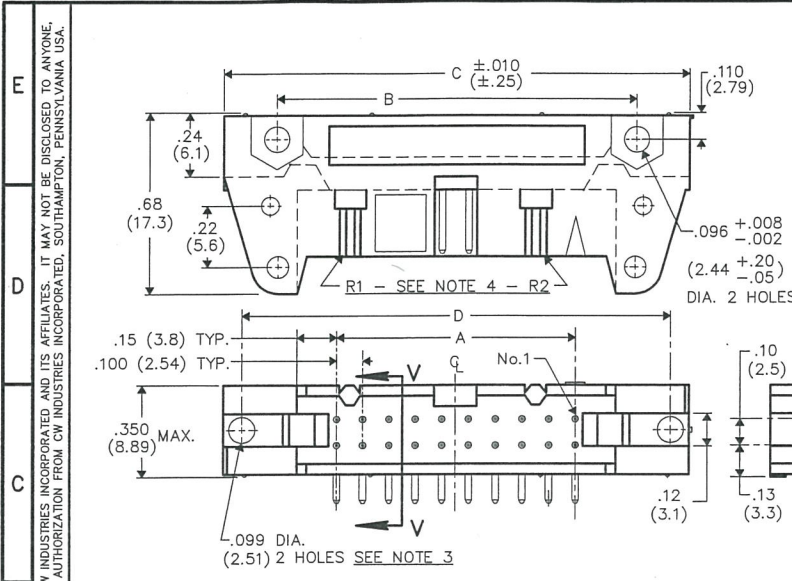
Tel: +86-755-8981 8866 Fax: +86-755-8427 6832

Email & Skype: info@chipsmall.com Web: www.chipsmall.com

Address: A1208, Overseas Decoration Building, #122 Zhenhua RD., Futian, Shenzhen, China



THIS INFORMATION IS CONFIDENTIAL AND PROPRIETARY TO CW INDUSTRIES INCORPORATED AND ITS AFFILIATES. IT MAY NOT BE DISCLOSED TO ANYONE OTHER THAN CW INDUSTRIES PERSONNEL, WITHOUT WRITTEN AUTHORIZATION FROM CW INDUSTRIES INCORPORATED, SOUTHAMPTON, PENNSYLVANIA USA.



CWN-XXX-XX-XXXX

Type of Connector
 5 = Polarized Header
 6 = Non-Polarized

Pin Configuration
 0 = Right Angle solder pins .090±.010 (2.29±.25) long, .025 (.64) Rnd.
 1 = Right Angle solder pins .155±.010 (3.94±.25) long, .025 (.64) Rnd.
 2 = Right Angle wire wrap pins .610±.010 (15.49±.25) long, .025 (.64) Sq.

Plating
 -0000 = 10μ in. gold (in mating area) over 50μ in. nickel
 -0021 = 30μ in. gold (in mating area) over 50μ in. nickel (Standard)

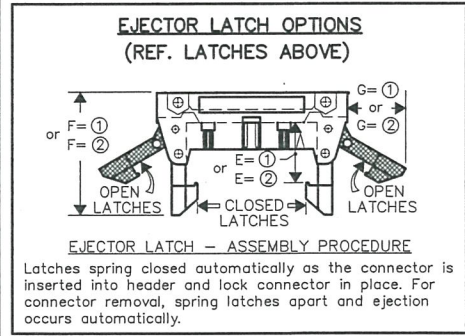
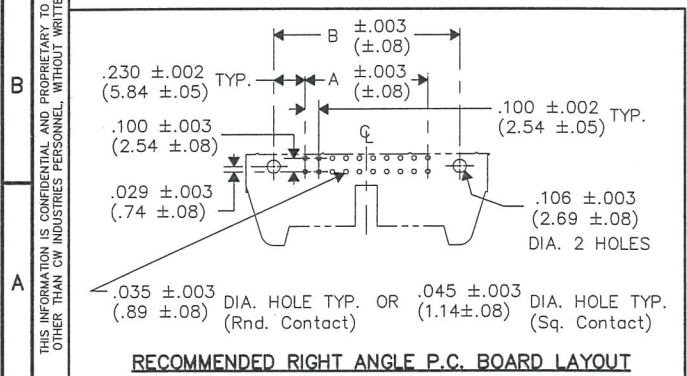
Number of Contacts
 (10, 14, 16, 20, 26, 34, 40, 50 & 60)

Latches (REF. OPTIONS)
 0 = No Latches
 ① = Short Latches for Non-Strain relief sockets
 E=.425 (10.80)/F= 1.02 (25.9)/G=.40 (10.2)
 ② = Long Latches for Strain relief sockets
 E=.573 (14.55)/F= 1.16 (29.5)/G=.51 (12.6)

DIMENSIONS IN INCHES (MILLIMETERS)
 DO NOT SCALE DRAWING

Dwg. No.
CWN-5,6XX-XX-XXXX

CONNECTOR DIMENSIONS				
XX NO. CONT's	A	B	C	D
10	.400 (10.16)	.860 (21.84)	1.260 (32.00)	1.100 (27.94)
14	.600 (15.24)	1.060 (26.92)	1.460 (37.08)	1.300 (33.02)
16	.700 (17.78)	1.160 (29.46)	1.560 (39.62)	1.400 (35.56)
20	.900 (22.86)	1.360 (34.54)	1.760 (44.70)	1.600 (40.64)
26	1.200 (30.48)	1.660 (42.16)	2.060 (52.32)	1.900 (48.26)
34	1.600 (40.64)	2.060 (52.32)	2.460 (62.48)	2.300 (58.42)
40	1.900 (48.26)	2.360 (59.94)	2.760 (70.10)	2.600 (66.04)
50	2.400 (60.96)	2.860 (72.64)	3.260 (82.80)	3.100 (78.74)
60	2.900 (73.66)	3.360 (85.34)	3.760 (95.50)	3.600 (91.44)



- NOTES:**
- Dimensions are in inches; Dimensions in () are in millimeters.
 - Metric equivalents are given for general information only, and are based upon 1.00 inches equals (25.4) millimeters.
 - Holes centered ±.005 between adjacent flanges.
 - Part is made with removable ribs, drawing title indicates with or without, omit (R2) in size 10 and 14 headers.

MATERIALS:
PLASTIC PARTS— UL94V-0 Thermoplastic (blue,std.) flame retardant.
CONTACTS— Phosphor Bronze, standard (REF. PLATING ABOVE)

OPERATING STANDARDS:
TEMPERATURE RATING— -55°C to +125°C
CONTACT RATING— 1 AMPERE.
DIELECTRIC STRENGTH— OVER 500V.D.C. AT SEA LEVEL.
INSULATION RESISTANCE— GREATER THAN 5 x 10⁹ OHMS.

1 2 3 4 5 6 7 8 9 10

B-FORMAT 2002
 REVISIONS
 RELEASED: DCW 9-18-2012
 1/10 JAN 11 2013

CUSTOMER DRAWING ONLY

PDF MADE	CW INDUSTRIES Southampton, Pa. 18966		Title: FULLY SHROUDED RIGHT ANGLE P.C.B. HEADER .100" x .100" CENTERS
	TOLERANCES UNLESS OTHERWISE SPECIFIED		
	2 Place Decimal ±.010	METRIC	Division: CONNECTOR
	3 Place Decimal ±.005	1 Place Dec. ±.25mm 2 Place Dec. ±.13mm	
Made for: CW,IND.		Dwg. No. CWN-5,6XX-XX-XXXX	
Drawn by: DGW 9-18-2012			
Checked by: G. Guld 1-11-13			
Approval: C. Harmon 1/11/13			

MASTER