



Chipsmall Limited consists of a professional team with an average of over 10 year of expertise in the distribution of electronic components. Based in Hongkong, we have already established firm and mutual-benefit business relationships with customers from,Europe,America and south Asia,supplying obsolete and hard-to-find components to meet their specific needs.

With the principle of “Quality Parts,Customers Priority,Honest Operation,and Considerate Service”,our business mainly focus on the distribution of electronic components. Line cards we deal with include Microchip,ALPS,ROHM,Xilinx,Pulse,ON,Everlight and Freescale. Main products comprise IC,Modules,Potentiometer,IC Socket,Relay,Connector.Our parts cover such applications as commercial,industrial, and automotives areas.

We are looking forward to setting up business relationship with you and hope to provide you with the best service and solution. Let us make a better world for our industry!



Contact us

Tel: +86-755-8981 8866 Fax: +86-755-8427 6832

Email & Skype: info@chipsmall.com Web: www.chipsmall.com

Address: A1208, Overseas Decoration Building, #122 Zhenhua RD., Futian, Shenzhen, China



DIMENSIONS IN INCHES (MILLIMETERS)
DO NOT SCALE DRAWING

Dwg. No.
CWN-551-XX-0060

NOTES:

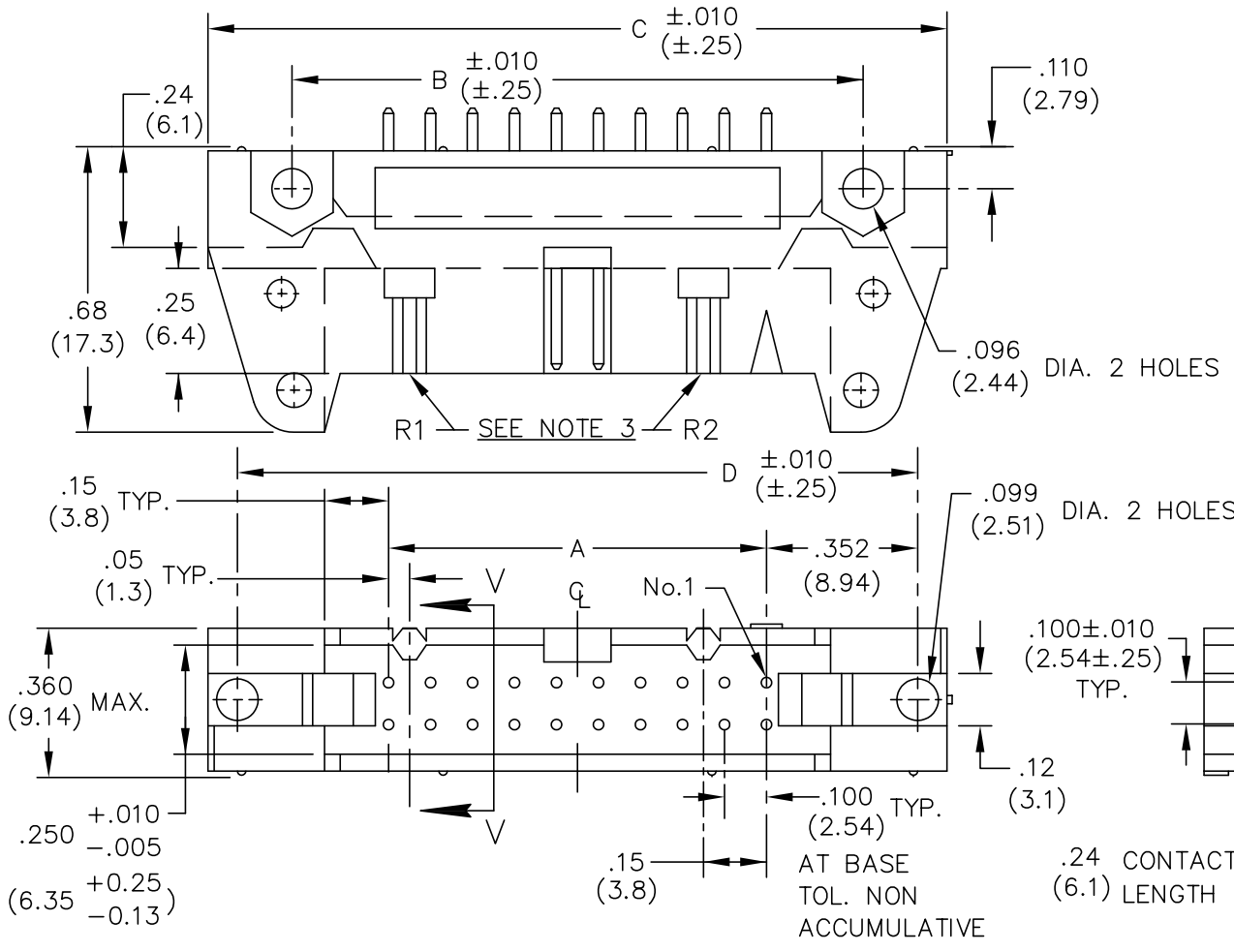
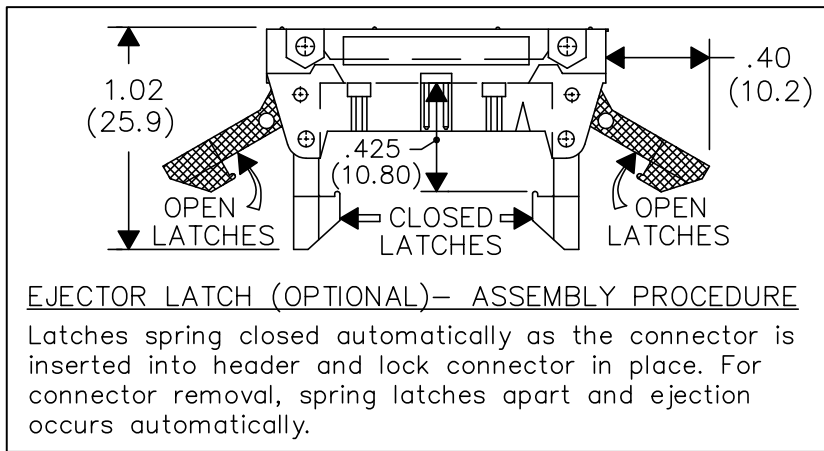
- 1) Dimensions are in inches; Dimensions in () are in millimeters.
- 2) Metric equivalents are given for general information only, and are based upon 1.00 inches equals (25.4) millimeters.
- 3) Polarizing feature (R2) does not appear on the 10 and 14 position connector.

MATERIALS:

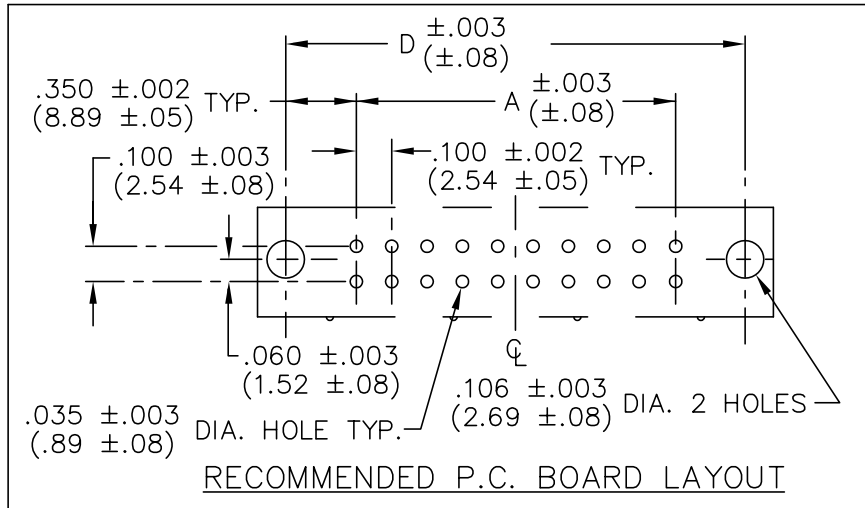
PLASTIC PARTS- UL94V-0 Thermoplastic (Black, std.) flame retardant.
CONTACTS- Phosphor Bronze, standard
CONTACT PLATING- Selective gold plating, Standard; .000010 (min.) gold over .000050 nickel in mating area, and gold flash over .000050 nickel in remaining area.

OPERATING STANDARDS:

TEMPERATURE RATING- 125°C
CONTACT RATING- 1 AMPERE.
DIELECTRIC STRENGTH- OVER 500V.D.C. AT SEA LEVEL.
INSULATION RESISTANCE- Greater than 5×10^9 ohms.



CUSTOMER DRAWING



| CONNECTOR DIMENSIONS | | | | |
|----------------------|---------------|---------------|---------------|---------------|
| XX NO. CONT's | A | B | C | D |
| 10 | .400 (10.16) | .860 (21.84) | 1.260 (32.00) | 1.100 (27.94) |
| 14 | .600 (15.24) | 1.060 (26.92) | 1.460 (37.08) | 1.300 (33.02) |
| 16 | .700 (17.78) | 1.160 (29.46) | 1.560 (39.62) | 1.400 (35.56) |
| 20 | .900 (22.86) | 1.360 (34.54) | 1.760 (44.70) | 1.600 (40.64) |
| 26 | 1.200 (30.48) | 1.660 (42.16) | 2.060 (52.32) | 1.900 (48.26) |
| 34 | 1.600 (40.64) | 2.060 (52.32) | 2.460 (62.48) | 2.300 (58.42) |
| 40 | 1.900 (48.26) | 2.360 (59.44) | 2.760 (70.10) | 2.600 (66.04) |
| 50 | 2.400 (60.96) | 2.860 (72.64) | 3.260 (82.80) | 3.100 (78.74) |
| 60 | 2.900 (73.66) | 3.360 (85.34) | 3.760 (95.50) | 3.600 (91.44) |

FORM-B4

REVISIONS
RELEASED FOR NEW SHOP. 0
DGW 6-08-2004
AH 6/23/04

CW INDUSTRIES
Southampton, Pa. 18966

TOLERANCES UNLESS OTHERWISE SPECIFIED
2 Place Decimal ±.010 METRIC
3 Place Decimal ±.005 1 Place Dec. ±.25mm
Angles ±1° 2 Place Dec. ±.13mm

Made for: CW IND.
Drawn by: DGW 6-08-2004
Checked by: GG 6-22-04
Approval: AH 6-23-04

Title: P.C.B. HEADER
.100 x .100 CENTERS
.102" STRAIGHT CONTACTS - ROUND W/POLAR. RIB(S) & LATCHES
Division: CONNECTOR
Dwg. No. CWN-551-XX-0060