



Chipsmall Limited consists of a professional team with an average of over 10 year of expertise in the distribution of electronic components. Based in Hongkong, we have already established firm and mutual-benefit business relationships with customers from,Europe,America and south Asia,supplying obsolete and hard-to-find components to meet their specific needs.

With the principle of “Quality Parts,Customers Priority,Honest Operation,and Considerate Service”,our business mainly focus on the distribution of electronic components. Line cards we deal with include Microchip,ALPS,ROHM,Xilinx,Pulse,ON,Everlight and Freescale. Main products comprise IC,Modules,Potentiometer,IC Socket,Relay,Connector.Our parts cover such applications as commercial,industrial, and automotives areas.

We are looking forward to setting up business relationship with you and hope to provide you with the best service and solution. Let us make a better world for our industry!



## Contact us

Tel: +86-755-8981 8866 Fax: +86-755-8427 6832

Email & Skype: info@chipsmall.com Web: www.chipsmall.com

Address: A1208, Overseas Decoration Building, #122 Zhenhua RD., Futian, Shenzhen, China

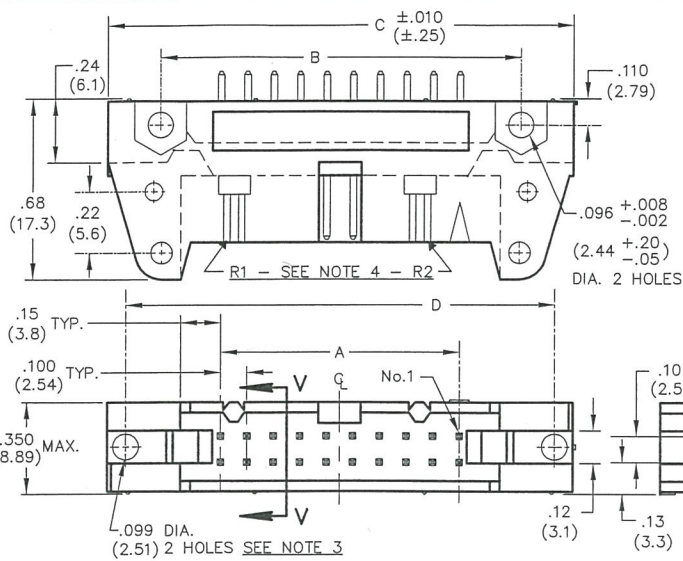


THIS INFORMATION IS CONFIDENTIAL AND PROPRIETARY TO CW INDUSTRIES INCORPORATED AND ITS AFFILIATES. IT MAY NOT BE DISCLOSED TO ANYONE OTHER THAN CW INDUSTRIES PERSONNEL, WITHOUT WRITTEN AUTHORIZATION FROM CW INDUSTRIES INCORPORATED, SOUTHAMPTON, PENNSYLVANIA USA.

B-FORMAT 2002

**REVISIONS**

0  
 RELEASED: 9-18-2012  
 DGW  
*C. Gold* 1/11/13  
 JAN 11 2013



**CWN-XXX-XX-XXXX**

**Type of Connector**  
 5= Polarized Header  
 6= Non-Polarized

**Pin Configuration**  
 5= Straight solder pins .090±.010 (2.29±.25) long, .025 (.64) Rnd.  
 6= Straight solder pins .155±.010 (3.94±.25) long, .025 (.64) Rnd.  
 7= Straight wire wrap pins .610±.010 (15.49±.25) long, .025 (.64) Sq.

**Plating**  
 -0000 = 10μ in. gold (in mating area) over 50μ in. nickel  
 -0021 = 30μ in. gold (in mating area) over 50μ in. nickel (Standard)

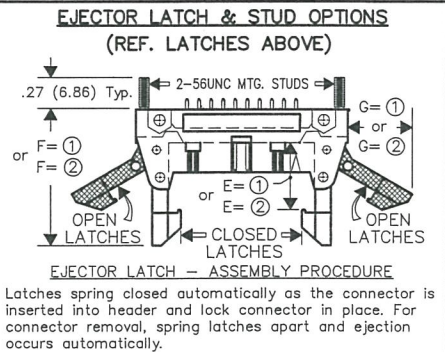
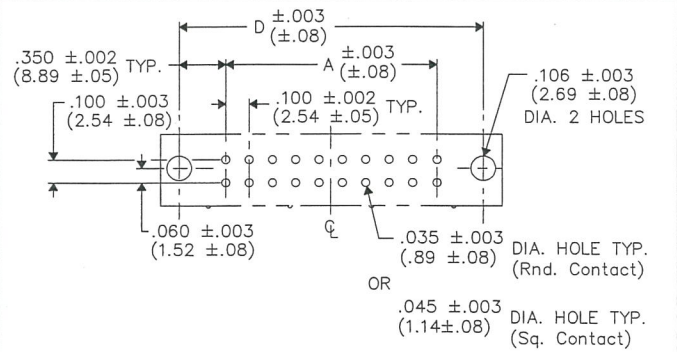
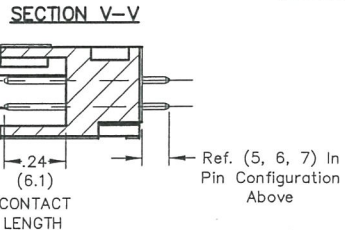
**Number of Contacts**  
 (10, 14, 16, 20, 26, 34, 40, 50 & 60)

**Latches (REF. OPTIONS)**  
 0 = No Latches  
 ① = Short Latches for Non-Strain relief sockets  
 E=.425 (10.80)/F= 1.02 (25.9)/G=.40 (10.2)  
 ② = Long Latches for Strain relief sockets  
 E=.573 (14.55)/F= 1.16 (29.5)/G=.51 (12.6)

**DIMENSIONS IN INCHES (MILLIMETERS)**  
 DO NOT SCALE DRAWING .....

Dwg. No.  
**CWN-5,6XX-XX-XXXX**

CONNECTOR DIMENSIONS				
XX NO. CONT's	A	B	C	D
10	.400 (10.16)	.860 (21.84)	1.260 (32.00)	1.100 (27.94)
14	.600 (15.24)	1.060 (26.92)	1.460 (37.08)	1.300 (33.02)
16	.700 (17.78)	1.160 (29.46)	1.560 (39.62)	1.400 (35.56)
20	.900 (22.86)	1.360 (34.54)	1.760 (44.70)	1.600 (40.64)
26	1.200 (30.48)	1.660 (42.16)	2.060 (52.32)	1.900 (48.26)
34	1.600 (40.64)	2.060 (52.32)	2.460 (62.48)	2.300 (58.42)
40	1.900 (48.26)	2.360 (59.94)	2.760 (70.10)	2.600 (66.04)
50	2.400 (60.96)	2.860 (72.64)	3.260 (82.80)	3.100 (78.74)
60	2.900 (73.66)	3.360 (85.34)	3.760 (95.50)	3.600 (91.44)



- NOTES:**
- 1) Dimensions are in inches; Dimensions in ( ) are in millimeters.
  - 2) Metric equivalents are given for general information only, and are based upon 1.00 inches equals (25.4) millimeters.
  - 3) Holes centered ±.005 between adjacent flanges.
  - 4) Part is made with removable ribs, drawing title indicates with or without, omit (R2) in size 10 and 14 headers.

**MATERIALS:**  
**PLASTIC PARTS**- UL94V-0 Thermoplastic (blue,std.) flame retardant.  
**CONTACTS**- Phosphor Bronze, standard (REF. PLATING ABOVE)

**OPERATING STANDARDS:**  
**TEMPERATURE RATING**- -55°C to +125°C  
**CONTACT RATING**- 1 AMPERE.  
**DIELECTRIC STRENGTH**- OVER 500V.D.C. AT SEA LEVEL.  
**INSULATION RESISTANCE**- GREATER THAN 5 x 10<sup>9</sup> OHMS.

1 2 3 4 5 6 7 8 9 10

**CUSTOMER DRAWING ONLY**

**CW INDUSTRIES**  
 Southampton, Pa. 18966

**TOLERANCES UNLESS OTHERWISE SPECIFIED**

2 Place Decimal ±.010	METRIC
3 Place Decimal ±.005	1 Place Dec. ±.25mm
Angles ..... ±1°	2 Place Dec. ±.13mm

Made for: CW JND.  
 Drawn by: DGW 9-18-2012  
 Checked by: *C. Gold* 1-11-13  
 Approved: *C. Hanson* 1/11/13

Title: **FULLY SHROUDED STRAIGHT PIN P.C.B. HEADER**  
**.100" x .100" CENTERS**

Division: **CONNECTOR**

Dwg. No. **CWN-5,6XX-XX-XXXX**

**MASTER**