



Chipsmall Limited consists of a professional team with an average of over 10 year of expertise in the distribution of electronic components. Based in Hongkong, we have already established firm and mutual-benefit business relationships with customers from,Europe,America and south Asia,supplying obsolete and hard-to-find components to meet their specific needs.

With the principle of “Quality Parts,Customers Priority,Honest Operation,and Considerate Service”,our business mainly focus on the distribution of electronic components. Line cards we deal with include Microchip,ALPS,ROHM,Xilinx,Pulse,ON,Everlight and Freescale. Main products comprise IC,Modules,Potentiometer,IC Socket,Relay,Connector.Our parts cover such applications as commercial,industrial, and automotives areas.

We are looking forward to setting up business relationship with you and hope to provide you with the best service and solution. Let us make a better world for our industry!



Contact us

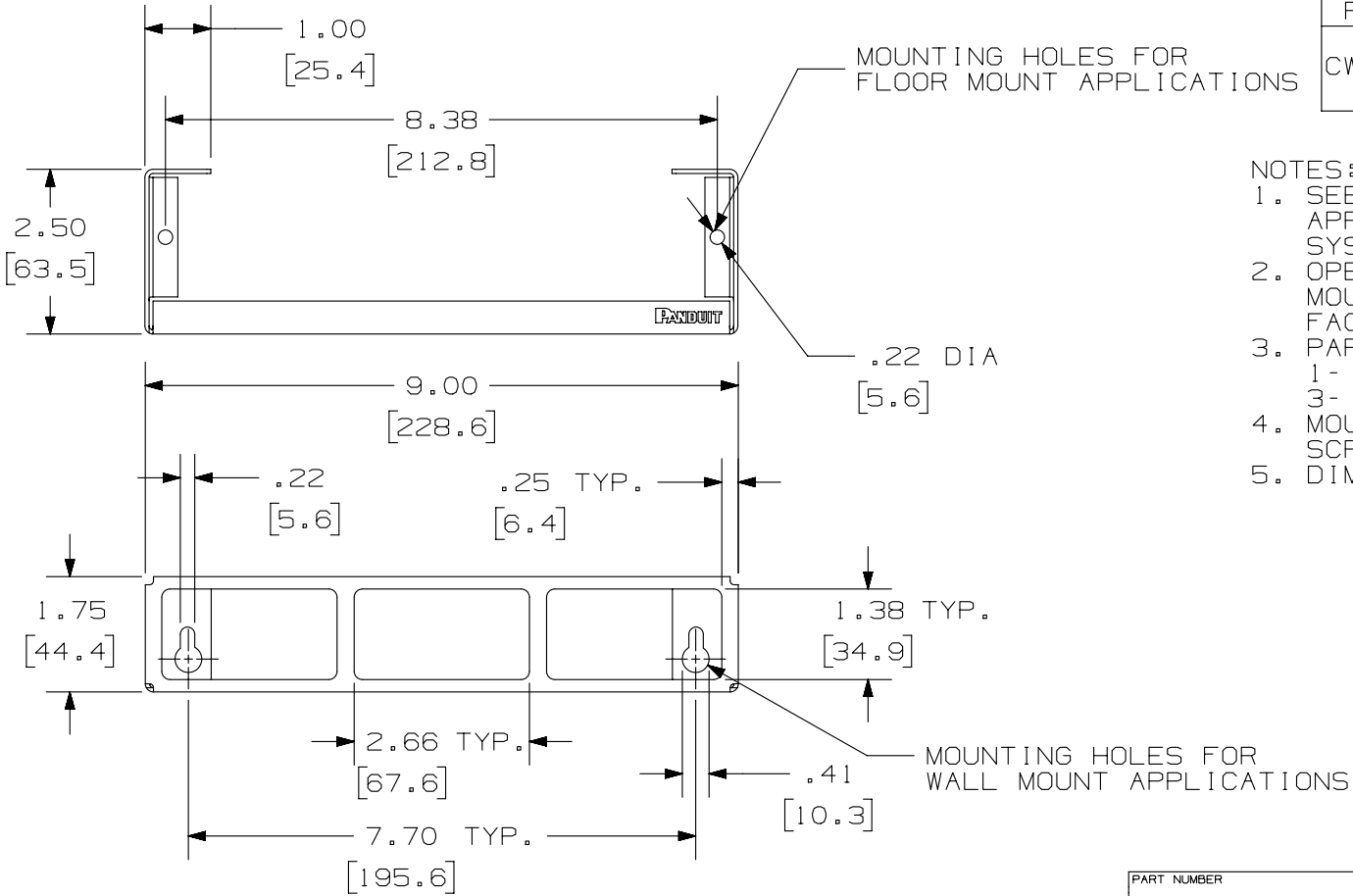
Tel: +86-755-8981 8866 Fax: +86-755-8427 6832

Email & Skype: info@chipsmall.com Web: www.chipsmall.com

Address: A1208, Overseas Decoration Building, #122 Zhenhua RD., Futian, Shenzhen, China



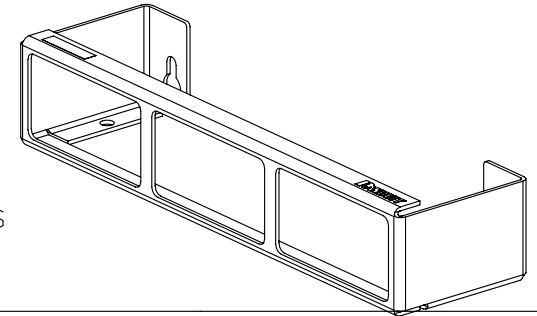
THIS COPY IS PROVIDED ON A RESTRICTED BASIS AND IS NOT TO BE USED IN ANY WAY DETRIMENTAL TO THE INTERESTS OF PANDUIT CORP.



PANDUIT PART NO.	WEIGHT
CWPP12WBL	.501 LB/EA (228 G/EA)

NOTES:

1. SEE CURRENT CATALOG FOR VARIOUS APPLICATIONS WITH THIS WIRING SYSTEM.
2. OPENINGS ARE INTENDED FOR SNAP-IN MOUNTING OF PANDUIT FURNITURE FACEPLATES (CFFP4BL).
3. PART INCLUDES:
1- PATCH PANEL FRAME
3- FURNITURE FACEPLATE (CFFP4BL)
4. MOUNT WITH (2) ROUND OR PAN-HEAD SCREWS (#10 MAX).
5. DIMENSIONS IN [] ARE IN METRIC.



PART NUMBER		CWPP12WBL	
TITLE			
MINI-COM 12 PORT WALL MOUNT PATCH PANEL			
CUSTOMER DRAWING			
ITEM REVISION NAME		D35559BU/00	
DATASET FILE NAME		D35559BU_DC/00B	
UNLESS OTHERWISE SPECIFIED, DIMENSIONAL TOLERANCES ARE: IN [mm]		MATERIAL:	
.x ± .xx ± .03 [.8]		PANEL: C.R.S. FACEPLATE: ABS	
.xxx ± .010 [.3]		DRAWING NUMBER:	
ANGLES ±		35559-18	
THIRD ANGLE PROJECTION		SHT 1 OF 1	
DRAWN BY	DATE	CHK	SCALE
JBA	4-1-97	CEF	NONE
REV	DATE	BY	CHK
1	5/16/14	JSP	REFR
R	4-1-97	JBA	CEF
APR	DESCRIPTION		ECN
	A. REVISED DRAWING TITLE BLOCK.		35559-18
	RELEASED TO PRODUCTION		35559-18

D10100DA/14