



Chipsmall Limited consists of a professional team with an average of over 10 year of expertise in the distribution of electronic components. Based in Hongkong, we have already established firm and mutual-benefit business relationships with customers from,Europe,America and south Asia,supplying obsolete and hard-to-find components to meet their specific needs.

With the principle of “Quality Parts,Customers Priority,Honest Operation,and Considerate Service”,our business mainly focus on the distribution of electronic components. Line cards we deal with include Microchip,ALPS,ROHM,Xilinx,Pulse,ON,Everlight and Freescale. Main products comprise IC,Modules,Potentiometer,IC Socket,Relay,Connector.Our parts cover such applications as commercial,industrial, and automotives areas.

We are looking forward to setting up business relationship with you and hope to provide you with the best service and solution. Let us make a better world for our industry!



Contact us

Tel: +86-755-8981 8866 Fax: +86-755-8427 6832

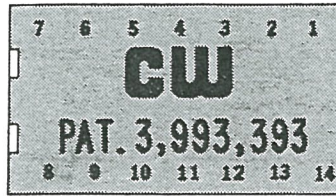
Email & Skype: info@chipsmall.com Web: www.chipsmall.com

Address: A1208, Overseas Decoration Building, #122 Zhenhua RD., Futian, Shenzhen, China

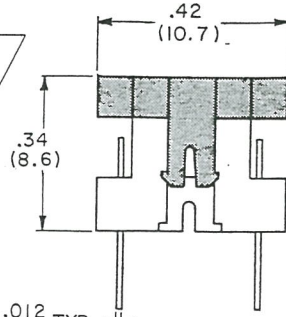
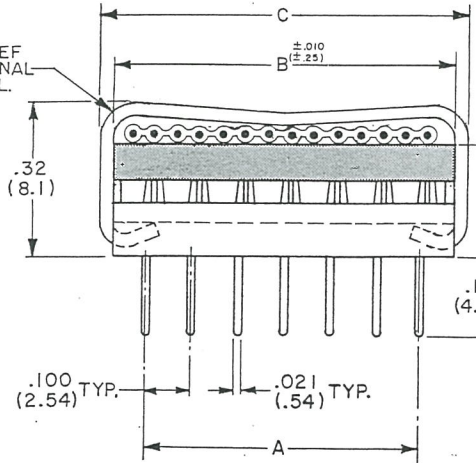


DIP CONNECTOR ($\frac{.300}{(.762)}$ CENTERS)

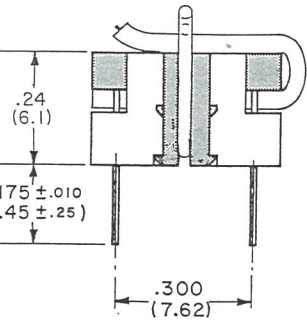
NOTCHED CORNER ORIENTS No.1 CONTACT LOCATION.
(14 CONTACT POSITIONS SHOWN; ALSO AVAILABLE
WITH 16 POSITIONS.)



STRAIN RELIEF STRAP OPTIONAL
STEEL-TIN PL.



CONNECTOR COVER SHOWN
IN OPEN POSITION



CONNECTOR COVER SHOWN
IN CLOSED POSITION

CONNECTOR DIMENSIONS			
No. of SOLDER POSTS	A	B	C
14	.60 (15.2)	.754 (19.2)	.81 (20.6)
16	.70 (17.8)	.854 (21.7)	.91 (23.1)

DIMENSIONS IN INCHES (MILLIMETERS)
DO NOT SCALE DRAWING

Dwg. No.

CWR-130-XX-0000

NOTES:

1. Dimensions are in inches; dimensions () are in millimeters.
2. Metric equivalents are given for general information only and are based upon 1.00 inches = (25.4) millimeters.
3. Unless otherwise specified, tolerances are $\pm .005$ (.13) for three place decimals and $\pm .01$ (.3) for two place decimals.

MATERIALS:

PLASTIC PARTS - UL94V-O Thermoplastic (blue), flame retardant.
CONTACTS - Phosphor bronze, std.
CONTACT PLATING - .000010 gold over .000050 nickel, std.

OPERATING STANDARDS:

TEMPERATURE RATING - 125°C.
CONTACT RATING - 1 Ampere.
DIELECTRIC STRENGTH - Over 500 V.D.C. at sea level.
CONDUCTORS ACCEPTED - 28-30 AWG solid or stranded.

CUSTOMER DRAWING

FORM-B3	REVISIONS	0	1
RELEASED: LW 3-05-82	REDRAWN, ADDED CUSTOMER DWG. & NEW FORMAT 'B' DCW 3-21-97		GG. MAR 25 1997

ATTENTION
THIS DRAWING AND ITS ATTACHMENTS, IF ANY, ARE PROPRIETARY TO CW INDUSTRIES AND DESCRIBE DESIGNS THAT ARE CONFIDENTIAL AND MUST NOT BE DISCLOSED UNLESS AUTHORIZED, IN WRITING, BY AN OFFICER OF CW INDUSTRIES.....

PDF File Made	CW INDUSTRIES Southampton, Pa. 18966	Title: DIP CONNECTOR NO. CONTS. PER CONN. DIM. CHART W/.175" SOLDER POSTS
	TOLERANCES UNLESS OTHERWISE SPECIFIED 2 Place Decimal $\pm .010$ METRIC 3 Place Decimal $\pm .005$ 1 Place Dec. $\pm .25$ mm Angles $\pm 1^\circ$ 2 Place Dec. $\pm .13$ mm	Division: CONNECTOR
	Made for: CW IND.	Dwg. No. CWR-130-XX-0000
	Drawn by: DGW 3-21-97 Checked by: G. GOLD 3-24-97 Approval: A. HOSFIELD 3-25-97	

MASTER