



Chipsmall Limited consists of a professional team with an average of over 10 year of expertise in the distribution of electronic components. Based in Hongkong, we have already established firm and mutual-benefit business relationships with customers from,Europe,America and south Asia,supplying obsolete and hard-to-find components to meet their specific needs.

With the principle of “Quality Parts,Customers Priority,Honest Operation,and Considerate Service”,our business mainly focus on the distribution of electronic components. Line cards we deal with include Microchip,ALPS,ROHM,Xilinx,Pulse,ON,Everlight and Freescale. Main products comprise IC,Modules,Potentiometer,IC Socket,Relay,Connector.Our parts cover such applications as commercial,industrial, and automotives areas.

We are looking forward to setting up business relationship with you and hope to provide you with the best service and solution. Let us make a better world for our industry!



## Contact us

Tel: +86-755-8981 8866 Fax: +86-755-8427 6832

Email & Skype: info@chipsmall.com Web: www.chipsmall.com

Address: A1208, Overseas Decoration Building, #122 Zhenhua RD., Futian, Shenzhen, China



E  
D  
C  
B  
A

DIMENSIONS IN INCHES (MILLIMETERS)  
DO NOT SCALE DRAWING .....

Dwg. No.  
**CWR-280-XX-0000**

**NOTES:**

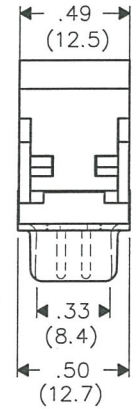
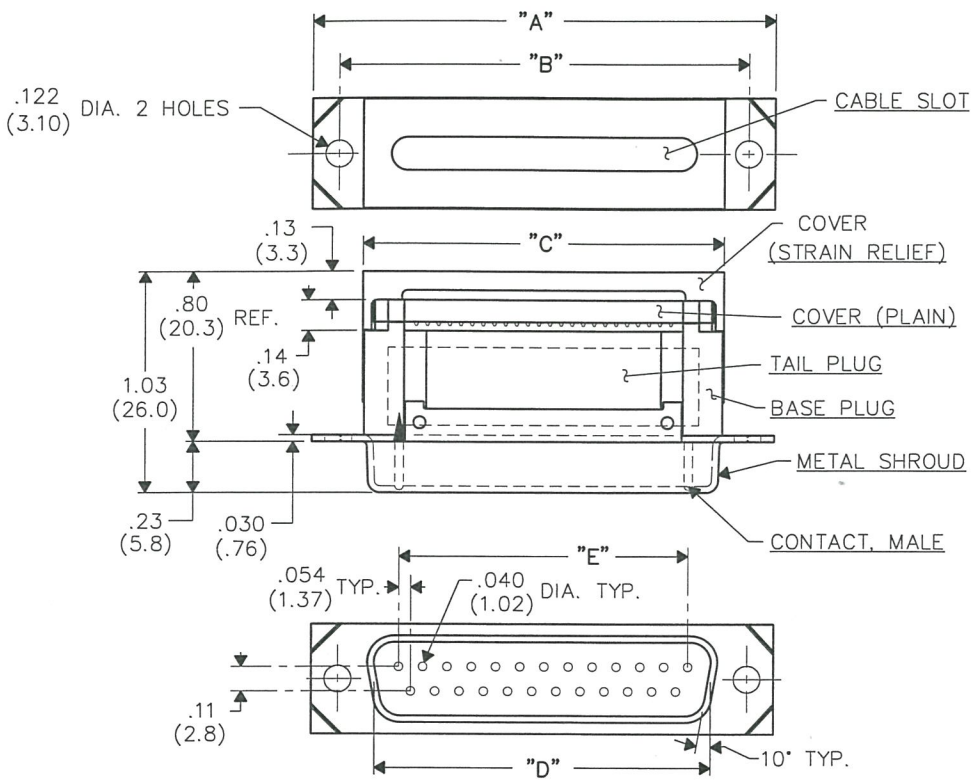
1. Dimensions are in inches; dimensions in ( ) are millimeters.
2. Metric equivalents are given for general information only, and are based upon 1.00 inches equals (25.4) millimeters.
3. Unless otherwise specified, tolerances are  $\pm 0.005$  (.13) for three place decimals, and  $\pm 0.01$  (.3) for two place decimals.

**MATERIALS:**

**PLASTIC PARTS** - UL94V-0 thermoplastic (blue, standard) flame retardant.  
**CONTACTS** - Phosphor bronze.  
**CONTACT PLATING**- Selective gold plating, .000010 (Min.) in Mating Area/100 Tin Plating (Min.) in Termination Area (All Over .000050 Nickel)

**OPERATING STANDARDS:**

**TEMPERATURE RATING** - 125° C  
**CONTACT RATING** - 1 ampere.  
**DIELECTRIC STRENGTH** - Over 500V.D.C. at sea level.  
**CONDUCTORS ACCEPTED** - 28-30 AWG solid or stranded.  
**INSULATION RESISTANCE** - Greater than  $5 \times 10^9$  ohms.



**CUSTOMER DRAWING**

NO. CONTS.	A	B	C	D	E
9	1.224 (31.09)	.984 (24.99)	.762 (19.35)	.656 (16.66)	.434 (11.02)
15	1.552 (39.42)	1.312 (33.32)	1.088 (27.64)	.982 (24.94)	.760 (19.30)
25	2.092 (53.14)	1.852 (47.04)	1.632 (41.45)	1.526 (38.76)	1.303 (33.10)
37	2.740 (69.60)	2.500 (63.50)	2.284 (58.01)	2.178 (55.32)	1.955 (49.66)

FORM-B4

REVISIONS	DATE	DESCRIPTION
0	11-06-2000	RELEASED
1	11-06-2000	TIN-LEAD WAS REMOVED & TIN-PLATING WAS ADDED IN CONTACT PLATING.

APR 08 2008

**ATTENTION**  
 THIS DRAWING AND ITS ATTACHMENTS, IF ANY, ARE PROPRIETARY TO CW INDUSTRIES AND DESCRIBE DESIGNS THAT ARE CONFIDENTIAL AND MUST NOT BE DISCLOSED UNLESS AUTHORIZED, IN WRITING, BY AN OFFICER OF CW INDUSTRIES.....

**CW INDUSTRIES**  
 Southampton, Pa. 18966

TOLERANCES UNLESS OTHERWISE SPECIFIED

2 Place Decimal $\pm 0.010$	METRIC
3 Place Decimal $\pm 0.005$	1 Place Dec. $\pm 0.25$ mm
Angles ..... $\pm 1^\circ$	2 Place Dec. $\pm 0.13$ mm

Made for: CW IND.  
 Drawn by: DGW 11-06-2000  
 Checked by: G. Gold 11-13-00  
 Approval: A. HOSFELD 11-13-00

Title: METAL SHROUD "D" CONNECTER RECEPTACLE (MALE CONTACTS)  
 Division: CONNECTER  
 Dwg. No. CWR-280-XX-0000

**MASTER**