



Chipsmall Limited consists of a professional team with an average of over 10 year of expertise in the distribution of electronic components. Based in Hongkong, we have already established firm and mutual-benefit business relationships with customers from,Europe,America and south Asia,supplying obsolete and hard-to-find components to meet their specific needs.

With the principle of “Quality Parts,Customers Priority,Honest Operation,and Considerate Service”,our business mainly focus on the distribution of electronic components. Line cards we deal with include Microchip,ALPS,ROHM,Xilinx,Pulse,ON,Everlight and Freescale. Main products comprise IC,Modules,Potentiometer,IC Socket,Relay,Connector.Our parts cover such applications as commercial,industrial, and automotives areas.

We are looking forward to setting up business relationship with you and hope to provide you with the best service and solution. Let us make a better world for our industry!



## Contact us

Tel: +86-755-8981 8866 Fax: +86-755-8427 6832

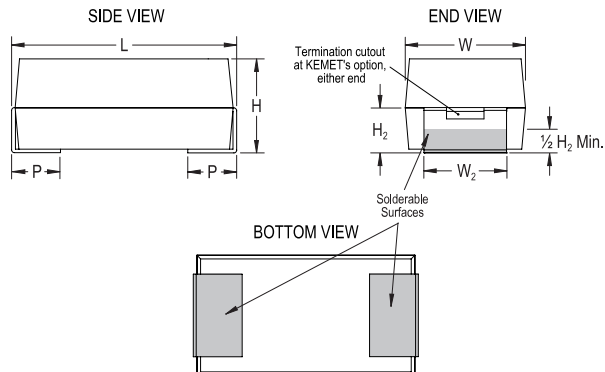
Email & Skype: info@chipsmall.com Web: www.chipsmall.com

Address: A1208, Overseas Decoration Building, #122 Zhenhua RD., Futian, Shenzhen, China



**KEMET Part Number: CWR11KH685KC**  
(T492D685K025CH)

T492\_CWR11, Tantalum, MnO2 Tantalum, Military/High Reliability, 6.8 uF, 10%, 25 VDC, SMD, MnO2, Molded, Military Equivalent, C (0.01%/1000 Hrs), 1.4 Ohms, 7343, Height Max = 3.1mm



**Dimensions**

Footprint	7343
L	7.3mm +/-0.3mm
W	4.3mm +/-0.3mm
H	2.8mm +/-0.3mm
T	0.13mm REF
S	1.3mm +/-0.3mm
F	2.4mm +/-0.1mm
A	3.8mm MIN
B	0.5mm +/-0.15mm
E	3.5mm REF
G	3.5mm REF
K	1mm MIN
P	0.5mm MIN
R	1mm REF
X	0.1mm +/-0.1mm

**Packaging Specifications**

<b>Weight:</b>	412.33 mg
<b>Packaging:</b>	T&R, 178mm
<b>Packaging Quantity:</b>	2500

**General Information**

<b>Supplier:</b>	KEMET
<b>Series:</b>	T492_CWR11
<b>Dielectric:</b>	MnO2 Tantalum
<b>Style:</b>	SMD Chip
<b>Description:</b>	SMD, MnO2, Molded, Military Equivalent
<b>RoHS:</b>	No
<b>Termination:</b>	Solder Coated
<b>Qualifications:</b>	MIL-PRF-55365/8, CWR11 Style
<b>Notes:</b>	Note: When Option C Is Selected For Lead Material, Add An Additional 0.38mm To The Tolerances For "L", "W", "H", "K", "F" And "S". P And R Dimensions Represents The Minimum Solderable Area Of The Termination Surface Entirely Below Cutout (If One Is Present)

**Specifications**

<b>Capacitance:</b>	6.8 uF
<b>Capacitance Tolerance:</b>	10%
<b>Voltage DC:</b>	25 VDC (85C), 16.75 VDC (125C)
<b>Temperature Range:</b>	-55/+125C
<b>Rated Temperature:</b>	85C
<b>Dissipation Factor:</b>	6.00%
<b>Failure Rate:</b>	C (0.01%/1000 Hrs)
<b>Resistance:</b>	1.4 Ohms (100kHz)
<b>Leakage Current:</b>	1.7 uA (20C)
<b>Testing and Reliability:</b>	Standard Testing Only