



Chipsmall Limited consists of a professional team with an average of over 10 year of expertise in the distribution of electronic components. Based in Hongkong, we have already established firm and mutual-benefit business relationships with customers from,Europe,America and south Asia,supplying obsolete and hard-to-find components to meet their specific needs.

With the principle of “Quality Parts,Customers Priority,Honest Operation,and Considerate Service”,our business mainly focus on the distribution of electronic components. Line cards we deal with include Microchip,ALPS,ROHM,Xilinx,Pulse,ON,Everlight and Freescale. Main products comprise IC,Modules,Potentiometer,IC Socket,Relay,Connector.Our parts cover such applications as commercial,industrial, and automotives areas.

We are looking forward to setting up business relationship with you and hope to provide you with the best service and solution. Let us make a better world for our industry!



Contact us

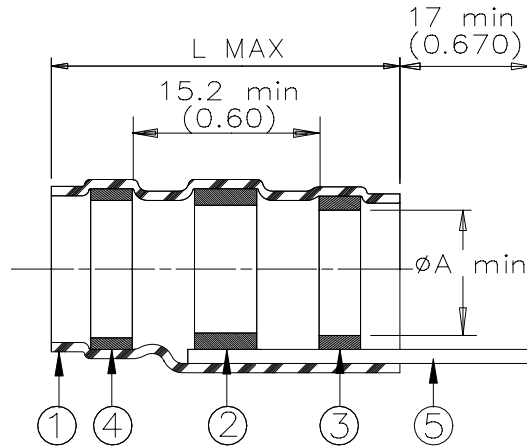
Tel: +86-755-8981 8866 Fax: +86-755-8427 6832

Email & Skype: info@chipsmall.com Web: www.chipsmall.com

Address: A1208, Overseas Decoration Building, #122 Zhenhua RD., Futian, Shenzhen, China



SPECIFICATION CONTROL DRAWING



Product Revision		Product Dimensions		Cable Dimensions		
Product Name		L max	øA min	øB max	øC min	øD min
CWT-3803-W3	B	42.0 (1.655)	2.7 (0.105)	2.7 (0.105)	1.8 (0.070)	1.3 (0.050)
CWT-3805-W3	A	42.0 (1.655)	4.5 (0.180)	4.5 (0.180)	2.3 (0.090)	1.8 (0.070)
CWT-3806-W3	B	42.0 (1.655)	6.0 (0.235)	6.0 (0.235)	3.3 (0.130)	2.8 (0.110)
CWT-3807-W3	A	42.0 (1.655)	7.0 (0.275)	7.0 (0.275)	3.7 (0.145)	3.2 (0.125)
CWT-3809-W3	B	42.0 (1.655)	8.7 (0.340)	8.7 (0.340)	4.2 (0.165)	3.7 (0.145)

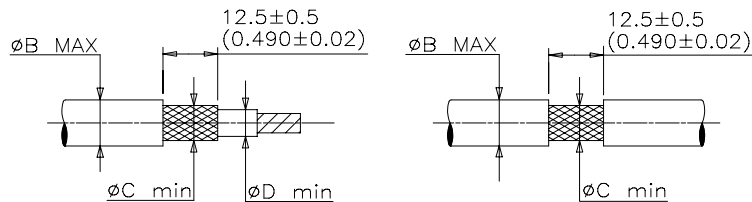
MATERIALS

- INSULATION SLEEVE: Heat-shrinkable, transparent clear, radiation cross-linked modified polyolefin.
- SOLDER PREFORM WITH FLUX:
SOLDER: TYPE Cd18per ANSI-J-STD-006.
FLUX: TYPE ROM1 per ANSI-J-STD-004.
- MELTABLE RING: Thermally stabilized thermoplastic. Color:clear.
- MELTABLE RING: Thermally stabilized thermoplastic. Color:blue.
- GROUND LEAD: W3: AWG22 solid tin plated copper, without insulation.

APPLICATION

- These controlled soldering devices are designed for termination of bare or tin plated copper shield on a cable having an insulation rated for at least +85°C.
- Temperature range: -55°C to +125°C. For installation procedure and application equipment, consult RPIP-824-00.

For best results, prepare the cable as shown:



* A trademark of Raychem Corporation.

Raychem		THERMOFIT DEVICES		Raychem Corporation 300 Constitution Drive Menlo Park, CA 94025 USA		TITLE: SOLDERSLEEVE* ONE STEP SHIELD TERMINATION WITH UNINSULATED LEAD-LOW TEMPERATURE	
UNLESS OTHERWISE SPECIFIED DIMENSIONS ARE IN MILLIMETERS. INCHES DIMENSIONS ARE BETWEEN BRACKETS.				DOCUMENT NO.: CWT-38XX-W3			
TOLERANCES: 0.00 N/A 0.0 N/A 0 N/A		ANGLES: N/A ROUGHNESS IN MICRON		Raychem reserves the right to amend this drawing at any time. Users should evaluate the suitability of the product for their application.		DCR NUMBER: D981000	
DRAWN BY: M. FORONDA		DATE: 06/15/98		PROD. REV. SEE TABLE		SCALE: None	
				DOC ISSUE: 6		SIZE: A	
						SHEET: 1 of 1	

**If this document is printed it becomes uncontrolled.
Check with the web for latest revision.**