



Chipsmall Limited consists of a professional team with an average of over 10 year of expertise in the distribution of electronic components. Based in Hongkong, we have already established firm and mutual-benefit business relationships with customers from,Europe,America and south Asia,supplying obsolete and hard-to-find components to meet their specific needs.

With the principle of "Quality Parts,Customers Priority,Honest Operation,and Considerate Service",our business mainly focus on the distribution of electronic components. Line cards we deal with include Microchip,ALPS,ROHM,Xilinx,Pulse,ON,Everlight and Freescale. Main products comprise IC,Modules,Potentiometer,IC Socket,Relay,Connector.Our parts cover such applications as commercial,industrial, and automotives areas.

We are looking forward to setting up business relationship with you and hope to provide you with the best service and solution. Let us make a better world for our industry!



Contact us

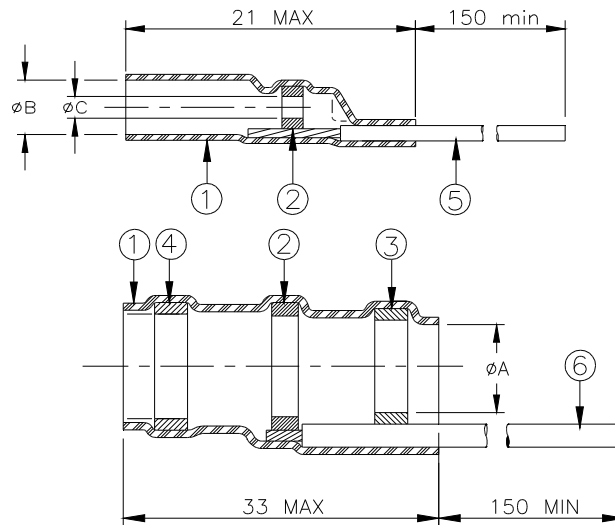
Tel: +86-755-8981 8866 Fax: +86-755-8427 6832

Email & Skype: info@chipsmall.com Web: www.chipsmall.com

Address: A1208, Overseas Decoration Building, #122 Zhenhua RD., Futian, Shenzhen, China



SPECIFICATION CONTROL DRAWING



Product Revision		Product Dimensions			Cable Dimensions				
Product Name		øA min	øB min	øC min	Typical	øE min	G	M	N
CWT-4058-W122-5/9	A	6.0 (0.235)	3.1 (0.120)	1.0 (0.040)	RG 58	3.3 (0.130)	19.0 (0.750)	12.5 (0.500)	6.0 (0.235)
CWT-4059-W122-5/9	A	7.0 (0.275)	3.9 (0.155)	1.0 (0.040)	RG59	3.7 (0.145)	19.0 (0.750)	12.5 (0.500)	6.0 (0.235)
CWT-4174-W122-5/9	A	4.5 (0.175)	1.7 (0.065)	1.0 (0.040)	RG 174	2.3 (0.090)	19.0 (0.750)	12.5 (0.500)	6.0 (0.235)

MATERIALS

1. INSULATION SLEEVE: Heat-shrinkable, transparent clear, radiation cross-linked modified polyolefin.
2. SOLDER PREFORM WITH FLUX:
 SOLDER: TYPE Cd18 per ANSI-J-STD-006.
 FLUX: TYPE ROM1 per ANSI-J-STD-004.
3. MELTABLE RING: Thermally stabilized thermoplastic. Color:clear.
4. MELTABLE RING: Thermally stabilized thermoplastic. Color:blue.
5. CONDUCTOR LEAD: Cross-linked polyolefin insulated stranded, tin plated copper. Color:white.
6. GROUND LEAD: Cross-linked polyolefin insulated stranded, tin plated copper. Color:green.

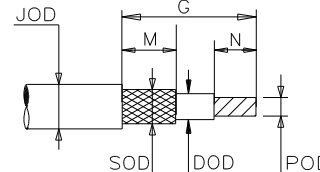
APPLICATION

1. These parts are designed to provide an environment protected coaxial termination on cables, rated for at least +65°C minimum, meeting the dimensional criteria listed, having bare copper, tin or silver plated shields and conductors.
2. Temperature range: -55°C to +125°C. Install using Raychem-approved convection heating tools in accordance with Raychem installation procedure RPIP-824-00.


Part selection:

- JOD: Cable jacket must be less than øA min.
 DOD: Cable dielectric must be less than øB min.
 SOD: Cable shield must be greater than øE min.
 POD: Conductor must be between øC min and 0.3(.012).

For best results, prepare the cable as shown:



* A trademark of TE Connectivity

 TE Connectivity 305 Constitution Drive Menlo Park, CA 94025, USA		Raychem Products		TITLE: COAXIAL TERMINATION KIT	
UNLESS OTHERWISE SPECIFIED DIMENSIONS ARE IN MILLIMETERS. INCHES DIMENSIONS ARE BETWEEN BRACKETS.				DOCUMENT NO.: CWT-4XXX-W122-5/9	
TOLERANCES: 0.00 N/A 0.0 N/A 0 N/A	ANGLES: N/A ROUGHNESS IN MICRON	TE Connectivity reserves the right to amend this drawing at any time. Users should evaluate the suitability of the product for their application.		DATE: 16-Apr-11	DOC ISSUE: 3
DRAWN BY: JRIVERA	REPLACES: D981001	DCR NUMBER: D981255	PROD. REV. SEE TABLE	SCALE: None	SIZE: A
				SHEET: 1 of 1	

Print Date: 9-May-11 If this document is printed it becomes uncontrolled. Check for the latest revision.