



Chipsmall Limited consists of a professional team with an average of over 10 year of expertise in the distribution of electronic components. Based in Hongkong, we have already established firm and mutual-benefit business relationships with customers from,Europe,America and south Asia,supplying obsolete and hard-to-find components to meet their specific needs.

With the principle of “Quality Parts,Customers Priority,Honest Operation,and Considerate Service”,our business mainly focus on the distribution of electronic components. Line cards we deal with include Microchip,ALPS,ROHM,Xilinx,Pulse,ON,Everlight and Freescale. Main products comprise IC,Modules,Potentiometer,IC Socket,Relay,Connector.Our parts cover such applications as commercial,industrial, and automotives areas.

We are looking forward to setting up business relationship with you and hope to provide you with the best service and solution. Let us make a better world for our industry!



## Contact us

Tel: +86-755-8981 8866 Fax: +86-755-8427 6832

Email & Skype: info@chipsmall.com Web: www.chipsmall.com

Address: A1208, Overseas Decoration Building, #122 Zhenhua RD., Futian, Shenzhen, China



## INSTALLATION OVERVIEW

The installation instructions contained in this document are provided as a guide for proper and reliable installation. The mounting location should be selected and prepared based on the application. All electrical wiring and mounting hardware (i.e. electrical mounting box, conduit, etc.) should be prepared with consideration of the requirements outlined in the wiring and mounting diagrams below.

These instructions include information as follows:

Description  
Product Configurations  
Enclosure Mounting  
Installing Individual Relay Cards  
Connecting Panel Power  
Connecting Lighting Loads  
Connecting Low Voltage Inputs  
Operating the Panel  
Troubleshooting  
Panel Specifications  
Panel Load Schedule Form  
Panel Maintenance

## PRECAUTIONS

- **READ AND FOLLOW ALL SAFETY INSTRUCTIONS.**
- **CAUTION - RISK OF ELECTRICAL SHOCK.** To prevent electrical shock, turn off power at the circuit breaker before installing or servicing unit. Never wire energized electrical components.
- **NOTICE:** For installation by a licensed electrician in accordance with National and/or local Electrical Codes and the following instructions.
- **CAUTION: USE COPPER CONDUCTOR ONLY.**
- Be sure to read and understand all instructions before installing or servicing unit
- For Indoor use only. Do not use outdoors.
- Do not mount near gas or electric heaters.
- Disconnect switch or a circuit breaker must be provided and marked as the disconnecting device.
- The use of accessory equipment not recommended by the manufacturer may cause an unsafe condition.
- Confirm that device ratings are suitable for application prior to installation.
- No user serviceable parts contained inside unit. Refer all service related questions to the factory.
- All servicing shall be performed by qualified service personnel.
- Equipment should be mounted in locations and at heights where it will not readily be subjected to tampering by unauthorized personnel.
- Use only approved materials and components (i.e. twist on connectors, electrical box, etc.) as appropriate for installation.
- **NOTICE:** Do not install if product appears to be damaged.
- If the equipment is used in a manner not specified by the manufacturer, the protection provided by the equipment may be impaired.
- Do not use this equipment for other than intended use.

**SAVE THESE INSTRUCTIONS!**



## DESCRIPTION

The CX Panel is shipped in one package. Panels are configured with all 4 or 8 relays of the same type installed or with space only for relays to be installed in the field. The relays are mounted with lighting circuit terminals in the high voltage area. The low voltage control inputs are located in the low voltage area of the panel. The following information describes the CX 4 and 8 relay panel installation. For programming information, refer to the “CX Panel Quick Start Guide” provided as a separate document with the Panel.

## PRODUCT CONFIGURATION

Relay Model	Relay Spaces	Input Voltage	Housing	Relay Quantity	Relay Type	Options
<b>CX</b>	<b>04</b> 4 Relay Spaces	<b>2</b> 120-208-220-277VAC	<b>S</b> Surface NEMA I	<b>00</b> No relays	<b>2N</b> 20A, 1P, N/O Elect Held	<b>N</b> Stand Alone (4-Relay ONLY) <b>M</b> Master (8 Relay ONLY) <b>S</b> Secondary (8 Relay ONLY)
	<b>08</b> 8 Relay Spaces	<b>3</b> 120-347VAC		<b>04</b> 4 Relays Installed	<b>3L</b> 30A, 1P, Latching	
				<b>08</b> 8 Relays Installed	<b>TN</b> 20A, 2P, N/O Elect Held <b>TC</b> 20A, 2P, N/C Elect Held <b>SP</b> Space Only	

Panels are available fully populated with a single relay type or with SP option (Space Only) to allow for field installation of individual relays. This is the methodology to provide for panels with a mix of more than one type of relay. Relays can be ordered separately as follows:

Relay Model	Relay Type
<b>CXR</b>	<b>2N</b> 20A, 1P, NO, Elect Held 120/277VAC
	<b>3L</b> 30A, 1P, Latching, 120/277/20A 347VAC
	<b>TN</b> 20A, 2P, NO Elect Held, 208/240/480VAC
	<b>TC</b> 20A, 2P, NC Elect Held, 208/240/480VAC

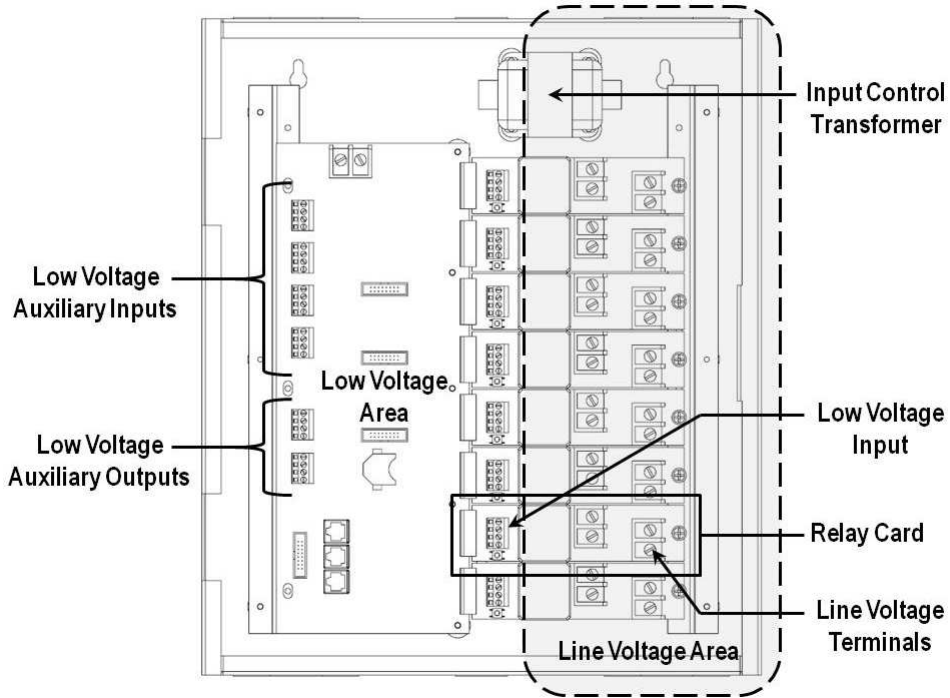
**NOTE: Relay model #'s CXR2N, CXR3L and CXRTN must be used in conjunction with model # LXUL924BR1 or LXUL924BR2 when used with emergency circuits. (Listed (FTBR/7) Emergency Lighting Load Switching Relay, Functional Devices Inc., cat. No. ESR2401B)**

## ENCLOSURE MOUNTING

Typically the CX panel is installed near the circuit breaker panel or in the ceiling of the room containing the lighting circuits to be controlled. Select an appropriate location that meets the environmental conditions listed in the specification section of this document. The panel interior is divided into high voltage and low voltage areas as shown in Figure 1 on page 3. Select an appropriate location for incoming line voltage panel power, branch circuits to be controlled and low voltage input wiring. The housing is supplied with conduit knock-outs labeled to indicate line or low voltage wiring use. All terminations within the panel enclosure require installation by a licensed electrician in accordance with National and/or local Electrical Codes.

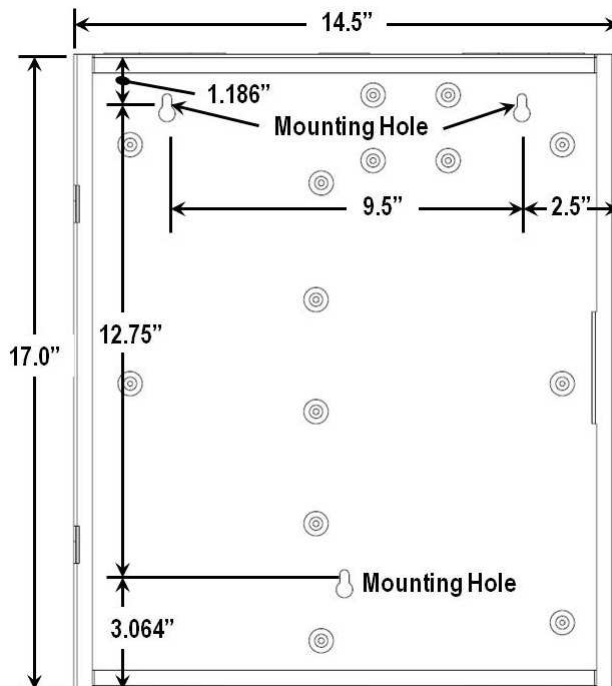


**FIGURE I- CX PANEL INTERIOR**



Locate the enclosure on the mounting surface and use a level to ensure that it is properly oriented and aligned. Secure the enclosure to the mounting surface with hardware as appropriate for the application using the three keyed mounting holes located near the top corners and in the center bottom of the enclosure as shown below in Figure 2.

**FIGURE 2 - ENCLOSURE MOUNTING HOLES**



## INSTALLING INDIVIDUAL RELAY CARDS

Relay Panels are most commonly shipped with all relay cards installed. If the project requires different types of relays installed in the same panel then the relays are supplied separately and they will require field installation. In this application reference the applicable Relay Installation Instructions supplied with the individual Relay Cards on how to install relays.

**Caution:** *ALWAYS remove supply power to the Panel control Transformer prior to making any connections between relay boards and panel processor board. Failure to do so may result in personnel injury, damage to the panel, and void its warranty*

## CONNECTING PANEL POWER

The panel is designed to operate on 120, 208, 240, or 277VAC for input voltage “2” designator or 120, 277, or 347VAC for input voltage “3” designator. Panel input power is supplied to the multi-tap transformer located in the upper center of the panel as shown in Figure 1 on page 3. With the power turned off, route the dedicated panel power supply leads to the transformer and connect them to the appropriate system voltage specific leads of the transformer. A voltage lead color label is located on or adjacent to the transformer. Connect the power supply ground lead to the panel chassis grounding lug. A label indicating this ground lug is located adjacent to the connection location.

**Caution:** *When power is applied to the transformer, the unused transformer leads become electrified. Cap unused transformer leads with wire nuts to prevent electrical shorting.*

## CONNECTING LIGHTING LOADS

With the power turned off, route the lighting system line and load leads through the high voltage area of the panel shown in Figure 1 on page 3. Connect line and load leads for each lighting load to the output terminals of the appropriate relay as delineated in the project plans and/or Panel Load Schedule.

**Notice:** *As a general rule, the panel is shipped with relays installed and electrically connected at their input control side. If, however, relays must be installed, reference the applicable Relay Installation Instructions supplied with the individual Relay Cards on how to install relays.*

**Caution:** *Prior to making any connections to the relay outputs, verify that none of the loads are shorted. Failure to do so may result in personnel injury, damage to the panel, and void its warranty*

**Notice:** *If no Panel Load Schedule exists, use the Panel Load Schedule Form supplied in the clear plastic pocket inside the Panel Door to record the lighting circuit relay assignments while connecting the relays*

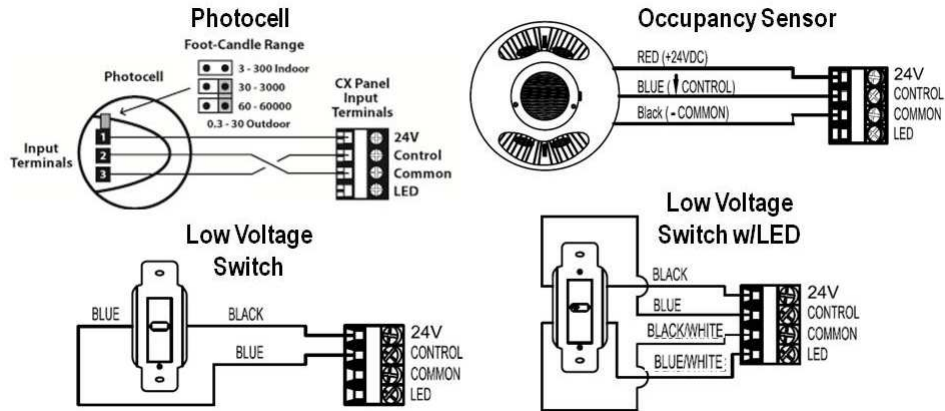
## CONNECTING LOW VOLTAGE INPUTS

Bring the low voltage wiring for the contact inputs in through the knockouts in the low voltage wiring area where indicated in Figure 1 on page 3. The CX 4 Relay Panel supports six inputs and the CX 8 Relay Panel supports 12 inputs. Inputs are software configurable through programming to support momentary switches, maintained switches (latching), motion sensors, or photocells. Each Relay Card includes one low voltage input. The panel mother board includes 2 Auxiliary Inputs for the CX 4 Relay Panel and 4 Auxiliary Inputs for the CX 8 Relay Panel. These inputs may be connected prior to programming. Inputs may be connected to any terminal location regardless of final control programming. Connect contact closure input devices to the input terminals using 18 AWG wire.

**Notice:** *Use the Panel Load Schedule Form supplied in the clear plastic pocket inside the Panel Door to record the low voltage input types while making connections.*

Low Voltage Control Diagrams shown in Figure 3 below are for use with Hubbell Building Automation Input Devices ONLY. Diagrams may not apply to input devices from other manufacturers.

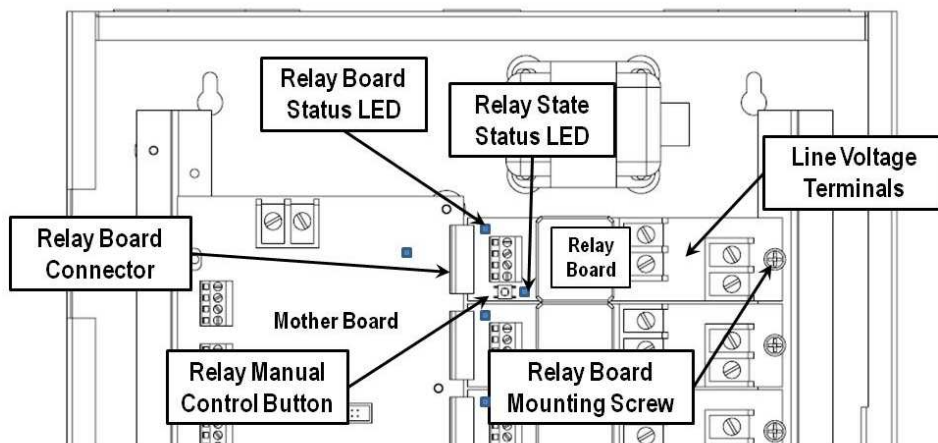
**FIGURE 3 - LOW VOLTAGE INPUT WIRING DIAGRAMS**



**OPERATING THE PANEL**

The User Interface control ribbon cable is supplied connected between the User Interface Ribbon Cable Connector on the Mother Board and the User Interface Module that is attached to the panel door. The red indicator in the cable should align with the Pin 1 designation. The green ground jumper is supplied connected between the panel door and the panel housing ground lug, labeled “GND”. Provide control power to the panel and restore power to the lighting circuits at the source circuit breakers. The panel will take a few moments to initialize during which time the User Interface screen on the front of the panel door will initiate and display the clock, date, and time zone un-programmed factory defaults. Inside the panel the Mother board power status LED will show continuous “green”. The Relay board status LED will turn on “green” for approximately 2 seconds and then go off. Push, but do not hold the Relay Manual Control button on each relay card to operate each relay to test functionality. The Relay State Status LED will turn on “red” when the relay is energized and be off when the relay is un-energized. The panel is now fully functional and ready to control the lighting loads.

**FIGURE 4 - PANEL START-UP CONTROLS**



## TROUBLESHOOTING

A blinking “green” Relay board status LED indicates that communication has not been properly established for this card. Contact Hubbell Building Automation Technical Service at **(800) 888-8006** for assistance and replacement as required. A complete Troubleshooting Guide is contained in the “CX Panel User Manual” provided as a downloadable document at [www.hubbell-automation.com](http://www.hubbell-automation.com).

## CX PANEL SPECIFICATIONS

- Panel Input Power Requirements:
  - Input Voltage “2” designator – 40VA, 120, 208, 240, or 277VAC
  - Input Voltage “3” designator – 40VA, 120, 277 or 347VAC
- Overall Dimensions:
  - Surface mount, 14.5” W x 17” H x 3.5” D.
- Relay Load Ratings:
  - CXR2N – 120/277VAC, Electrically Held, N/O - 20Amps - HID and Fluorescent Standard Ballast; 16Amps - Fluorescent Electronic Ballast ; 15 Amps - Tungsten (120VAC only), 1HP – 120VAC; 3/4HP 277VAC
  - CXR3L – 120/277/347VAC, Latching - 30Amps - HID and Fluorescent Standard Ballast at 120/277 VAC; 16 Amps - Fluorescent Electronic Ballast at 120/277 VAC; 20Amps - Tungsten at 120VAC; 1HP – 120VAC; 3/4HP 277VAC; 20Amps - HID and Fluorescent Ballast at 347VAC
  - CXRTN – 208/240/480VAC, Electrically Held, N/O - 16Amps - HID Ballast; 2HP
  - CXRTC – 208/240/480VAC, Electrically Held, N/C - 16Amps - HID Ballast; 2HP
- Low Voltage Inputs:
  - CX 4-Relay Panel – Six available inputs
  - CX 8-Relay panel – 12 available inputs.
  - Low Voltage Switches – 2 or 3 wire momentary or maintained style, with or without LED indication. LED indication support is LED – “ON” when switch is active and LED – “OFF” when switch is inactive. Green “ON” with Red “OFF” indication is not supported.
  - Motion Sensor Input – Three wire 24 VDC, Maximum of 8 sensors can be connected to 4 or 8-Relay Panels.
  - Photocell – Three wire 24VDC power, 0-10V DC control input.
- Output Relay Contacts
  - Two each for 8-Relay panel only – Dry Contact Output, NO/NC, 24V AC/DC, 50mA
- Operating Environment:
  - Indoor Use Only; 0 to 50°C; Relative Humidity: 0 – 90% non-condensing.
- Line Voltage Terminal Torque Ratings:
  - CXR2N and CXR3L maximum torque = 16 lb-in. CXRTN and CXRTC maximum torque = 12 lb-in.

## PANEL LOAD SCHEDULE FORM

A Panel Load Schedule Form is supplied in the clear plastic pocket inside the Panel Door to record the lighting circuit relay assignments while connecting the relays. Low voltage input types and assignments should also be recorded on the form.

## PANEL MAINTENANCE

The only replaceable part that will require maintenance is the battery that serves to back-up the clock during power outages. This battery is designed for 10 years of service and can be checked in the System Tools menu: Select Diagnostics then Battery Back-up. The battery is located in the controller. Disconnect power to the panel. Disconnect the controller ribbon cable from the motherboard. Remove the controller from the door by removing three screws located on the back of the door behind the controller and replace the battery.