



Chipsmall Limited consists of a professional team with an average of over 10 year of expertise in the distribution of electronic components. Based in Hongkong, we have already established firm and mutual-benefit business relationships with customers from,Europe,America and south Asia,supplying obsolete and hard-to-find components to meet their specific needs.

With the principle of “Quality Parts,Customers Priority,Honest Operation,and Considerate Service”,our business mainly focus on the distribution of electronic components. Line cards we deal with include Microchip,ALPS,ROHM,Xilinx,Pulse,ON,Everlight and Freescale. Main products comprise IC,Modules,Potentiometer,IC Socket,Relay,Connector.Our parts cover such applications as commercial,industrial, and automotives areas.

We are looking forward to setting up business relationship with you and hope to provide you with the best service and solution. Let us make a better world for our industry!



Contact us

Tel: +86-755-8981 8866 Fax: +86-755-8427 6832

Email & Skype: info@chipsmall.com Web: www.chipsmall.com

Address: A1208, Overseas Decoration Building, #122 Zhenhua RD., Futian, Shenzhen, China



CX2047LANL

- Balun Transformer
- 1:4CT Impedance
- Surface Mount

ELECTRICAL SPECIFICATIONS: @ 25°C

RETURN LOSS:

FREQUENCY	RETURN LOSS
.5 MHz	-17 dB MIN
1 MHz	-20 dB MIN
10 MHz	-29 dB MIN
50 MHz	-28 dB MIN
70 MHz	-27 dB MIN

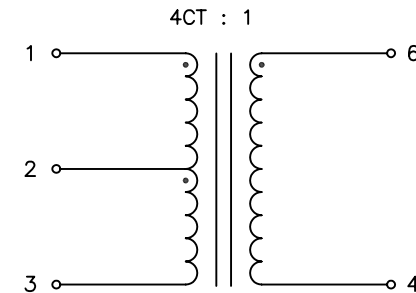
FREQUENCY	RETURN LOSS
100 MHz	-25 dB MIN
150 MHz	-21 dB MIN
200 MHz	-18 dB MIN
250 MHz	-16 dB MIN
300 MHz	-14 dB MIN

INSERTION LOSS:

FREQUENCY	ATTENUATION
100 KHz	-4 dB MAX
.5 MHz	-1 dB MAX
1.5-100 MHz	-0.5 dB MAX
300 MHz	-1 dB MAX

NOTES: UNLESS OTHERWISE SPECIFIED

1. OPERATING TEMPERATURE: -40°C TO +85°C
2. STORAGE TEMPERATURE: -50°C TO +125°C
3. JEDEC MOISTURE: LEVEL 1.
4. DIMENSIONS ARE IN INCHES WITH THE FOLLOWING TOLERANCE:
.XX= ±.01
.XXX= ±.005
5. OPTIONAL TAPE & REEL PACKAGING CAN BE ORDERED
BY ADDING A "T" SUFFIX TO THE PART NUMBER(EX: CX2047LANLT)
6. ROHS COMPLIANT



SCHEMATIC

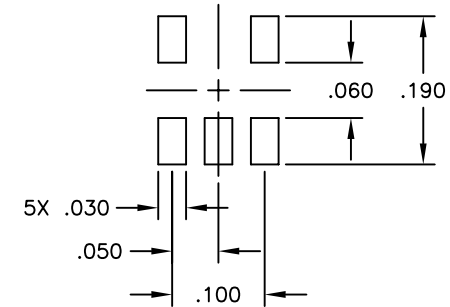
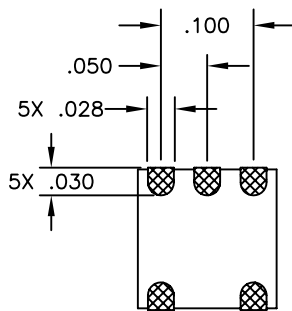
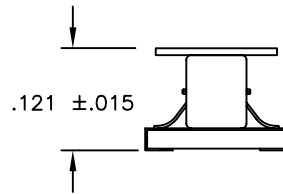
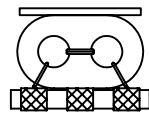
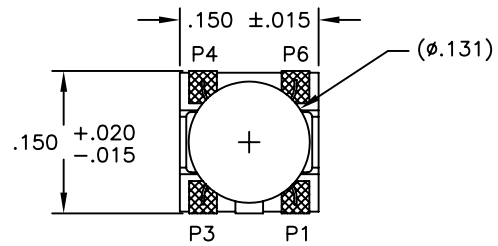
© Copyright, 2014. Pulse Electronics Corp. All rights reserved. Drawing specifications subject to change without notice. (02/14/14)

PULSE CONFIDENTIAL
&
PROPRIETARY

PRODUCT SPECIFICATION:
XFMR, RF, SGL, RAC, 1:4CT, 0.5-300MHz

DWG. NO./ PART NO.	SHEET:	REV.
CX2047LANL	1	M12

MECHANICAL SPECIFICATIONS:



SUGGESTED LAND PATTERN

© Copyright, 2014. Pulse Electronics Corp. All rights reserved. Drawing specifications subject to change without notice. (02/14/14)

PULSE CONFIDENTIAL
 &
 PROPRIETARY

PRODUCT SPECIFICATION:
 XFMR, RF, SGL, RAC, 1:4CT, 0.5–300MHz

DWG. NO./ PART NO.	SHEET:	REV.
CX2047LANL	2	M12