



Chipsmall Limited consists of a professional team with an average of over 10 year of expertise in the distribution of electronic components. Based in Hongkong, we have already established firm and mutual-benefit business relationships with customers from,Europe,America and south Asia,supplying obsolete and hard-to-find components to meet their specific needs.

With the principle of “Quality Parts,Customers Priority,Honest Operation,and Considerate Service”,our business mainly focus on the distribution of electronic components. Line cards we deal with include Microchip,ALPS,ROHM,Xilinx,Pulse,ON,Everlight and Freescale. Main products comprise IC,Modules,Potentiometer,IC Socket,Relay,Connector.Our parts cover such applications as commercial,industrial, and automotives areas.

We are looking forward to setting up business relationship with you and hope to provide you with the best service and solution. Let us make a better world for our industry!



## Contact us

Tel: +86-755-8981 8866 Fax: +86-755-8427 6832

Email & Skype: info@chipsmall.com Web: www.chipsmall.com

Address: A1208, Overseas Decoration Building, #122 Zhenhua RD., Futian, Shenzhen, China



## CX3099NL

- COUPLER, 16dB
- 10–1000MHz
- IMPEDANCE = 50 OHMS
- SURFACE MOUNT

### ELECTRICAL SPECIFICATIONS: @ 25°C

INSERTION LOSS: (IN–OUT)

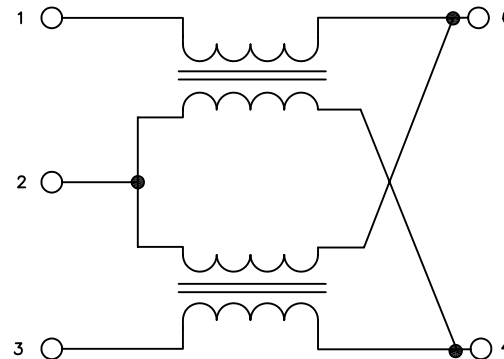
FREQUENCY	ATTENUATION (S21)
10–1000 MHz	–2.0 dB MAXIMUM

INSERTION LOSS: (IN–BR)

FREQUENCY	ATTENUATION (S21)
10–1000 MHz	–16 ±2.5 dB

#### NOTES: UNLESS OTHERWISE SPECIFIED

1. OPERATING TEMPERATURE: –40°C TO +85°C
2. STORAGE TEMPERATURE: –50°C TO +125°C
3. COMPLIANCE TO J–STD:
  - J–STD–002: SOLDERABILITY AT REFLOW PEAK TEMPERATURE OF 245°C
  - J–STD–020: MSL 1, NO MOISTURE SENSITIVE
  - J–STD–075: R6, 250°C MAXIMUM THROUGH REFLOW SOLDER
4. DIMENSIONS ARE IN MM [INCHES].
  - TOLERANCE:
  - .X = ±0.25 [±.010]
  - .XX = ±0.13 [±.005]
5. OPTIONAL TAPE & REEL PACKAGING CAN BE ORDERED BY ADDING A "T" SUFFIX TO THE PART NUMBER. ie: CX3099NLT



SCHEMATIC

© Copyright, 2014. Pulse Electronics Corp. All rights reserved. Pulse confidential & proprietary. (04/14/2014)

PRODUCT DESCRIPTION:

CPLR,DIR,10–1000M,16dB,KAYAK,SMT

SHEET:

1 OF 2

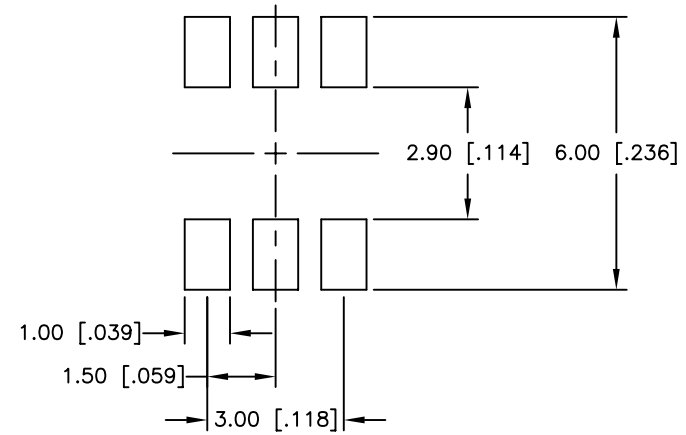
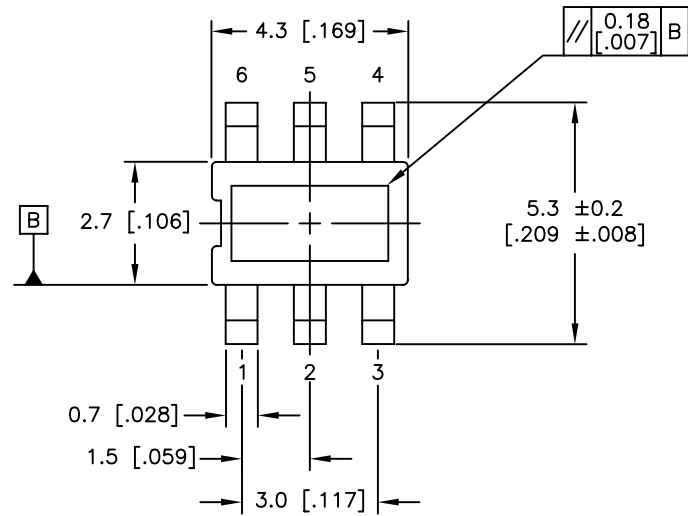
PART NO.

CX3099NL

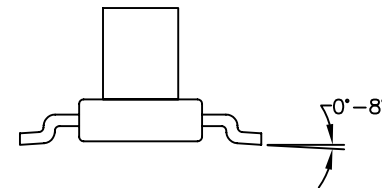
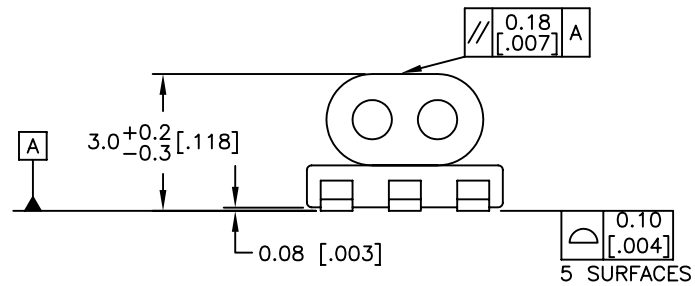
DATASHEET REV.

M10

**MECHANICAL SPECIFICATIONS:**



SUGGESTED LAND PATTERN



© Copyright, 2014. Pulse Electronics Corp. All rights reserved. Pulse confidential & proprietary. (04/14/2014)

PRODUCT DESCRIPTION:		SHEET:	PART NO.	DATASHEET REV.
CPLR,DIR,10-1000M,16dB,KAYAK,SMT		2 OF 2	CX3099NL	M10