



Chipsmall Limited consists of a professional team with an average of over 10 year of expertise in the distribution of electronic components. Based in Hongkong, we have already established firm and mutual-benefit business relationships with customers from,Europe,America and south Asia,supplying obsolete and hard-to-find components to meet their specific needs.

With the principle of “Quality Parts,Customers Priority,Honest Operation,and Considerate Service”,our business mainly focus on the distribution of electronic components. Line cards we deal with include Microchip,ALPS,ROHM,Xilinx,Pulse,ON,Everlight and Freescale. Main products comprise IC,Modules,Potentiometer,IC Socket,Relay,Connector.Our parts cover such applications as commercial,industrial, and automotives areas.

We are looking forward to setting up business relationship with you and hope to provide you with the best service and solution. Let us make a better world for our industry!



## Contact us

Tel: +86-755-8981 8866 Fax: +86-755-8427 6832

Email & Skype: info@chipsmall.com Web: www.chipsmall.com

Address: A1208, Overseas Decoration Building, #122 Zhenhua RD., Futian, Shenzhen, China

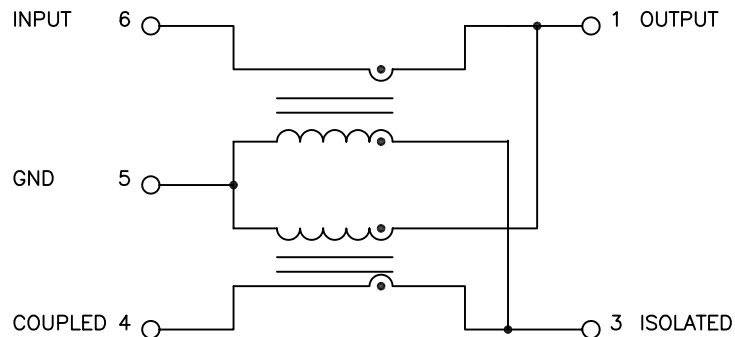


## CX3120NL

- COUPLER, 14dB
- 5-1000MHz
- IMPEDANCE = 75 OHMS
- SURFACE MOUNT

NOTES: UNLESS OTHERWISE SPECIFIED:

1. OPERATING TEMPERATURE: -40°C TO +85°C.
2. STORAGE TEMPERATURE: -50°C TO +125°C
3. JEDEC MOISTURE: LEVEL 1.
4. DIMENSIONS ARE IN INCH WITH THE FOLLOWING TOLERANCES:  
.XX ±.01  
.XXX ±.005
5. REVISION LEVEL M10,M11...MX IS FOR A RELEASED PRODUCTS.
6. OPTIONAL TAPE & REEL PACKAGING CAN BE ORDERED BY ADDING  
A "T" SUFFIX TO THE PART NUMBER. ie: CX3120NLT
7. ROHS COMPLIANT



SCHEMATIC

### ELECTRICAL SPECIFICATIONS @ 25°C:

#### INSERTION LOSS:

FREQUENCY	
5-870 MHz	-1.5 dB MIN
870-1000 MHz	-1.8 dB MIN

#### INPUT RETURN LOSS:

FREQUENCY	
5-870 MHz	-20.0 dB MAX
870-1000 MHz	-18.0 dB MAX

#### OUTPUT RETURN LOSS:

FREQUENCY	
5-870 MHz	-20.0 dB MAX
870-1000 MHz	-20.0 dB MAX

#### COUPLING FORWARD:

FREQUENCY	
5-870 MHz	-14.3 dB ± 0.5 dB
870-1000 MHz	-14.3 dB ± 0.7 dB

#### COUPLED PORT RETURN LOSS:

FREQUENCY	
5-870 MHz	-18.0 dB MAX
870-1000 MHz	-18.0 dB MAX

© Copyright, 2014. Pulse Electronics, Inc. All rights reserved. Drawing specifications subject to change without notice. Date (02/17/14)

PULSE CONFIDENTIAL  
&  
PROPRIETARY

PRODUCT SPECIFICATION:

CPLR, IND, 14DB 5-1000MHz, SM

DWG. NO./ PART NO.

CX3120NL

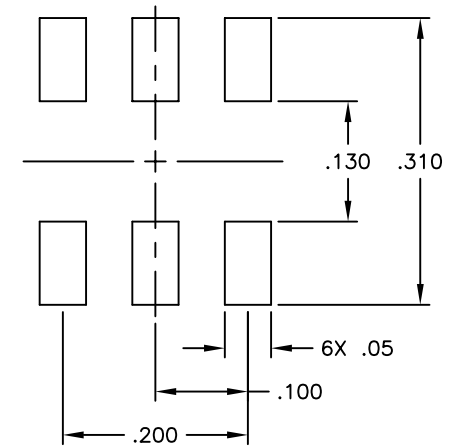
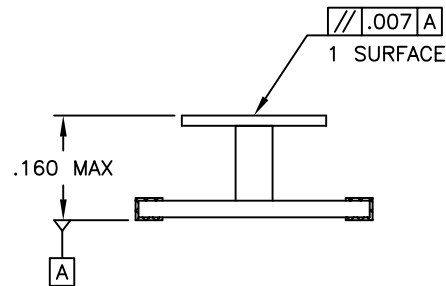
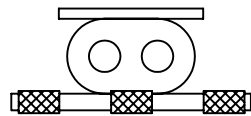
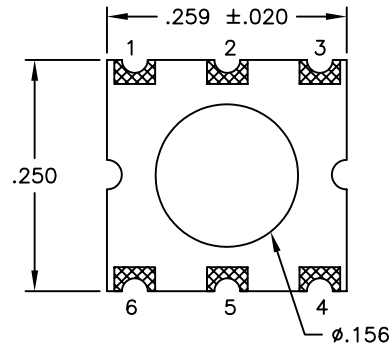
SHEET:

1

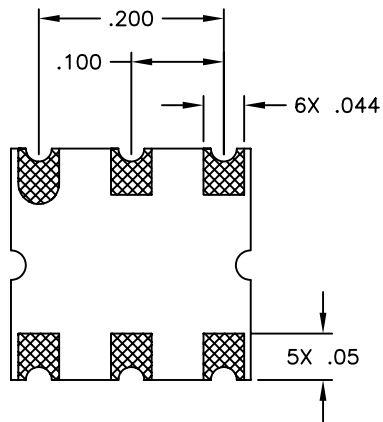
REV.

M15

MECHANICAL SPECIFICATIONS:



SUGGESTED LAND PATTERN



© Copyright, 2014. Pulse Electronics, Inc. All rights reserved. Drawing specifications subject to change without notice. Date (02/17/14)

PULSE CONFIDENTIAL  
&  
PROPRIETARY

PRODUCT SPECIFICATION:

CPLR, IND, 14DB 5-1000MHz, SM

DWG. NO./ PART NO.

CX3120NL

SHEET:

2

REV.

M15