



Chipsmall Limited consists of a professional team with an average of over 10 year of expertise in the distribution of electronic components. Based in Hongkong, we have already established firm and mutual-benefit business relationships with customers from,Europe,America and south Asia,supplying obsolete and hard-to-find components to meet their specific needs.

With the principle of “Quality Parts,Customers Priority,Honest Operation,and Considerate Service”,our business mainly focus on the distribution of electronic components. Line cards we deal with include Microchip,ALPS,ROHM,Xilinx,Pulse,ON,Everlight and Freescale. Main products comprise IC,Modules,Potentiometer,IC Socket,Relay,Connector.Our parts cover such applications as commercial,industrial, and automotives areas.

We are looking forward to setting up business relationship with you and hope to provide you with the best service and solution. Let us make a better world for our industry!



## Contact us

Tel: +86-755-8981 8866 Fax: +86-755-8427 6832

Email & Skype: info@chipsmall.com Web: www.chipsmall.com

Address: A1208, Overseas Decoration Building, #122 Zhenhua RD., Futian, Shenzhen, China





## CX4012LNL

- RF SPLITTER, 2-WAY
- 5-1000 MHz
- 0-DEG
- IMPEDANCE = 75 OHMS
- SURFACE MOUNT

### NOTES: UNLESS OTHERWISE SPECIFIED

1. OPERATING TEMPERATURE: -40°C TO +85°C
2. STORAGE TEMPERATURE: -50°C TO +125°C
3. COMPLIANCE TO J-STD:
  - J-STD-002: SOLDERABILITY AT REFLOW PEAK TEMPERATURE OF 245°C
  - J-STD-020: MSL 1, NO MOISTURE SENSITIVE
  - J-STD-075: R6, 250°C MAXIMUM THROUGH REFLOW SOLDER
4. DIMENSIONS ARE IN INCHES.
  - TOLERANCE:
    - .XX= ±.01
    - .XXX= ±.005
5. OPTIONAL TAPE & REEL PACKAGING CAN BE ORDERED BY ADDING A "T" SUFFIX TO THE PART NUMBER. ie: CX4012LNLT

### ELECTRICAL SPECIFICATIONS: @ 25°C

#### INSERTION LOSS:

FREQUENCY	ATTENUATION
5-40 MHz	3.8 dB MAX
41-600 MHz	3.6 dB MAX
601-870 MHz	3.85 dB MAX
871-1000 MHz	4.2 dB MAX

#### ISOLATION:

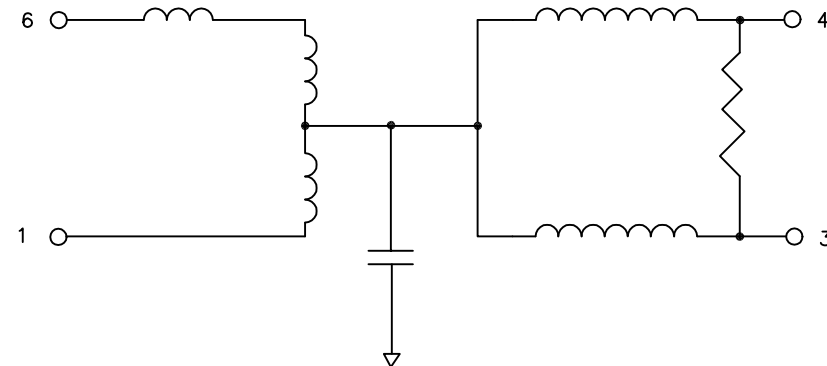
FREQUENCY	ATTENUATION
5-40 MHz	16.5 dB MAX
41-600 MHz	22.0 dB MAX
601-1000 MHz	22.0 dB MAX

#### RETURN LOSS:

FREQUENCY	ATTENUATION
5-40 MHz	13.0 dB MIN
41-600 MHz	19.0 dB MIN
601-1000 MHz	18.0 dB MIN

#### AMPLITUDE UNBALANCE:

FREQUENCY	ATTENUATION
5-40 MHz	0.4 dB MAX
41-1000 MHz	0.3 dB MAX



© Copyright, 2014. Pulse Electronics Corp. All rights reserved. Pulse confidential & proprietary. (06/13/2014)

PRODUCT DESCRIPTION:

SPLTR,2-WAY,0-DEG,SPLTR;5-1000M,TERMINATED,FR4

SHEET:

1 OF 2

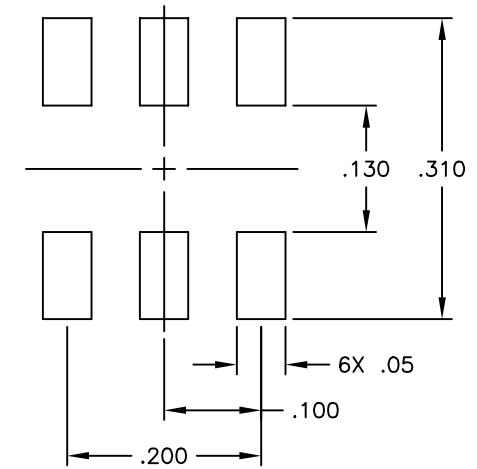
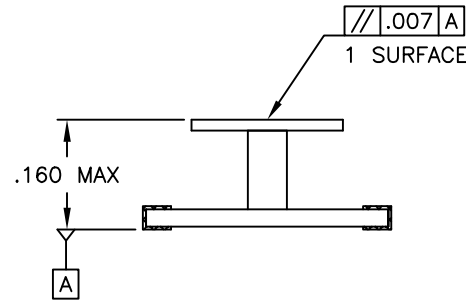
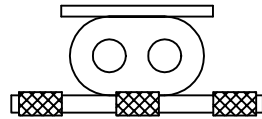
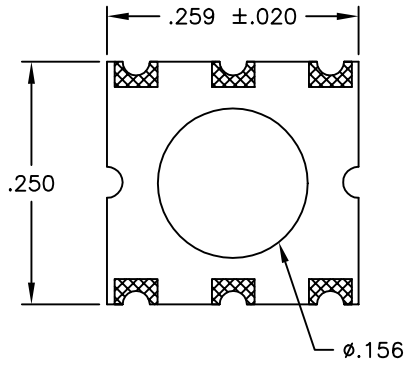
PART NO.

CX4012LNL

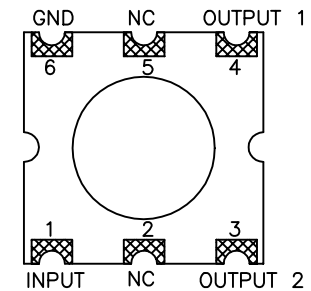
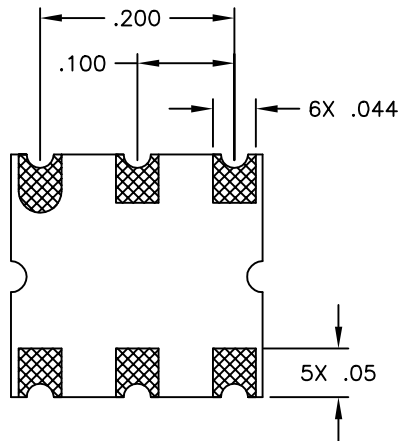
DATASHEET REV.

A

**MECHANICAL SPECIFICATIONS:**



SUGGESTED LAND PATTERN



© Copyright, 2014. Pulse Electronics Corp. All rights reserved. Pulse confidential & proprietary. (06/13/2014)

PRODUCT DESCRIPTION:

SPLTR,2-WAY,0-DEG,SPLTR;5-1000M,TERMINATED,FR4

SHEET:

2 OF 2

PART NO.

CX4012LNL

DATASHEET REV.

A