



Chipsmall Limited consists of a professional team with an average of over 10 year of expertise in the distribution of electronic components. Based in Hongkong, we have already established firm and mutual-benefit business relationships with customers from,Europe,America and south Asia,supplying obsolete and hard-to-find components to meet their specific needs.

With the principle of “Quality Parts,Customers Priority,Honest Operation,and Considerate Service”,our business mainly focus on the distribution of electronic components. Line cards we deal with include Microchip,ALPS,ROHM,Xilinx,Pulse,ON,Everlight and Freescale. Main products comprise IC,Modules,Potentiometer,IC Socket,Relay,Connector.Our parts cover such applications as commercial,industrial, and automotives areas.

We are looking forward to setting up business relationship with you and hope to provide you with the best service and solution. Let us make a better world for our industry!



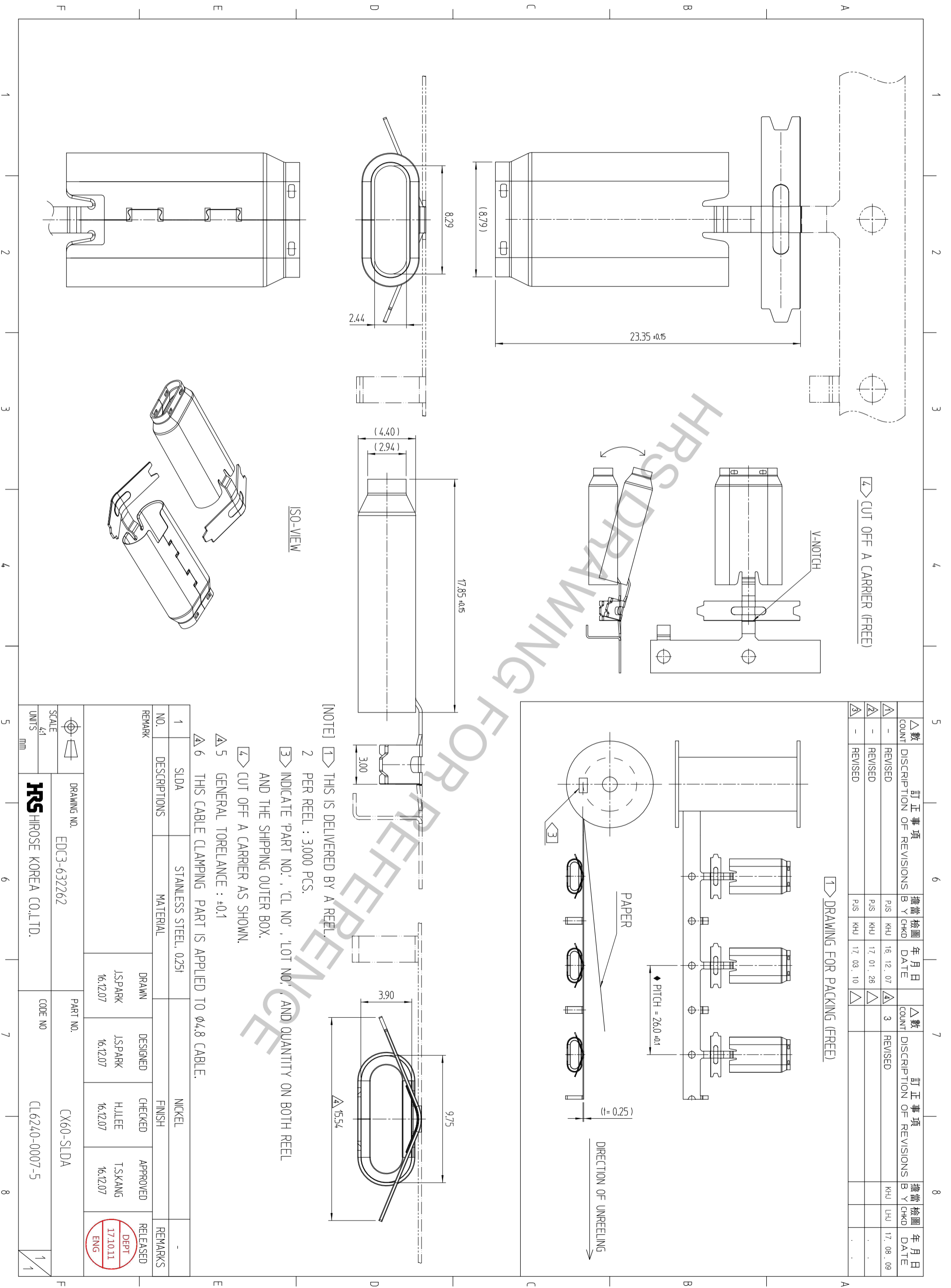
Contact us

Tel: +86-755-8981 8866 Fax: +86-755-8427 6832

Email & Skype: info@chipsmall.com Web: www.chipsmall.com

Address: A1208, Overseas Decoration Building, #122 Zhenhua RD., Futian, Shenzhen, China





| △數 | 訂正事項 | 擔當 | 檢圖 | 年月日 | △數 | 訂正事項 | 擔當 | 檢圖 | 年月日 |
|-------|-------------------------|-----|------|------------|-------|-------------------------|-----|------|------------|
| COUNT | DISCUSSION OF REVISIONS | B Y | CHKD | DATE | COUNT | DISCUSSION OF REVISIONS | B Y | CHKD | DATE |
| - | REVISED | PJS | KHU | 16. 12. 07 | 3 | REVISED | | | 17. 08. 09 |
| - | REVISED | PJS | KHU | 17. 01. 26 | | | | | |
| - | REVISED | PJS | KHU | 17. 03. 10 | | | | | |

[NOTE] 1 THIS IS DELIVERED BY A REEL.
 2 PER REEL : 3,000 PCS.
 3 INDICATE 'PART NO.', 'CL NO.', 'LOT NO.', AND QUANTITY ON BOTH REEL AND THE SHIPPING OUTER BOX.
 4 CUT OFF A CARRIER AS SHOWN.
 5 GENERAL TOLERANCE : ±0.1
 6 THIS CABLE CLAMPING PART IS APPLIED TO φ4.8 CABLE.

ISO-VIEW

1 DRAWING FOR PACKING (FREE)

4 CUT OFF A CARRIER (FREE)

V-NOTCH

PAPER

PITCH = 26.0 ±0.1

±0.25

DIRECTION OF UNREELING

| NO. | DESCRIPTIONS | MATERIAL | DRAWN | DESIGNED | CHECKED | APPROVED | REMARKS |
|-----|--------------|------------------------|----------------------|----------------------|---------------------|----------------------|--|
| 1 | SLDA | STAINLESS STEEL, 0.25I | J.S.PARK 16.12.07 | J.S.PARK 16.12.07 | H.J.LEE 16.12.07 | T.S.KANG 16.12.07 | NICKEL RELEASED DEPT 17.10.11 ENG |

| | | |
|-----------------------------|----------------------------------|--------------------------|
| SCALE 4:1 UNITS mm | DRAWING NO. EDC3-632262 | PART NO. CX60-SLDA |
| | HRS HIROSE KOREA CO.,LTD. | CODE NO CL6240-0007-5 |