



Chipsmall Limited consists of a professional team with an average of over 10 year of expertise in the distribution of electronic components. Based in Hongkong, we have already established firm and mutual-benefit business relationships with customers from,Europe,America and south Asia,supplying obsolete and hard-to-find components to meet their specific needs.

With the principle of “Quality Parts,Customers Priority,Honest Operation,and Considerate Service”,our business mainly focus on the distribution of electronic components. Line cards we deal with include Microchip,ALPS,ROHM,Xilinx,Pulse,ON,Everlight and Freescale. Main products comprise IC,Modules,Potentiometer,IC Socket,Relay,Connector.Our parts cover such applications as commercial,industrial, and automotives areas.

We are looking forward to setting up business relationship with you and hope to provide you with the best service and solution. Let us make a better world for our industry!



Contact us

Tel: +86-755-8981 8866 Fax: +86-755-8427 6832

Email & Skype: info@chipsmall.com Web: www.chipsmall.com

Address: A1208, Overseas Decoration Building, #122 Zhenhua RD., Futian, Shenzhen, China



PRODUCT DATASHEET

PART NUMBER: CX6155NL

- Diplexer 5-865/975-1025 MHz
- Suitable for MoCA Applications / FTTP-ONT
- Impedance = 75 Ohms
- Surge Protection 10/1000 uS, 3KV, 120A
- RoHS Compliant
- Operating Temperature = -40°C to 85°C

Electrical Specifications @ 25°C

INSERTION LOSS : CATV

5-865 MHz	975-1025 MHz								
1.8 dB Max	45 dB Min								

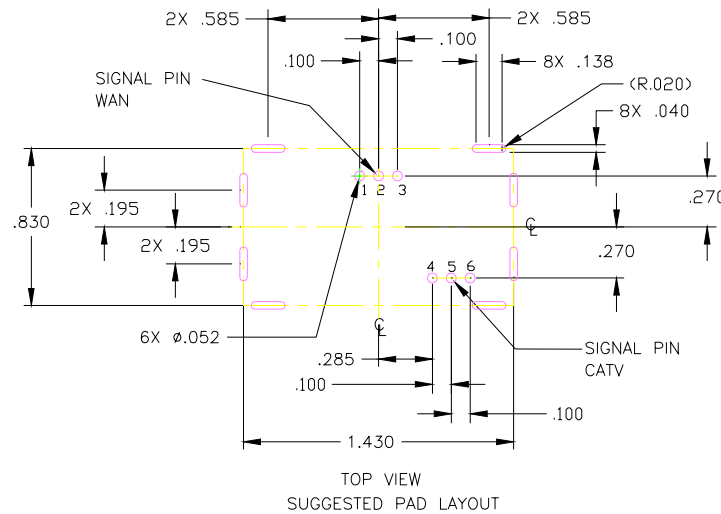
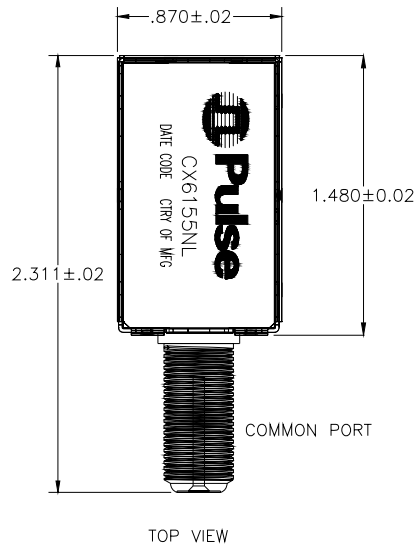
INSERTION LOSS : WAN

5-600 MHz	601-865 MHz	975-1025 MHz	1125-1324 MHz	1325-1525 MHz	2000 MHz				
50 dB Min	40 dB Min	4.0 dB Max	44 dB Min	45 dB Min	50 dB Min				

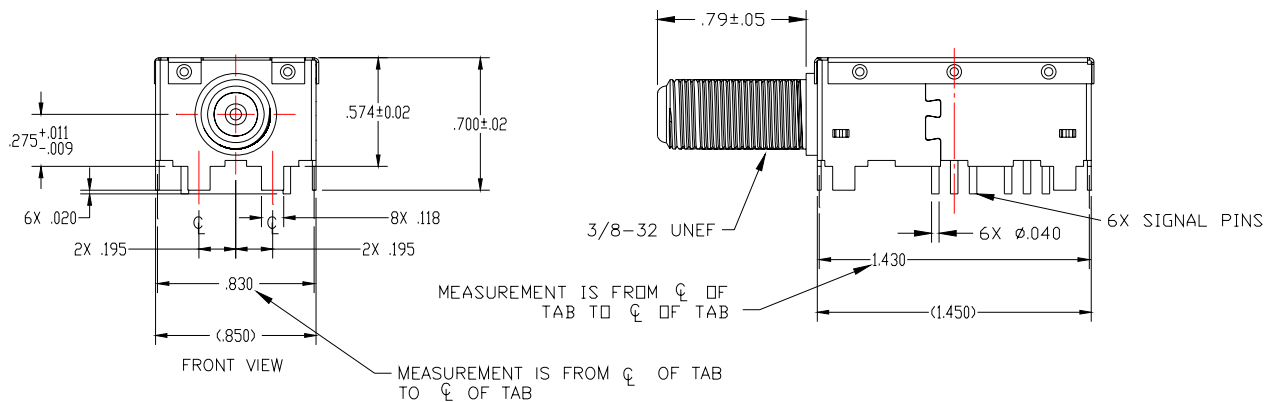
RETURN LOSS :

5-865 MHz	975-1025 MHz								
12 dB Min	10 dB Min								

Mechanical Specifications



DESIGNATIONS	
COMMON PORT (CP)	FC1
HIGHPASS (WAN)	PIN 2
LOWPASS (CATV)	PIN 5
GROUND (GND)	PINS 1 & 3
GROUND (GND)	PINS 4 & 6



HOUSING SPECIFICATIONS:
 BODY - SPTE
 CONNECTOR - F TYPE, FEMALE

DIMENSIONS	INCH
TOLERANCES	.XX +/- .01
	.XXX +/- .005