



Chipsmall Limited consists of a professional team with an average of over 10 year of expertise in the distribution of electronic components. Based in Hongkong, we have already established firm and mutual-benefit business relationships with customers from,Europe,America and south Asia,supplying obsolete and hard-to-find components to meet their specific needs.

With the principle of “Quality Parts,Customers Priority,Honest Operation,and Considerate Service”,our business mainly focus on the distribution of electronic components. Line cards we deal with include Microchip,ALPS,ROHM,Xilinx,Pulse,ON,Everlight and Freescale. Main products comprise IC,Modules,Potentiometer,IC Socket,Relay,Connector.Our parts cover such applications as commercial,industrial, and automotives areas.

We are looking forward to setting up business relationship with you and hope to provide you with the best service and solution. Let us make a better world for our industry!



Contact us

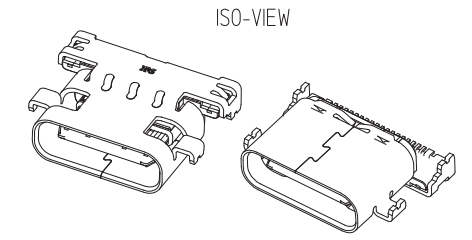
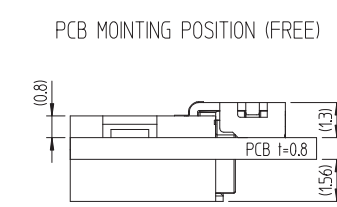
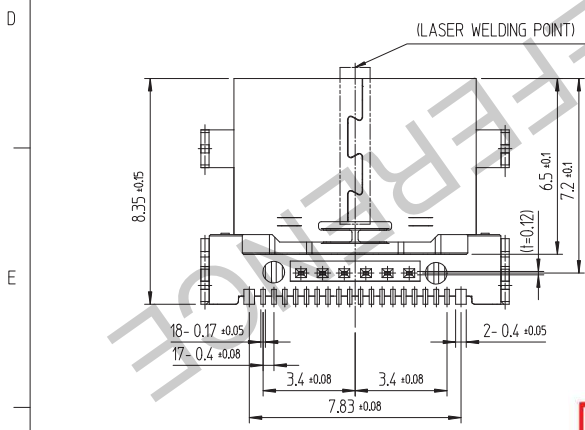
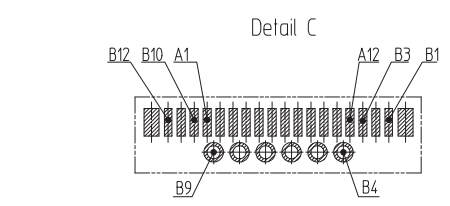
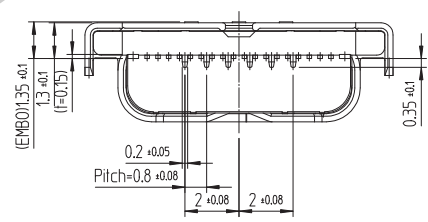
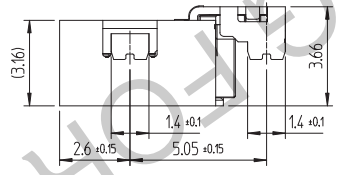
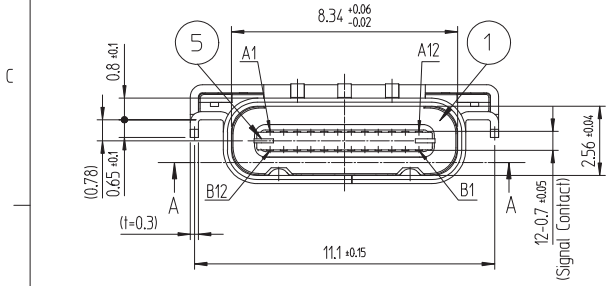
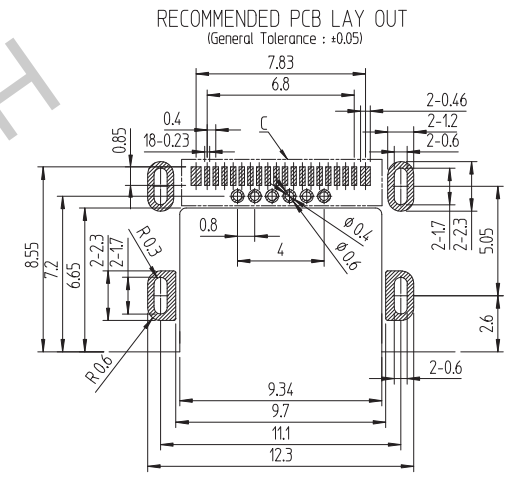
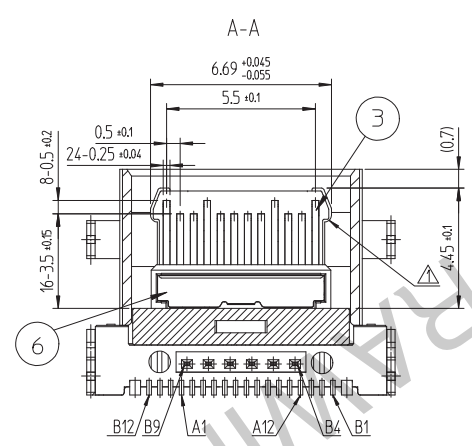
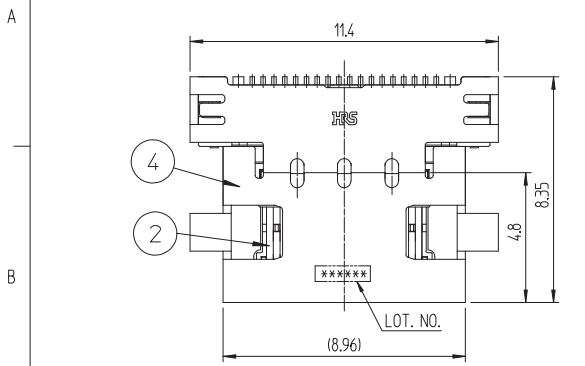
Tel: +86-755-8981 8866 Fax: +86-755-8427 6832

Email & Skype: info@chipsmall.com Web: www.chipsmall.com

Address: A1208, Overseas Decoration Building, #122 Zhenhua RD., Futian, Shenzhen, China



| △數 COUNT | 訂正事項 DISCRPTION OF REVISIONS | 檢査者 B Y | 檢査日 CHKD DATE | △數 COUNT | 訂正事項 DISCRPTION OF REVISIONS | 檢査者 B Y | 檢査日 CHKD DATE |
|-------------|---------------------------------|------------|------------------|-------------|---------------------------------|------------|------------------|
| 1 | [RE-2-0831] | LCE | LHJ 15.12.10 | | | | |
| | | | | | | | |
| | | | | | | | |



NOTE) 1. LEAD CO-PLANARITY SHALL BE 0.08MAX.
 2. PER REEL : 1,500 CONNECTORS.
 3. GENERAL TOLERANCE : ±0.15

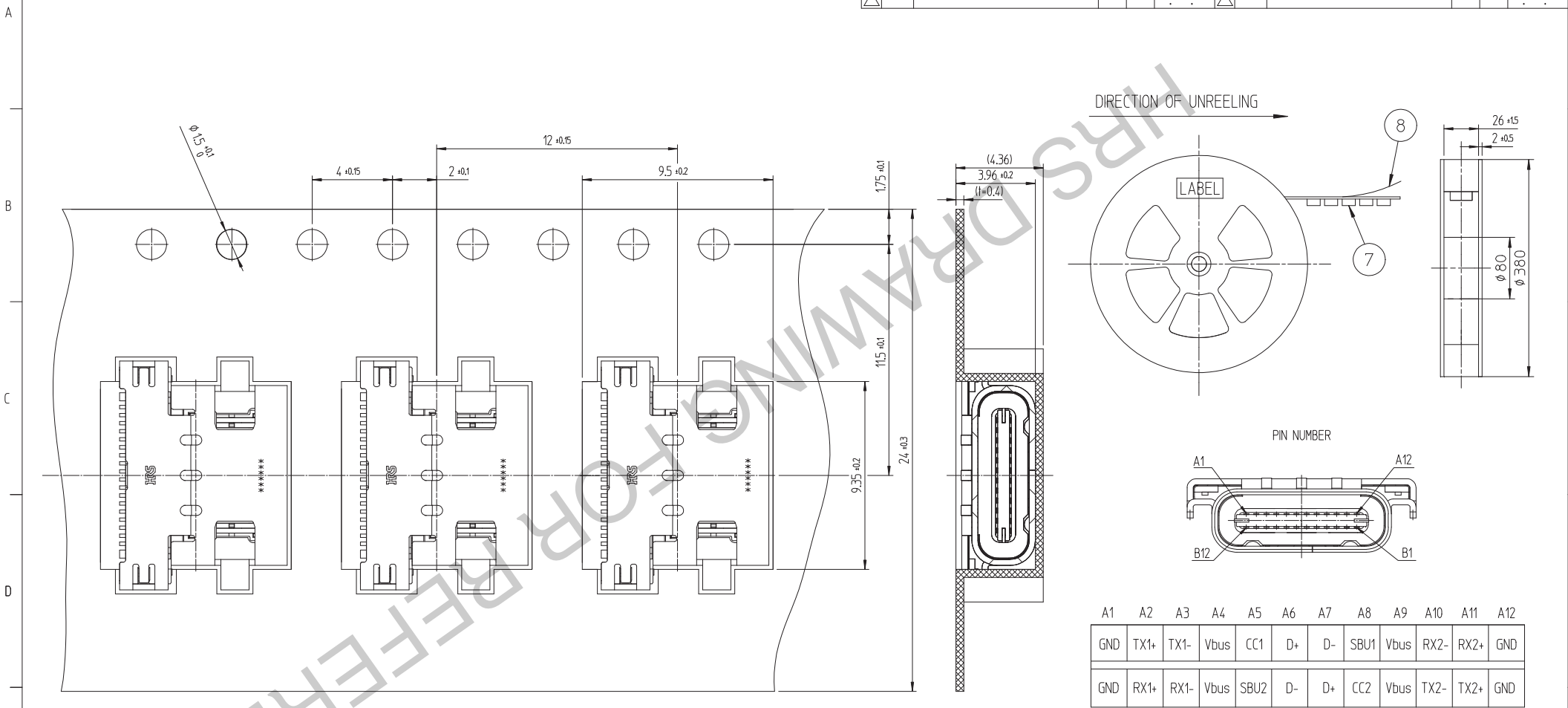
DRAWING FOR REFERENCE
 This is subject to change without notice

| NO. | MATERIAL | FINISH,REMARKS | NO. | MATERIAL | FINISH,REMARKS |
|-----|-----------------|--|-----|-----------------|-------------------------------------|
| 4 | STAINLESS STEEL | Ni1-5 | 8 | PS | COVER TAPE |
| 3 | COPPER ALLOY | Contact : Ni1-5+Pd-Ni0.75Min+Au0.05Min Lead : Ni1-5+Au0.05Min | 7 | PS | EMBOSS CARRIER TAPE |
| 2 | COPPER ALLOY | Contact : Ni1-5+Pd-Ni0.75Min+Au0.05Min Lead : Ni1-5+Au0.05Min | 6 | STAINLESS STEEL | Ni1-5 |
| 1 | LCP | UL94V-0,COLOR BLACK | 5 | STAINLESS STEEL | Other Ni1-5 / LEAD Ni1-5+Au 0.03Min |

| REMARK | DRAWN | DESIGNED | CHECKED | APPROVED | RELEASED |
|--------|---------------------|---------------------|---------------------|---------------------|-------------------------|
| | C.E.LIM 15.09.04 | C.E.LIM 15.09.04 | H.J.LEE 15.09.04 | T.SKANG 15.09.04 | ENG 15.12.11 DEPT |

| SCALE | DRAWING NO. | PART NO. |
|-------|-----------------------|----------------|
| 5:1 | EDC3-611479 | CX70M-24P1 |
| UNITS | HIROSE KOREA CO.,LTD. | CODE NO |
| mm | | CL 6240-0002-1 |

| 5 | | 6 | | 7 | | 8 | | |
|-------|-------------------------|-----|------|------|-------------------------|-----|------|------|
| △數 | 訂正事項 | 檢圖 | 年月日 | △數 | 訂正事項 | 檢圖 | 年月日 | |
| COUNT | DISCRPTION OF REVISIONS | B Y | CHKD | DATE | DISCRPTION OF REVISIONS | B Y | CHKD | DATE |
| △ | | | | △ | | | | |
| △ | | | | △ | | | | |
| △ | | | | △ | | | | |



| A1 | A2 | A3 | A4 | A5 | A6 | A7 | A8 | A9 | A10 | A11 | A12 |
|-----|------|------|------|------|----|----|------|------|------|------|-----|
| GND | TX1+ | TX1- | Vbus | CC1 | D+ | D- | SBU1 | Vbus | RX2- | RX2+ | GND |
| GND | RX1+ | RX1- | Vbus | SBU2 | D- | D+ | CC2 | Vbus | TX2- | TX2+ | GND |
| B12 | B11 | B10 | B9 | B8 | B7 | B6 | B5 | B4 | B3 | B2 | B1 |

| 4 | STAINLESS STEEL | Ni-5 | 8 | PS | COVER TAPE |
|-----|-----------------|--|-----|-----------------|-------------------------------------|
| 3 | COPPER ALLOY | Contact : Ni1-5+Pd-Ni0.75Min+Au0.05Min Lead : Ni1-5+Au0.05Min | 7 | PS | EMBOSS CARRIER TAPE |
| 2 | COPPER ALLOY | Contact : Ni1-5+Pd-Ni0.75Min+Au0.05Min Lead : Ni1-5+Au0.05Min | 6 | STAINLESS STEEL | Ni1-5 |
| 1 | LCP | UL94V-0,COLOR BLACK | 5 | STAINLESS STEEL | Other Ni1-5 / LEAD Ni1-5+Au 0.03Min |
| NO. | MATERIAL | FINISH,REMARKS | NO. | MATERIAL | FINISH,REMARKS |

| REMARK | | DRAWN | DESIGNED | CHECKED | APPROVED | RELEASED |
|-------------------------------|--|---------------------|---------------------|---------------------|----------------------|-------------------------|
| EMBOSS CARRIER TAPE PACKAGING | | C.E.LIM 15.09.04 | C.E.LIM 15.09.04 | H.J.LEE 15.09.04 | T.S.KANG 15.09.04 | ENG 15.12.11 DEPT |

| | | |
|--------------|----------------------------|---------------------------|
| SCALE 5:1 | DRAWING NO. EDC3-611479 | PART NO. CX70M-24P1 |
| UNITS mm | HIROSE KOREA CO.,LTD. | CODE NO CL 6240-0002-1 |

DRAWING FOR REFERENCE
This is subject to change without notice

DRAWING FOR REFERENCE