



Chipsmall Limited consists of a professional team with an average of over 10 year of expertise in the distribution of electronic components. Based in Hongkong, we have already established firm and mutual-benefit business relationships with customers from,Europe,America and south Asia,supplying obsolete and hard-to-find components to meet their specific needs.

With the principle of “Quality Parts,Customers Priority,Honest Operation,and Considerate Service”,our business mainly focus on the distribution of electronic components. Line cards we deal with include Microchip,ALPS,ROHM,Xilinx,Pulse,ON,Everlight and Freescale. Main products comprise IC,Modules,Potentiometer,IC Socket,Relay,Connector.Our parts cover such applications as commercial,industrial, and automotives areas.

We are looking forward to setting up business relationship with you and hope to provide you with the best service and solution. Let us make a better world for our industry!



Contact us

Tel: +86-755-8981 8866 Fax: +86-755-8427 6832

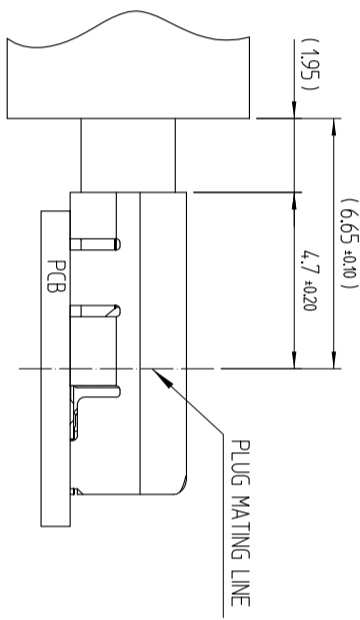
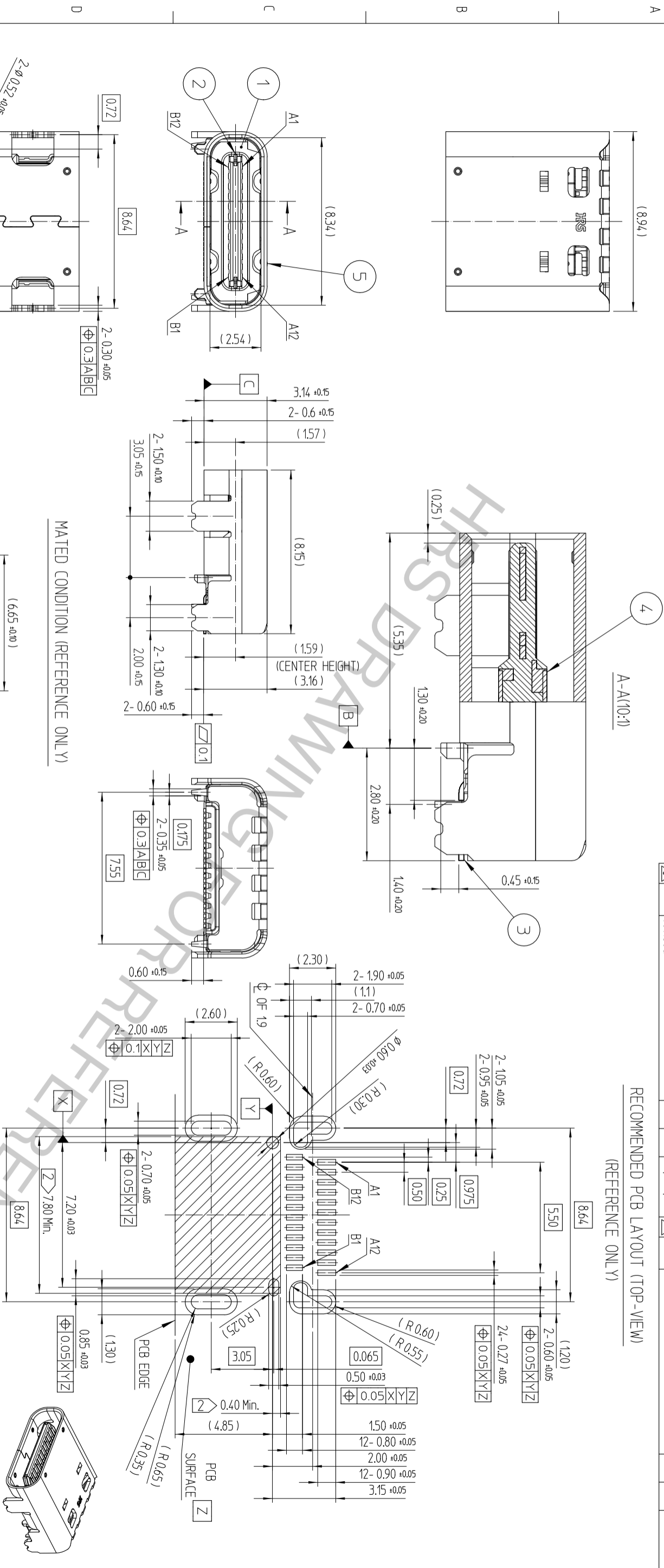
Email & Skype: info@chipsmall.com Web: www.chipsmall.com

Address: A1208, Overseas Decoration Building, #122 Zhenhua RD., Futian, Shenzhen, China



△數	訂正事項	擔當	檢圖	年月日	△數	訂正事項	擔當	檢圖	年月日
COUNT	DESCRIPTION OF REVISIONS	B Y	CHKD	DATE	COUNT	DESCRIPTION OF REVISIONS	B Y	CHKD	DATE
-	revised	BjH	KHJ	17. 03. 30	-	revised	BjH	LHU	17. 05. 24
-	revised	BjH	KHJ	17. 04. 05	3	revised	BjH	LHU	18. 01. 30
-	revised	BjH	LHU	17. 05. 11					

RECOMMENDED PCB LAYOUT (TOP-VIEW)
 (REFERENCE ONLY)



NOTE 1 LEAD CO-PLANARITY SHALL BE 0.1 MAX.
 2 NO PCB ROUTING ALLOWED IN THIS AREA.
 3 PIN ASSIGNMENT
 4 PACKING QUANTITY : 1500 PCS/REEL

NO.	DESCRIPTION	MATERIAL	FINISH	REMARKS
1	INSULATOR	THERMAL PLASTIC	UL94V-0, BLACK COLOR	
2	MD PLATE	STAINLESS STEEL	Δ Ni-1.5 μm	
3	CONTACT	COPPER ALLOY	CONTACT AREA : Au0.05 μm Min OVER Pd-Ni0.75 μm Min OVER Ni2-5 μm SOLDER TAILS : Au0.03 μm Min OVER Ni-5 μm	
4	GND PLATE	STAINLESS STEEL		
5	SHELL	STAINLESS STEEL	Δ Ni-1.5 μm	
6	EMBOSSED TAPE	PS		
7	COVER TAPE	PS		

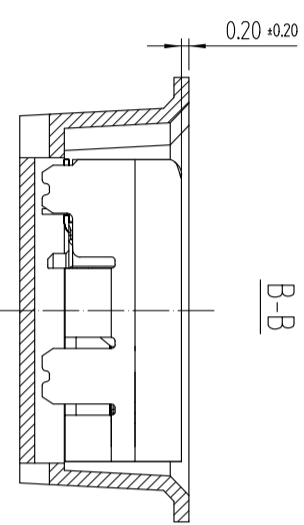
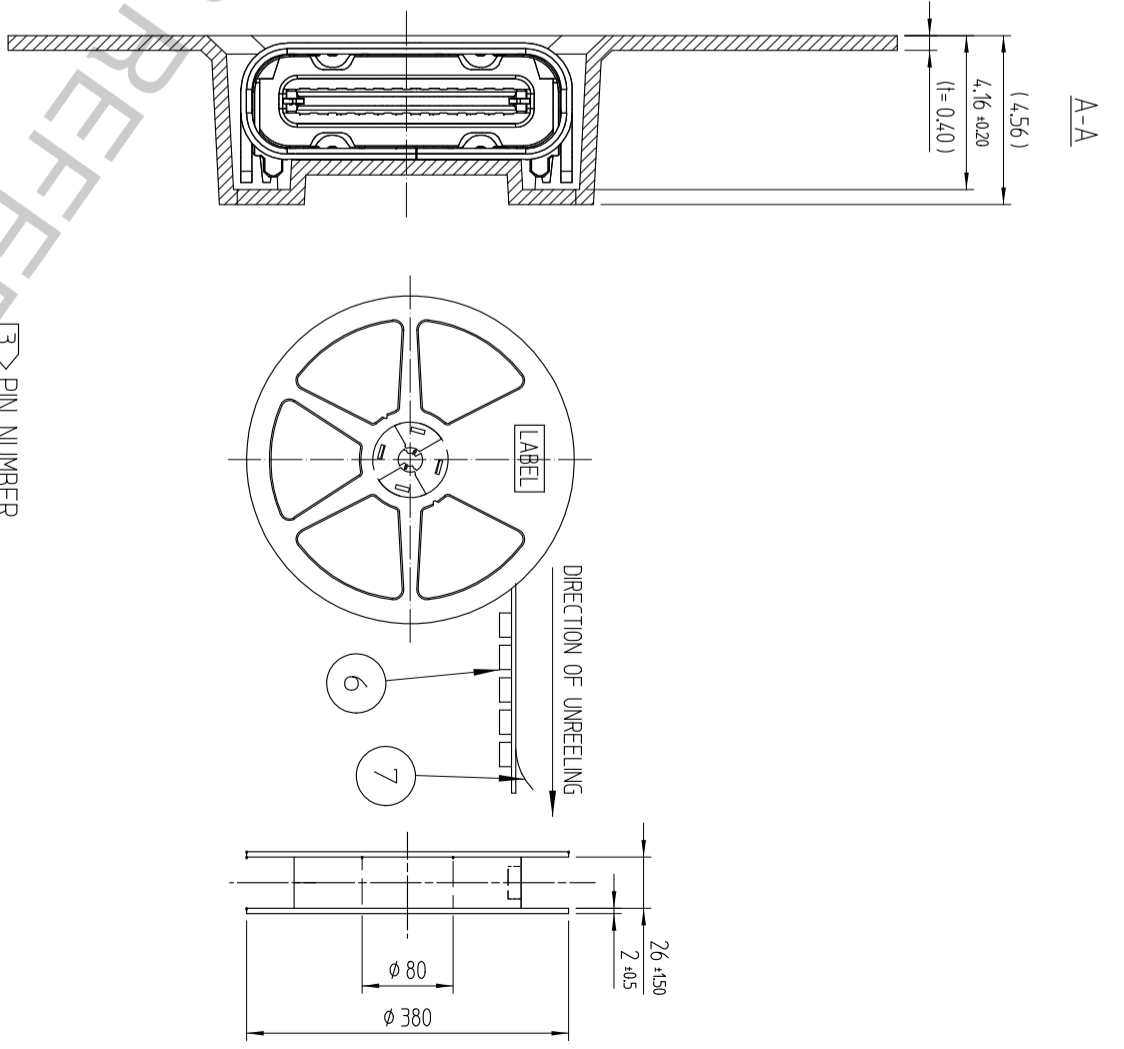
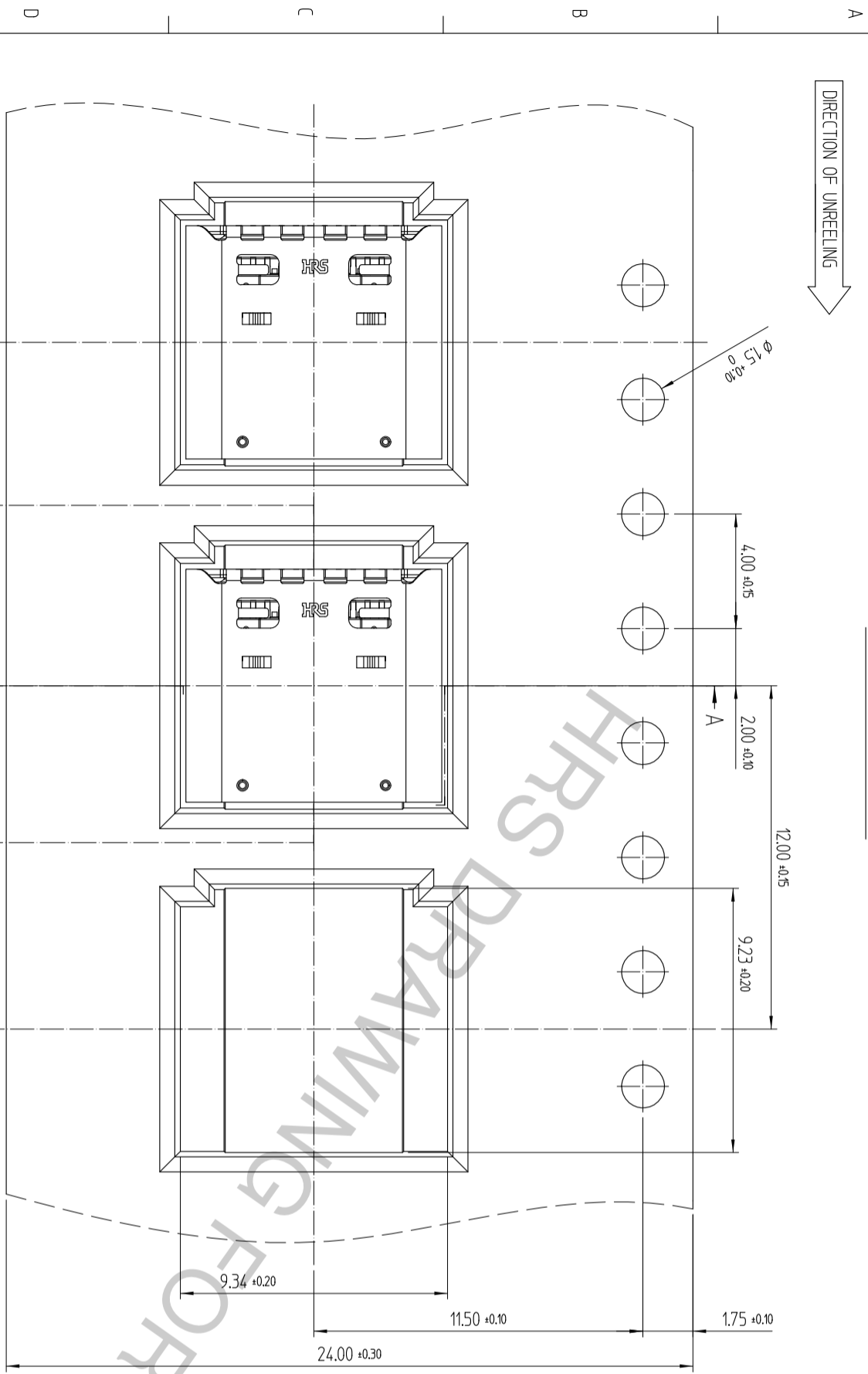
SCALE	DRAWING NO.	PART NO.	CODE NO.
S1 5:1	EDC3-632149	CX90B1-24P	CL 6240-0004-7

UNITS: mm

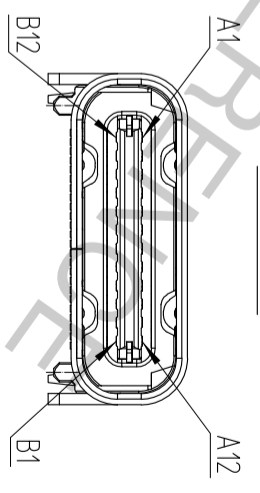
HRS HIROSE KOREA CO., LTD.

DRAWN	DESIGNED	CHECKED	APPROVED	RELEASED
H.J.KIM	KNICHIKAWA	H.LLEE	T.S.KANG	
16.06.07	16.06.07	16.06.07	16.06.07	

DRAWING FOR PACKING



A1	A2	A3	A4	A5	A6	A7	A8	A9	A10	A11	A12
GND	TX1+	TX1-	V _{BUS}	CC1	D+	D-	SBU1	V _{BUS}	RX2-	RX2+	GND
GND	RX1+	RX1-	V _{BUS}	SBU2	D-	D+	CC2	V _{BUS}	TX2-	TX2+	GND



	SCALE	DRAWING NO. EDC3-632149	PART NO. CX90B1-24P
	5:1		
	UNITS	HIROSE KOREA CO.,LTD.	CODE NO. CL 6240-0004-7
MM			