



Chipsmall Limited consists of a professional team with an average of over 10 year of expertise in the distribution of electronic components. Based in Hongkong, we have already established firm and mutual-benefit business relationships with customers from,Europe,America and south Asia,supplying obsolete and hard-to-find components to meet their specific needs.

With the principle of “Quality Parts,Customers Priority,Honest Operation,and Considerate Service”,our business mainly focus on the distribution of electronic components. Line cards we deal with include Microchip,ALPS,ROHM,Xilinx,Pulse,ON,Everlight and Freescale. Main products comprise IC,Modules,Potentiometer,IC Socket,Relay,Connector.Our parts cover such applications as commercial,industrial, and automotives areas.

We are looking forward to setting up business relationship with you and hope to provide you with the best service and solution. Let us make a better world for our industry!



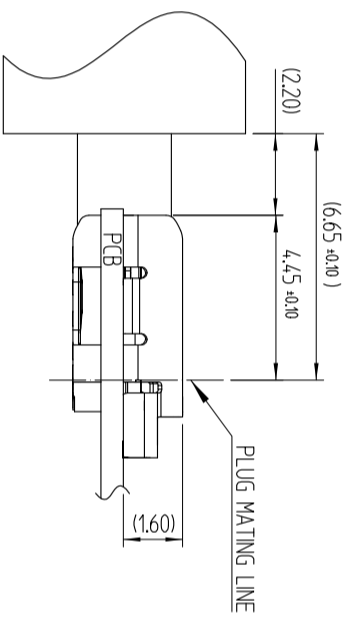
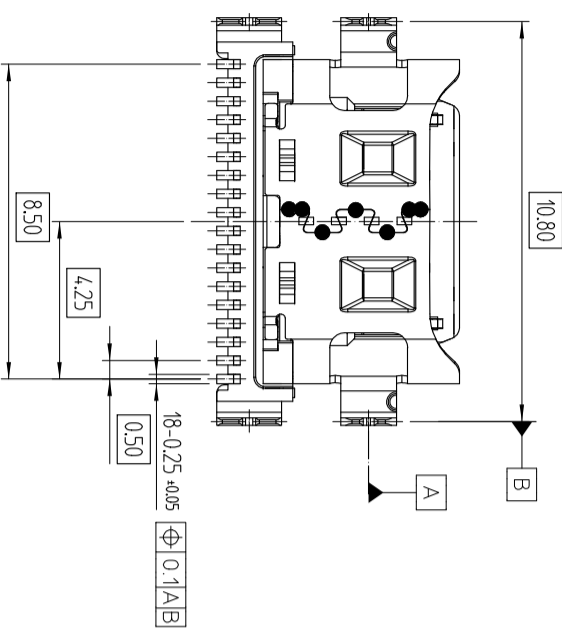
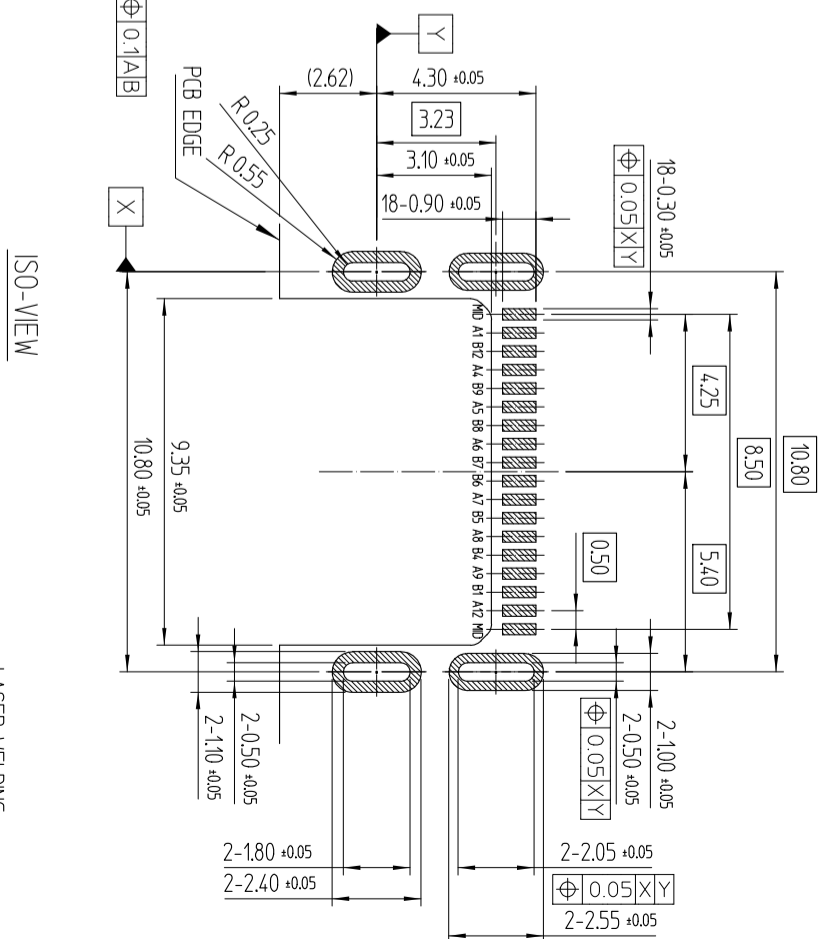
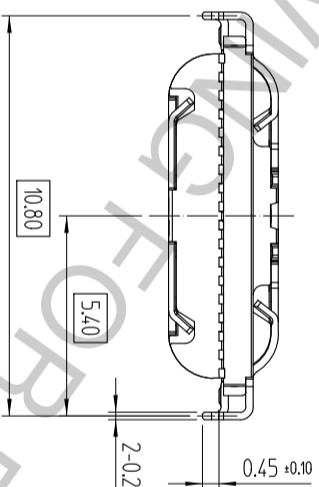
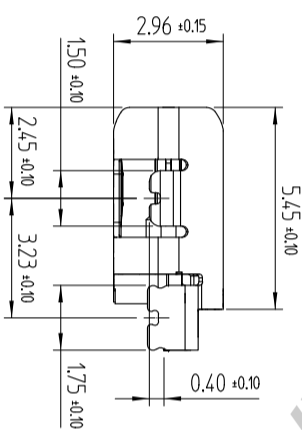
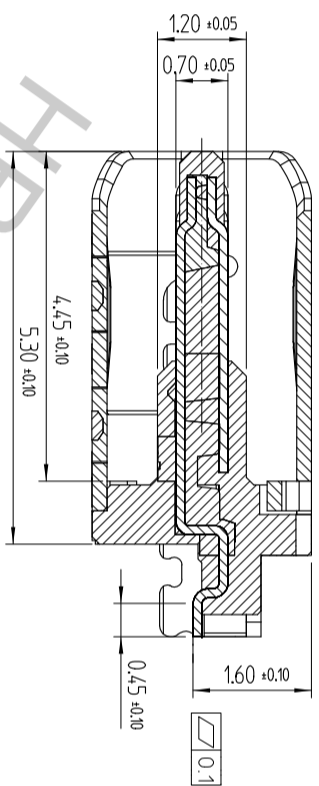
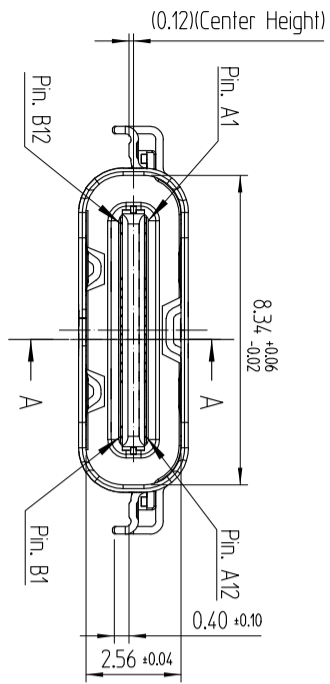
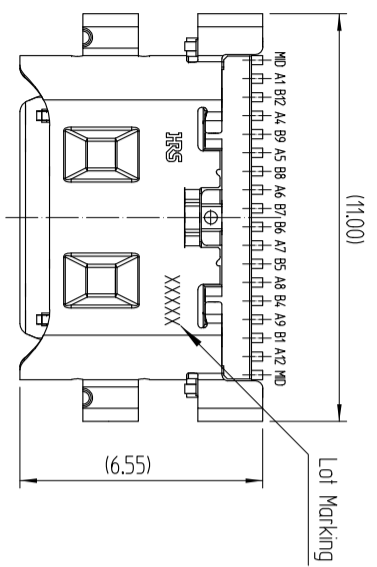
Contact us

Tel: +86-755-8981 8866 Fax: +86-755-8427 6832

Email & Skype: info@chipsmall.com Web: www.chipsmall.com

Address: A1208, Overseas Decoration Building, #122 Zhenhua RD., Futian, Shenzhen, China

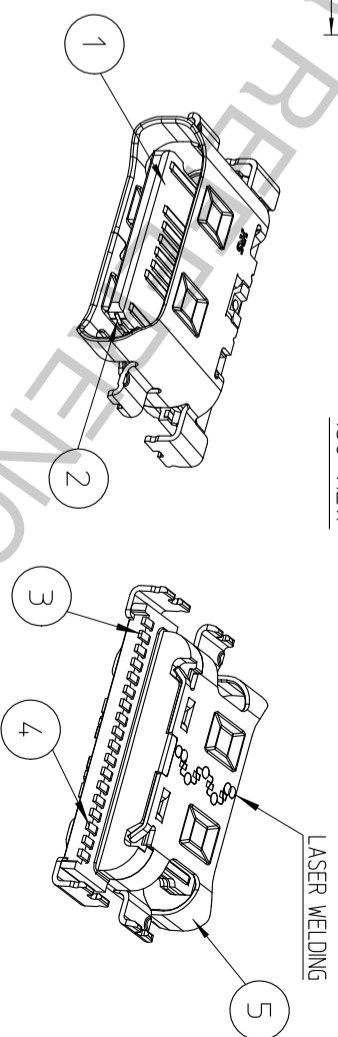




NOTE 1 LEAD CO-PLANARITY SHALL BE 0.1 MAX
 2 PIN ASSIGNMENT
 3 PACKING QUANTITY : 1600 PCS/REEL

△數	訂正事項	檢圖	年月日	△數	訂正事項	檢圖	年月日
COUNT	DISCRPTION OF REVISIONS	B Y CHKD	DATE	COUNT	DISCRPTION OF REVISIONS	B Y CHKD	DATE
-	Revised	LH	18. 04. 09	△			
-	Revised	LH	18. 06. 12	△			

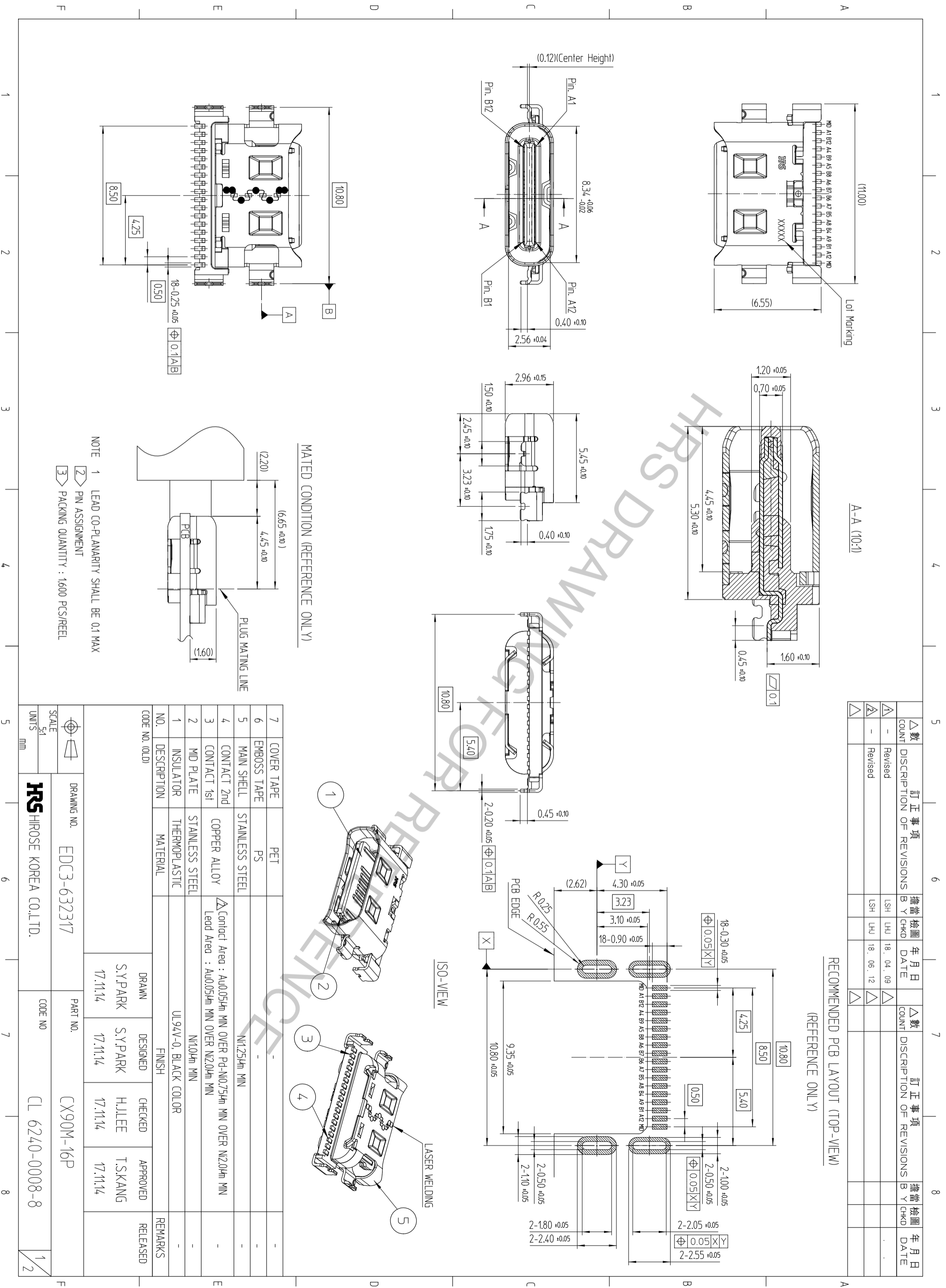
RECOMMENDED PCB LAYOUT (TOP-VIEW)
 (REFERENCE ONLY)

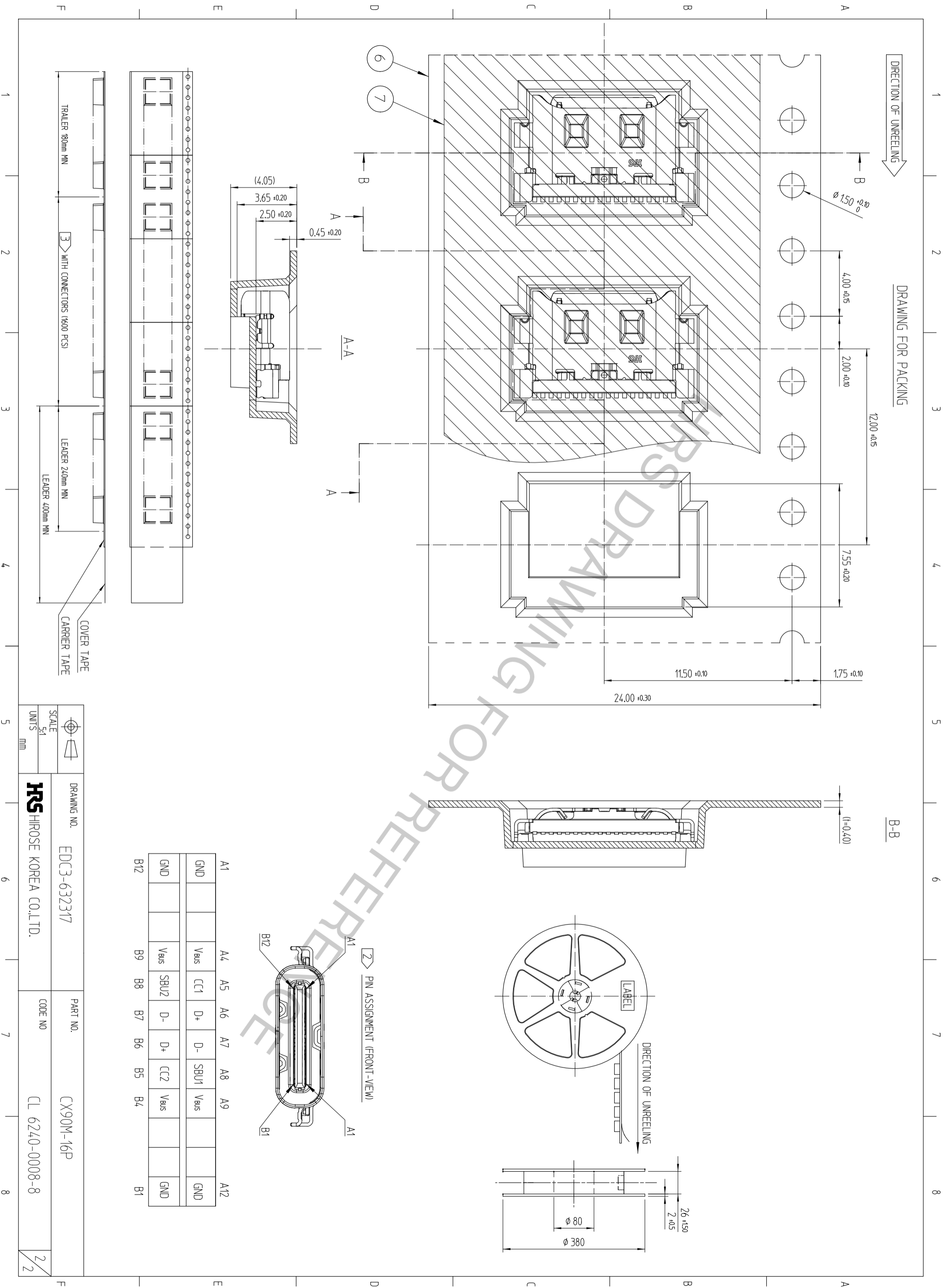


NO.	DESCRIPTION	MATERIAL	FINISH	REMARKS
7	COVER TAPE	PET		
6	EMBOSS TAPE	PS		
5	MAIN SHELL	STAINLESS STEEL	Ni1.25μm MIN	
4	CONTACT 2nd	COPPER ALLOY	△Contact Area : Au0.05μm MIN OVER Pd-Ni0.75μm MIN OVER Ni2.0μm MIN Lead Area : Au0.05μm MIN OVER Ni2.0μm MIN	
3	CONTACT 1st	STAINLESS STEEL	Ni1.0μm MIN	
2	MID PLATE	STAINLESS STEEL		
1	INSULATOR	THERMOPLASTIC	UL94V-0, BLACK COLOR	

SCALE	DRAWING NO.	PART NO.	CODE NO
5:1	EDC3-632317	CX90M-16P	CL 6240-0008-8

HIROSE KOREA CO.,LTD.





DIRECTION OF UNREELING

DRAWING FOR PACKING

B-B

2 PIN ASSIGNMENT (FRONT-VIEW)

A1	A4	A5	A6	A7	A8	A9	A12
GND	V _{BUS}	CC1	D+	D-	SBU1	V _{BUS}	GND
GND	V _{BUS}	SBU2	D-	D+	CC2	V _{BUS}	GND
B12	B9	B8	B7	B6	B5	B4	B1

SCALE UNITS 5:1 MM	DRAWING NO.	PART NO.
	EDC3-632317	CX90M-16P
COVER TAPE CARRIER TAPE	HIROSE	CODE NO.
	HIROSE KOREA CO.,LTD.	CL 6240-0008-8

2/2