



Chipsmall Limited consists of a professional team with an average of over 10 year of expertise in the distribution of electronic components. Based in Hongkong, we have already established firm and mutual-benefit business relationships with customers from,Europe,America and south Asia,supplying obsolete and hard-to-find components to meet their specific needs.

With the principle of “Quality Parts,Customers Priority,Honest Operation,and Considerate Service”,our business mainly focus on the distribution of electronic components. Line cards we deal with include Microchip,ALPS,ROHM,Xilinx,Pulse,ON,Everlight and Freescale. Main products comprise IC,Modules,Potentiometer,IC Socket,Relay,Connector.Our parts cover such applications as commercial,industrial, and automotives areas.

We are looking forward to setting up business relationship with you and hope to provide you with the best service and solution. Let us make a better world for our industry!



## Contact us

Tel: +86-755-8981 8866 Fax: +86-755-8427 6832

Email & Skype: info@chipsmall.com Web: www.chipsmall.com

Address: A1208, Overseas Decoration Building, #122 Zhenhua RD., Futian, Shenzhen, China



# CXA-0326

## Dimming/Connector Type

### ■ Features

- 2-output
  - Applicable panel size\*: 5 to 8 inches
  - With brightness control function (Pulse Wide Modulation mode).
  - With a sensing function for running out of lamp (alarm output).
  - In the high-voltage generator (a terminal and a pattern), an anti-dust measure by silicone application is taken.
- (Notice) Applicable panel size becomes a standard.

### ■ Applications



## CXA-0326 Specifications (Please refer to each specification before use)

### Electrical Characteristics

Item	Unit	Symbol	Specification			Condition						Remark
			min	typ	max	Vin(V)	Vrmt(V)	Vbr(V)	Rbr(kΩ)	Ta(°C)	RL(kΩ)	
Output Current	mArms	Iout (Maximum dimmer)	4.9	5.5	6.1	9 to 19	5	0	-	-10 to +70	68	Voltage dimmer (*1)
			4.9	5.5	6.1	9 to 19	5	-	0	-10 to +70	68	Volume dimmer (*1)
		Iout (Minimum dimmer)	1.9	2.5	3.1	9 to 19	5	2.5	-	-10 to +70	68	Voltage dimmer (*1)
			1.9	2.5	3.1	9 to 19	5	-	50	-10 to +70	68	Volume dimmer (*1)
Input Current	A	Iin1	-		0.75	9 to 19	5	0		-10 to +70	68	Remote ON
	mA	Iin2	-		2	9 to 19	0			-10 to +70	68	Remote OFF
Frequency	kHz	Freq1	49	55	61	9 to 19	5	0		-10 to +70	68	
	Hz	Freq2(Duty frequency)	300	350	400	9 to 19	5	2.5	50	-10 to +70	68	
Open Circuit Voltage	Vrms	Vopen	1000	1300	-	9 to 19	5	0		-10 to +70	∞	Open load
Alarm Signal	V	Vst	4.5	5.0	5.5	9 to 19	5	0		-10 to +70	∞	In case of lamp anomaly (*2)
			-	0	0.5	9 to 19	5	0		-10 to +70	68	On a normal operation (*2)

(\*1) Please refer to the connection diagram for details of a dimming method.

(\*2) Please refer to the connection diagram for details of alarm output.

### Other Specifications

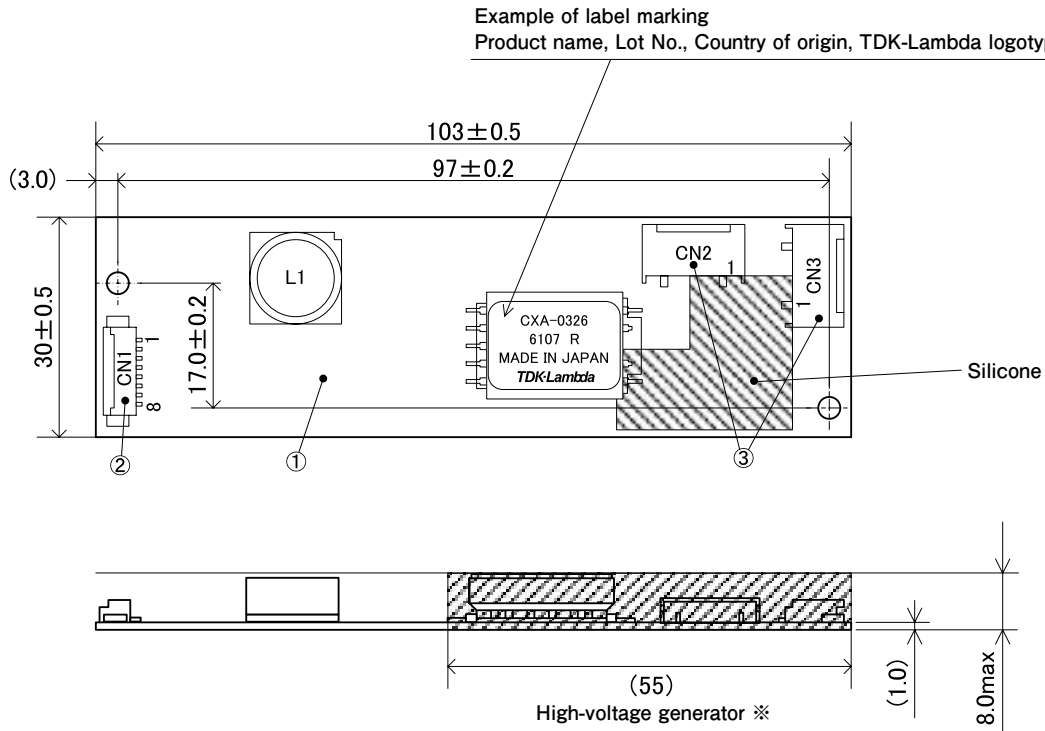
Dimming Function		Yes
Operating Temperature	°C	-10 to +70
Storage Temperature	°C	-30 to +85
Operating Humidity Ratio	RH%	95Max
Safety Standard		-
Weight	g	20
Dimensions(WxDxH)	mm	103x30x8 (*3)
Fused Input		Yes
Remote ON / OFF		Yes
Alarm Signal Function		Yes
Shutdown Function		No
Silicone Coating on High Voltage Area		Yes

(\*3) These dimensions are indicated the maximum only H. Others are typical values.

### ■ Conformity to RoHs Directive

This means that, in conformity with EU Directive 2002/95/EC, lead, cadmium, mercury, hexavalent chromium, and specific bromine-based flame retardants, PBB and PBDE, have not been used, except for exempted applications.

# Outline Drawing



※From high-voltage generator, please secure space distance more than 2mm in top and bottom right and left.

unit:mm

### Connector

Connector number	Part number	Model/Material	Quantity	Remarks	Recommended applicable connector
①	Printed circuit board PCB	Composite (CEM-3)	1	UL94V-0 t=1.0	—
②	Input connector CN1	53261-0871	1	Molex Inc.	51021-0800
③	Output connector CN2,CN3	SM02 (8.0) B-BHS-1-TB (LF) (SN)	2	JST Mfg. Co., Ltd.	BHR-03VS-1

### Terminal Numbers And Functions

#### Input side CN1

Terminal number	Symbol	Rated voltage	Remarks
CN1-1	Vin	9.0 to 19.0V	Power input
CN1-2			
CN1-3	GND	0V	Ground
CN1-4			
CN1-5	Vrmt	0V/2.5V to Vin	Remote terminal 0 to 0.4V : OFF 2.5 to Vin : ON
CN1-6	Vbr1/Rbr1	0 to 2.5V/0 to 50kΩ	Dimmer terminal1
CN1-7	Vbr2/Rbr2	GND/0 to 50kΩ	Dimmer terminal2
CN1-8	Vst (Output)	0V/5V	Alarm output Lump open : 5V

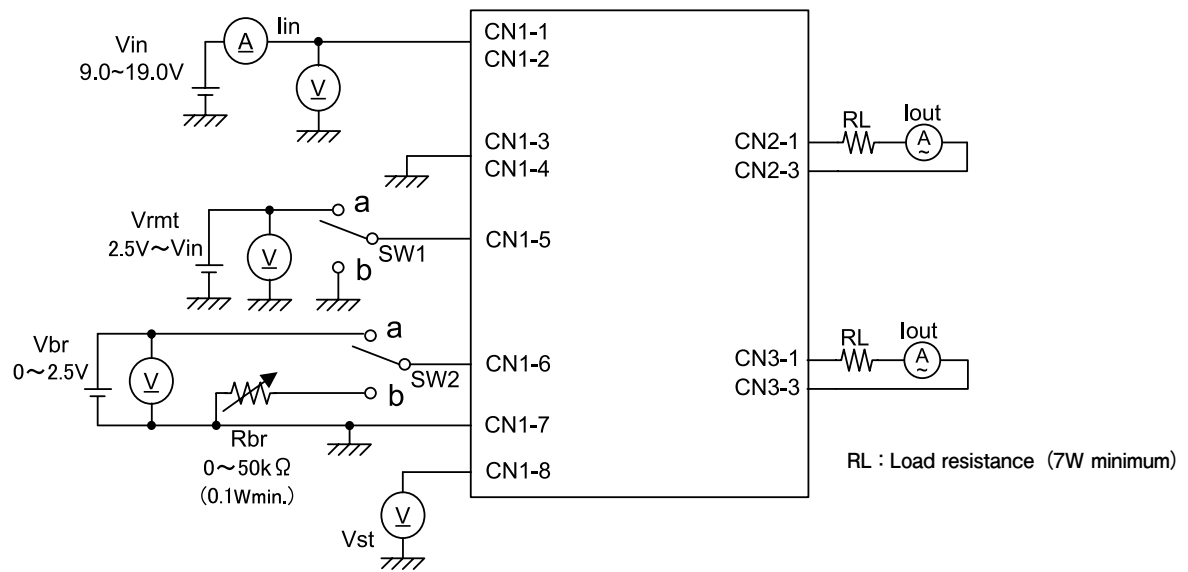
#### Output side CN2

Terminal number	Symbol	Rated voltage	Remarks
CN2-1	V <sub>HIGH1</sub>	400Vrms	Output 1
CN2-2	—	N.C.	—
CN2-3	V <sub>LOW1</sub>	(2V)	Output 1 return

#### Output side CN3

Terminal number	Symbol	Rated voltage	Remarks
CN3-1	V <sub>HIGH2</sub>	400Vrms	Output 2
CN3-2	—	N.C.	—
CN3-3	V <sub>LOW2</sub>	(2V)	Output 2 return

# Connections



Operate as follows by switching SW1.

SW1	Unit operation
a	Operation
b	Does not operate
OPEN	Does not operate

Operate as follows by switching SW2.

SW2	Unit operation
a	Voltage dimmer Vbr=0 to 2.5V
b	Volume dimmer VR=0 to 50kΩ

※ Vbr=0V:Maximum brightness  
Rbr=0Ω:Maximum brightness

### Protection circuit operation

Load condition	※ Alarm output (CN1-8)
Normal condition	0.5V max.
When 1 load (lamp) is run-out	5±0.5V
When 2 loads (lamps) are run-out	5±0.5V

※ When more than one of RL1-RL2 was opened, output alarm signal of 5V.