



Chipsmall Limited consists of a professional team with an average of over 10 year of expertise in the distribution of electronic components. Based in Hongkong, we have already established firm and mutual-benefit business relationships with customers from,Europe,America and south Asia,supplying obsolete and hard-to-find components to meet their specific needs.

With the principle of "Quality Parts,Customers Priority,Honest Operation,and Considerate Service",our business mainly focus on the distribution of electronic components. Line cards we deal with include Microchip,ALPS,ROHM,Xilinx,Pulse,ON,Everlight and Freescale. Main products comprise IC,Modules,Potentiometer,IC Socket,Relay,Connector.Our parts cover such applications as commercial,industrial, and automotives areas.

We are looking forward to setting up business relationship with you and hope to provide you with the best service and solution. Let us make a better world for our industry!



Contact us

Tel: +86-755-8981 8866 Fax: +86-755-8427 6832

Email & Skype: info@chipsmall.com Web: www.chipsmall.com

Address: A1208, Overseas Decoration Building, #122 Zhenhua RD., Futian, Shenzhen, China



CXA-0406

Dimming/Connector Type

■ Features

- 2-output
 - UL60950 approved
 - Applicable panel size*: 5 to 6 inches
 - With brightness control function (Pulse Wide Modulation mode).
 - With shut down function.
 - With a sensing function for running out of lamp (alarm output).
 - In the high-voltage generator(a terminal and a pattern), an anti-dust measure by silicone application is taken.
- (Notice) Applicable panel size becomes a standard.

■ Applications



CXA-0406 Specifications (Please refer to each specification before use)

Electrical Characteristics

Item	Unit	Symbol	Specification			Condition					Remark
			min	typ	max	Vin(V)	Vrmt(V)	Vbr(V)	Ta(°C)	RL(kΩ)	
Output Current	mA	Iout (Maximum dimmer)	5.8	6.4	7.0	5±0.05	5	0	23±5	55	(*1)
			5.7	6.4	7.1	5±0.25	5	0	-10 to +60	55	(*1)
		Iout (Minimum dimmer)	2.7	3.2	3.7	5±0.05	5	3	23±5	55	(*1)
Input Current	A	Iin1	-	1.28	1.75	5±0.25	5	0	-10 to +60	55	Remote ON
	mA	Iin2	-	0	1	5±0.25	0	0	-10 to +60	55	Remote OFF
Frequency	kHz	Freq1	53	59	65	5±0.25	5	0	-10 to +60	55	
	Hz	Freq2(Duty frequency)	230	255	280	5±0.25	5	3	-10 to +60	55	
Open Circuit Voltage	Vrms	Vopen	1050	1150	-	4.75min.	5	0	-10 to +60	∞	Open load
Alarm Signal	V	Vst	4.5	5.0	5.5	5±0.25	5	0	-10 to +60	∞	In case of lamp anomaly (*2)
			-	0	0.5	5±0.25	5	0	-10 to +60	55	On a normal operation (*2)

(*1) Please refer to the connection diagram for details of a dimming method.

(*2) Please refer to the connection diagram for details of alarm output.

Other Specifications

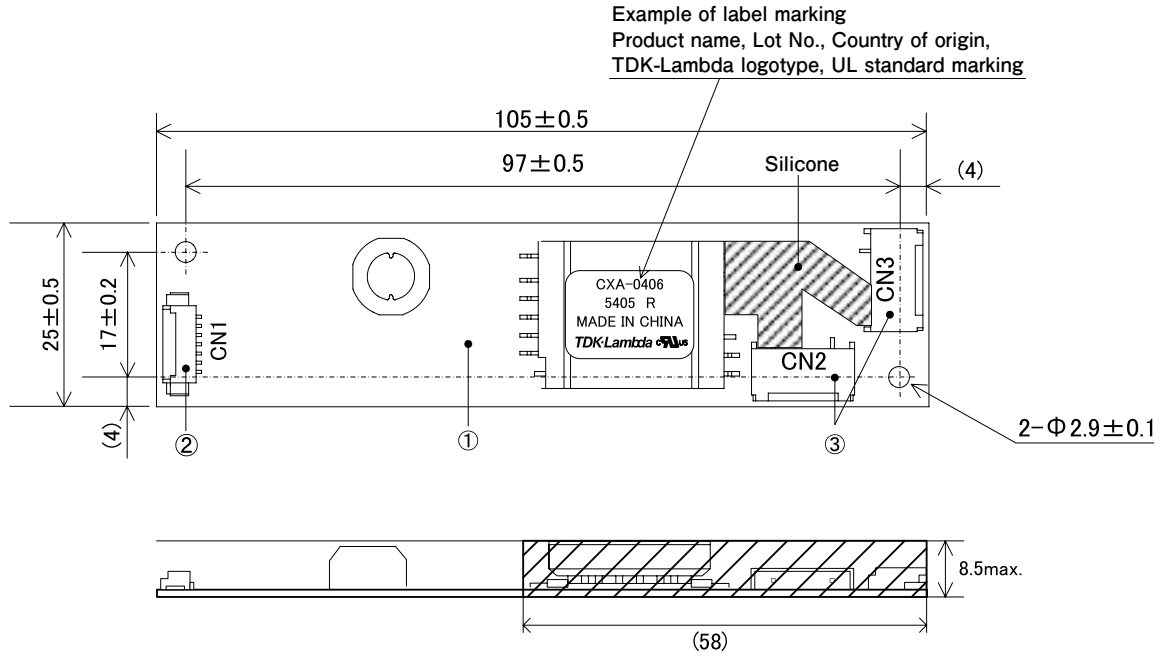
Dimming Function		Yes
Operating Temperature	°C	-10 to +70
Storage Temperature	°C	-30 to +85
Operating Humidity Ratio	RH%	95Max
Safety Standard		UL60950
Weight	g	20
Dimensions(WxDxH)	mm	105x25x8.5 (*3)
Fused Input		Yes
Remote ON / OFF		Yes
Alarm Signal Function		Yes
Shutdown Function		Yes
Silicone Coating on High Voltage Area		Yes

(*3) These dimensions are indicated the maximum only H. Others are typical values.

■ Conformity to RoHS Directive

This means that, in conformity with EU Directive 2002/95/EC, lead, cadmium, mercury, hexavalent chromium, and specific bromine-based flame retardants, PBB and PBDE, have not been used, except for exempted applications.

Outline Drawing



Example of label marking
 Product name, Lot No., Country of origin,
 TDK-Lambda logotype, UL standard marking

High-voltage generator ※
 (The entire surface within a range of 58mm away from the end of the basein)

※From high-voltage generator, please secure space distance more than 2mm in top and bottom right and left.

unit:mm

Connector

Connector number	Part number	Model/Material	Quantity	Remarks	Recommended applicable connector
①	Printed circuit board PCB	Composite (CEM-3)	1	UL94V-0 t=1.0	—
②	Input connector CN1	53261-0771	1	Molex Inc.	51021-0700
③	Output connector CN2,CN3	SM02 (8.0)B-BHS-1-TB (LF) (SN)	2	JST Mfg. Co., Ltd.	BHR-03VS-1

Terminal Numbers And Functions

Input side CN1

Terminal number	Symbol	Rated voltage	Remarks
CN1-1	Vin	$5 \pm 0.25V$	Power input
CN1-2			
CN1-3	GND	0V	Ground
CN1-4			
CN1-5	Vrmt	25 to Vin/0 to 0.5V	Remote terminal 2.5 to Vin : ON
CN1-6	Vst (Output)	0V/5V	Alarm output Lump open : 5V
CN1-7	Vbr	0 to 3V 0 to 10k Ω	Dimmer terminal 0V or 0 Ω : max 3V or 10k Ω : min

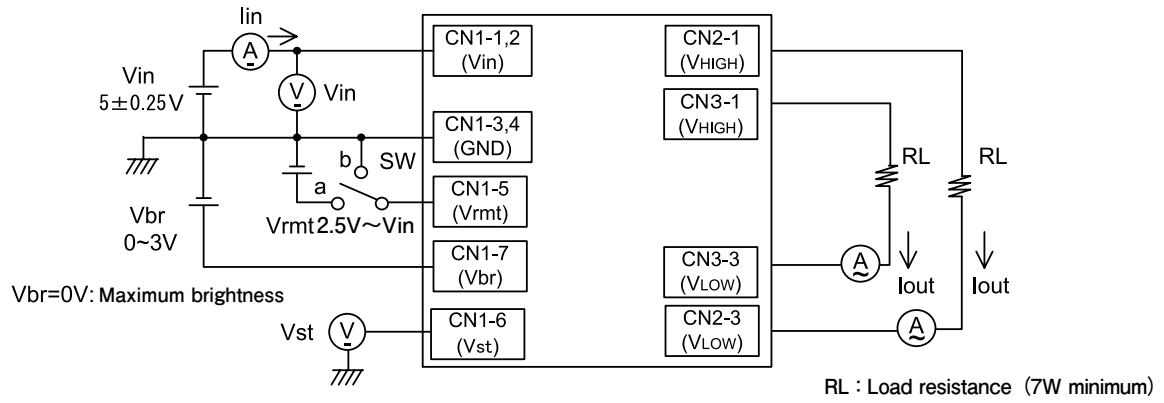
Output side CN2

Terminal number	Symbol	Rated voltage	Remarks
CN2-1	V _{HIGH1}	340Vrms	Output 1
CN2-2	N.C.	—	N.C.
CN2-3	V _{Low1}	(2V)	Output 1 return

Output side CN3

Terminal number	Symbol	Rated voltage	Remarks
CN2-1	V _{HIGH2}	340Vrms	Output 2
CN2-2	N.C.	—	N.C.
CN2-3	V _{Low2}	(2V)	Output 2 return

Connections



Operate as follows by switching a SW.

SW	Unit operation
a	Operation
b	Does not operate