



Chipsmall Limited consists of a professional team with an average of over 10 year of expertise in the distribution of electronic components. Based in Hongkong, we have already established firm and mutual-benefit business relationships with customers from,Europe,America and south Asia,supplying obsolete and hard-to-find components to meet their specific needs.

With the principle of “Quality Parts,Customers Priority,Honest Operation,and Considerate Service”,our business mainly focus on the distribution of electronic components. Line cards we deal with include Microchip,ALPS,ROHM,Xilinx,Pulse,ON,Everlight and Freescale. Main products comprise IC,Modules,Potentiometer,IC Socket,Relay,Connector.Our parts cover such applications as commercial,industrial, and automotives areas.

We are looking forward to setting up business relationship with you and hope to provide you with the best service and solution. Let us make a better world for our industry!



## Contact us

Tel: +86-755-8981 8866 Fax: +86-755-8427 6832

Email & Skype: info@chipsmall.com Web: www.chipsmall.com

Address: A1208, Overseas Decoration Building, #122 Zhenhua RD., Futian, Shenzhen, China



# CXA-P1612-VJL

## Dimming/Connector Type

### ■ Features

- 2-output
- Applicable panel size\*: 10 to 15 inches
- With brightness control function (Pulse Wide Modulation mode).
- In the high-voltage generator(a terminal and a pattern), an anti-dust measure by silicone application is taken.  
(Notice) Applicable panel size becomes a standard.

### ■ Applications



## CXA-P1612-VJL Specifications (Please refer to each specification before use)

### Electrical Characteristics

Item	Unit	Symbol	Specification			Condition					Remark
			min	typ	max	V <sub>in</sub> (V)	V <sub>rmt</sub> (V)	V <sub>br</sub> (V)	T <sub>a</sub> (°C)	R <sub>L</sub> (kΩ)	
Output Current	mA <sub>rms</sub>	I <sub>out</sub> (Maximum dimmer)	7.2	8.0	8.8	12±1.2	5	0	0 to +60	70	(*1)
		I <sub>out</sub> (Maximum dimmer)	3.5	4.0	4.5	12±0.05	5	2	0 to +60	70	(*1)
Input Current	A	I <sub>in</sub>	-	1.0	1.4	12±0.05	5	0	0 to +60	70	
Frequency	kHz	Freq1	50	55	60	12±0.05	5	0	0 to +60	70	
	Hz	Freq2(Duty frequency)	225	270	335	12±0.05	5	2	0 to +60	70	
Open Circuit Voltage	V <sub>rms</sub>	V <sub>open</sub>	1500	1600	-	10.8min.	5	0	0 to +60	∞	Open load

(\*1) Please refer to the connection diagram for details of a dimming method.

### Other Specifications

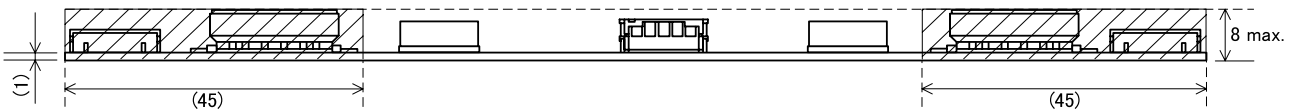
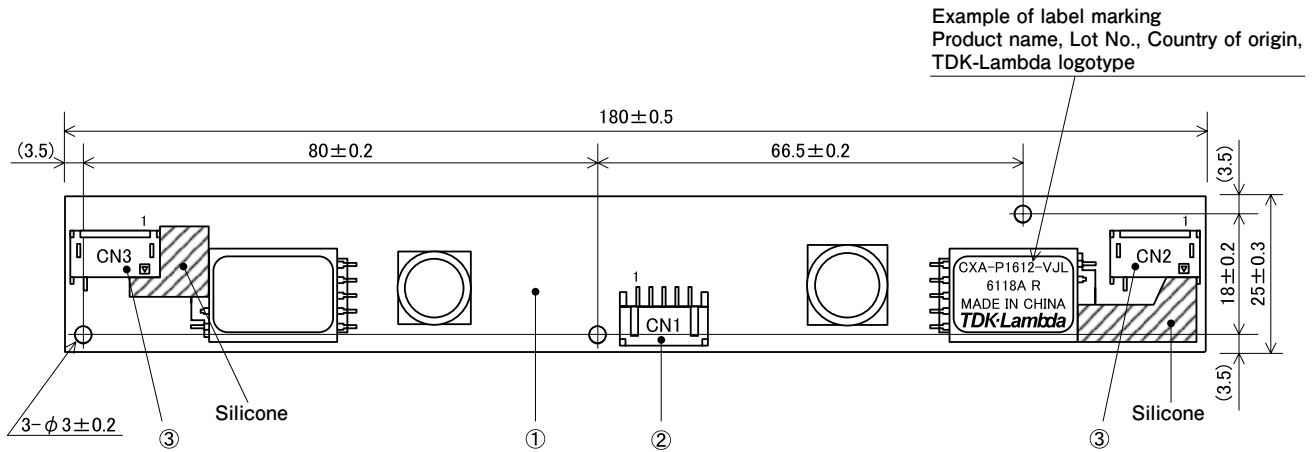
Dimming Function		Yes
Operating Temperature	°C	0 to +60
Storage Temperature	°C	-30 to +85
Operating Humidity Ratio	RH%	95Max
Safety Standard		-
Weight	g	29.6
Dimensions(WxDxH)	mm	180x25x8 (*2)
Fused Input		Yes
Remote ON / OFF		Yes
Alarm Signal Function		No
Shutdown Function		No
Silicone Coating on High Voltage Area		Yes

(\*2) These dimensions are indicated the maximum only H. Others are typical values.

### ■ Conformity to RoHs Directive

This means that, in conformity with EU Directive 2002/95/EC, lead, cadmium, mercury, hexavalent chromium, and specific bromine-based flame retardants, PBB and PBDE, have not been used, except for exempted applications.

# Outline Drawing



High-voltage generator ※

High-voltage generator ※

(The entire surface within a range of 45mm away from the end of the basein) (The entire surface within a range of 45mm away from the end of the basein)

※From high-voltage generator, please secure space distance more than 3mm in top and bottom right and left.

unit:mm

## Connector

Connector number	Part number	Model/Material	Quantity	Remarks	Recommended applicable connector
①	Printed circuit board PCB	Composite (CEM-3)	1	UL94V-0 t=1.0	—
②	Input connector CN1	S5B-PH-SM4-TB (LF)(SN)	1	JST Mfg. Co., Ltd.	PHR-5
③	Output connector CN2, CN3	SM02 (8.0) B-BHS-1-TB (LF)(SN)	2	JST Mfg. Co., Ltd.	BHR-03VS-1

## Terminal Numbers And Functions

### Input side CN1

Terminal number	Symbol	Rated voltage	Remarks
CN1-1	V <sub>in</sub>	12±1.2V	Power input
CN1-2	GND	0V	Ground
CN1-3	V <sub>br</sub>	0 to 2V	Dimmer terminal
CN1-4	N.C.	—	—
CN1-5	V <sub>rmt</sub>	0/2.5V to V <sub>in</sub>	Remote terminal 0 to 0.4V : OFF 2.5 to V <sub>in</sub> V : ON

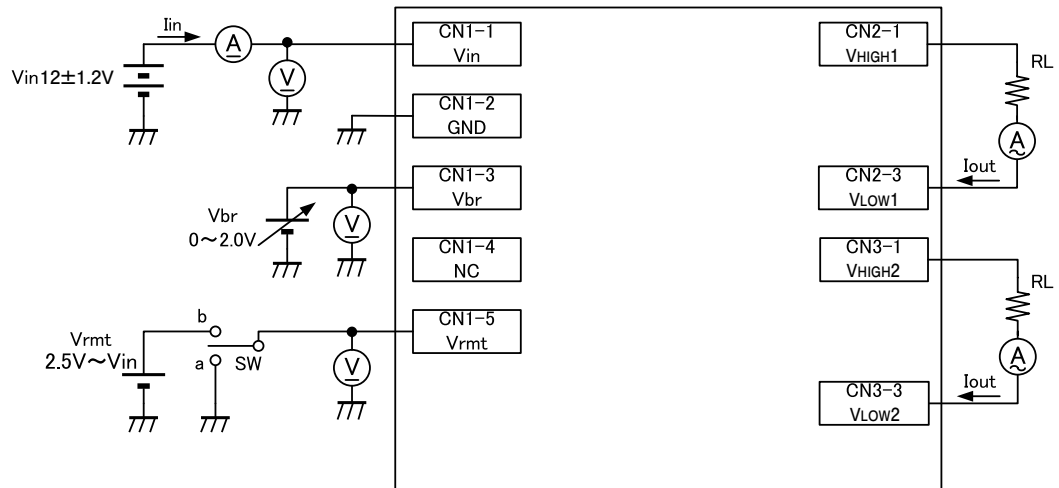
### Output side CN2

Terminal number	Symbol	Rated voltage	Remarks
CN2-1	V <sub>HIGH1</sub>	560Vrms	Output 1
CN2-2	N.C.	—	N.C.
CN2-3	V <sub>LOW1</sub>	(2V)	Output 1 return

### Output side CN3

Terminal number	Symbol	Rated voltage	Remarks
CN3-1	V <sub>HIGH2</sub>	560Vrms	Output 2
CN3-2	N.C.	—	N.C.
CN3-3	V <sub>LOW2</sub>	(2V)	Output 2 return

# Connections



RL : Load resistance (7W minimum)

Operate as follows by switching a SW.

SW		Unit operation
a	0-0.8V	Operation stopped
b	2.5-14.4V	Operation