



Chipsmall Limited consists of a professional team with an average of over 10 year of expertise in the distribution of electronic components. Based in Hongkong, we have already established firm and mutual-benefit business relationships with customers from,Europe,America and south Asia,supplying obsolete and hard-to-find components to meet their specific needs.

With the principle of "Quality Parts,Customers Priority,Honest Operation,and Considerate Service",our business mainly focus on the distribution of electronic components. Line cards we deal with include Microchip,ALPS,ROHM,Xilinx,Pulse,ON,Everlight and Freescale. Main products comprise IC,Modules,Potentiometer,IC Socket,Relay,Connector.Our parts cover such applications as commercial,industrial, and automotives areas.

We are looking forward to setting up business relationship with you and hope to provide you with the best service and solution. Let us make a better world for our industry!



Contact us

Tel: +86-755-8981 8866 Fax: +86-755-8427 6832

Email & Skype: info@chipsmall.com Web: www.chipsmall.com

Address: A1208, Overseas Decoration Building, #122 Zhenhua RD., Futian, Shenzhen, China



PRELIMINARY

Cree® XLamp® CXA1850 LED



PRODUCT DESCRIPTION

The XLamp CXA1850 expands Cree’s family of High Density (HD) LED arrays, featuring a 12-mm optical source and enabling lighting manufacturers to create a new generation of products that delivers the same intensity and light quality as 70-W ceramic metal halide (CMH) at up to 50 percent lower power. The new HD class of CXA arrays provide unrivaled lumen density that can reduce system cost for the next generation of LED spotlights.

The CXA LED Design Guide provides basic information on the requirements to use the CXA1850 LED successfully in luminaire designs.¹

FEATURES

- Available in ANSI white bins as well as 4-step and 2-step EasyWhite® bins at 2700 K, 3000 K, 3500 K, 4000 K and 5000 K CCT
- Available in ANSI white bins as well as 4-step EasyWhite bins at 5700 K and 6500 K CCT
- Available in 70-, 80-, 90- and 93-minimum CRI options
- Forward voltage: 35 V
- 85 °C binning and characterization
- Maximum drive current: 2100 mA
- 115° viewing angle, uniform chromaticity profile
- Top-side solder connections
- Thermocouple attach point
- NEMA SSL-3 2011 standard flux bins

TABLE OF CONTENTS

Characteristics 2

Operating Limits..... 2

Flux Characteristics, EasyWhite

Order Codes and Bins 3

Flux Characteristics, ANSI White

Order Codes and Bins 5

Relative Spectral Power Distribution . 7

Electrical Characteristics..... 7

Relative Luminous Flux..... 8

Typical Spatial Distribution..... 9

Performance Groups - Brightness..... 9

Performance Groups - Chromaticity.10

Cree EasyWhite Bins Plotted on the CIE 1931 Color Space12

Cree ANSI White Bins Plotted on the CIE 1931 Color Space.....13

Bin and Order Code Formats14

Mechanical Dimensions.....14

Thermal Design.....15

Notes.....16

Packaging.....17

¹ Cree XLamp CXA LED Design Guide, Design Guide DG02, www.cree.com/xlamp_app_notes/cxa_design_guide

PRELIMINARY

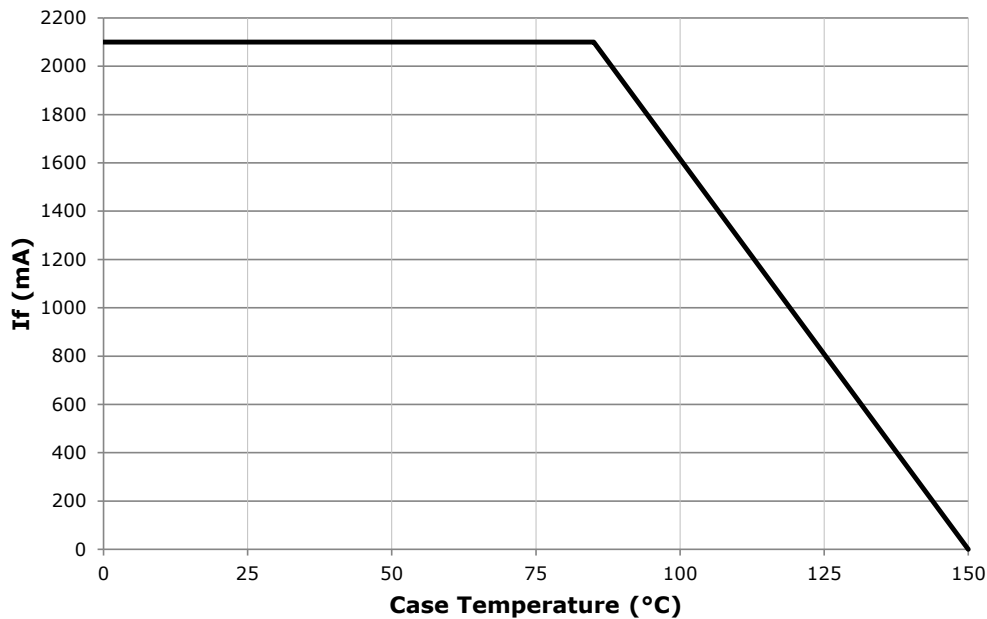
CHARACTERISTICS

Characteristics	Unit	Minimum	Typical	Maximum
Viewing angle (FWHM)	degrees		115	
ESD withstand voltage (HBM per Mil-Std-883D)	V			8000
DC forward current	mA			2100*
Reverse current	mA			0.1
Forward voltage (@ 1400 mA, T _j = 85 °C)	V		35	
Forward voltage (@ 1400 mA, T _j = 25 °C)	V			42

* Refer to the Operating Limits section.

OPERATING LIMITS

The maximum current rating of the CXA1850 is dependent on the case temperature (T_c) when the LED has reached thermal equilibrium under steady-state operation. Please refer to the Mechanical Dimensions section on page 16 for the location of the T_c measurement point.



PRELIMINARY

FLUX CHARACTERISTICS, EASYWHITE ORDER CODES AND BINS ($I_f = 1400 \text{ mA}$, $T_j = 85 \text{ }^\circ\text{C}$)

The following tables provide order codes for XLamp CXA1850 LEDs. For a complete description of the order code nomenclature, please reference Bin and Order Code Formats (page 16).

CCT Range	CRI		Base Order Codes Min. Luminous Flux @ 1400 mA			2-Step Order Code		4-Step Order Code	
	Min	Typ	Group	Flux (lm) @ 85 °C	Flux (lm) @ 25 °C*	Chromaticity Region		Chromaticity Region	
6500 K	70	75	V4	4545	5231			65F	CXA1850-0000-000N00V465F
			W2	4860	5593				CXA1850-0000-000N00W265F
			W4	5225	6014				CXA1850-0000-000N00W465F
	80	---	V2	4230	4868			65F	CXA1850-0000-000N0HV265F
			V4	4545	5231				CXA1850-0000-000N0HV465F
			W2	4860	5593				CXA1850-0000-000N0HW265F
5700 K	70	75	V4	4545	5231			57F	CXA1850-0000-000N00V457F
			W2	4860	5593				CXA1850-0000-000N00W257F
			W4	5225	6014				CXA1850-0000-000N00W457F
	80	---	V2	4230	4868			57F	CXA1850-0000-000N0HV257F
			V4	4545	5231				CXA1850-0000-000N0HV457F
			W2	4860	5593				CXA1850-0000-000N0HW257F
5000 K	70	75	V4	4545	5231	50H		50F	CXA1850-0000-000N00V450H
			W2	4860	5593				CXA1850-0000-000N00W250H
			W4	5225	6014				CXA1850-0000-000N00W450H
	80	---	V2	4230	4868	50H		50F	CXA1850-0000-000N0HV250H
			V4	4545	5231				CXA1850-0000-000N0HV450H
			W2	4860	5593				CXA1850-0000-000N0HW250H
	90	95	T4	3440	3959	50H		50F	CXA1850-0000-000N0UT450H
			U2	3680	4235				CXA1850-0000-000N0UU250H
			U4	3955	4551				CXA1850-0000-000N0UU450H

Notes

- Cree maintains a tolerance of $\pm 7\%$ on flux and power measurements, ± 0.005 on chromaticity (CCx, CCy) measurements and a tolerance of ± 2 on CRI measurements.
- * Flux values @ 25 °C are calculated and for reference only.

PRELIMINARY

FLUX CHARACTERISTICS, EASYWHITE ORDER CODES AND BINS ($I_f = 1400 \text{ mA}$, $T_j = 85 \text{ °C}$) - CONTINUED

CCT Range	CRI		Base Order Codes Min. Luminous Flux @ 1400 mA			2-Step Order Code		4-Step Order Code	
	Min	Typ	Group	Flux (lm) @ 85 °C	Flux (lm) @ 25 °C*	Chromaticity Region		Chromaticity Region	
4000 K	70	75	V2	4230	4868	40H	CXA1850-0000-000N00V240H	40F	CXA1850-0000-000N00V240F
			V4	4545	5231		CXA1850-0000-000N00V440H		CXA1850-0000-000N00V440F
			W2	4860	5593		CXA1850-0000-000N00W240H		CXA1850-0000-000N00W240F
	80	---	U4	3955	4551	40H	CXA1850-0000-000N0HU440H	40F	CXA1850-0000-000N0HU440F
			V2	4230	4868		CXA1850-0000-000N0HV240H		CXA1850-0000-000N0HV240F
			V4	4545	5231		CXA1850-0000-000N0HV440H		CXA1850-0000-000N0HV440F
	90	95	T2	3200	3683	40H	CXA1850-0000-000N0UT240H	40F	CXA1850-0000-000N0UT240F
			T4	3440	3959		CXA1850-0000-000N0UT440H		CXA1850-0000-000N0UT440F
			U2	3680	4235		CXA1850-0000-000N0UU240H		CXA1850-0000-000N0UU240F
3500 K	80	---	U4	3955	4551	35H	CXA1850-0000-000N00U435H	35F	CXA1850-0000-000N00U435F
			V2	4230	4868		CXA1850-0000-000N00V235H		CXA1850-0000-000N00V235F
			V4	4545	5231		CXA1850-0000-000N00V435H		CXA1850-0000-000N00V435F
	93	95	T2	3200	3683	35H	CXA1850-0000-000N0YT235H	35F	CXA1850-0000-000N0YT235F
			T4	3440	3959		CXA1850-0000-000N0YT435H		CXA1850-0000-000N0YT435F
			U2	3680	4235		CXA1850-0000-000N0YU235H		CXA1850-0000-000N0YU235F
3000 K	80	---	U4	3955	4551	30H	CXA1850-0000-000N00U430H	30F	CXA1850-0000-000N00U430F
			V2	4230	4868		CXA1850-0000-000N00V230H		CXA1850-0000-000N00V230F
			V4	4545	5231		CXA1850-0000-000N00V430H		CXA1850-0000-000N00V430F
	90	---	T2	3200	3683	30H	CXA1850-0000-000N0UT230H	30F	CXA1850-0000-000N0UT230F
			T4	3440	3959		CXA1850-0000-000N0UT430H		CXA1850-0000-000N0UT430F
			U2	3680	4235		CXA1850-0000-000N0UU230H		CXA1850-0000-000N0UU230F
	93	95	S4	2990	3441	30H	CXA1850-0000-000N0YS430H	30F	CXA1850-0000-000N0YS430F
			T2	3200	3683		CXA1850-0000-000N0YT230H		CXA1850-0000-000N0YT230F
			T4	3440	3959		CXA1850-0000-000N0YT430H		CXA1850-0000-000N0YT430F

Notes

- Cree maintains a tolerance of $\pm 7\%$ on flux and power measurements, ± 0.005 on chromaticity (CCx, CCy) measurements and a tolerance of ± 2 on CRI measurements.
- * Flux values @ 25 °C are calculated and for reference only.

PRELIMINARY

FLUX CHARACTERISTICS, EASYWHITE ORDER CODES AND BINS ($I_f = 1400 \text{ mA}$, $T_j = 85 \text{ }^\circ\text{C}$) - CONTINUED

CCT Range	CRI		Base Order Codes Min. Luminous Flux @ 1400 mA			2-Step Order Code		4-Step Order Code	
	Min	Typ	Group	Flux (lm) @ 85 °C	Flux (lm) @ 25 °C*	Chromaticity Region		Chromaticity Region	
2700 K	80	---	U2	3680	4235	27H	CXA1850-0000-000N00U227H	27F	CXA1850-0000-000N00U227F
			U4	3955	4551		CXA1850-0000-000N00U427H		CXA1850-0000-000N00U427F
			V2	4230	4868		CXA1850-0000-000N00V227H		CXA1850-0000-000N00V227F
	90	---	S4	2990	3441	27H	CXA1850-0000-000N0US427H	27F	CXA1850-0000-000N0US427F
			T2	3200	3683		CXA1850-0000-000N0UT227H		CXA1850-0000-000N0UT227F
			T4	3440	3959		CXA1850-0000-000N0UT427H		CXA1850-0000-000N0UT427F
	93	95	S2	2780	3199	27H	CXA1850-0000-000N0YS227H	27F	CXA1850-0000-000N0YS227F
			S4	2990	3441		CXA1850-0000-000N0YS427H		CXA1850-0000-000N0YS427F
			T2	3200	3683		CXA1850-0000-000N0YT227H		CXA1850-0000-000N0YT227F

Notes

- Cree maintains a tolerance of $\pm 7\%$ on flux and power measurements, ± 0.005 on chromaticity (CCx, CCy) measurements and a tolerance of ± 2 on CRI measurements.
- * Flux values @ 25 °C are calculated and for reference only.

PRELIMINARY

FLUX CHARACTERISTICS, ANSI WHITE ORDER CODES AND BINS ($I_F = 1400 \text{ mA}$, $T_j = 85 \text{ }^\circ\text{C}$)

The following tables provide order codes for XLamp CXA1850 LEDs. For a complete description of the order code nomenclature, please reference Bin and Order Code Formats (page 16).

CCT Range	CRI		Base Order Codes Min Luminous Flux @ 1400 mA			Chromaticity Regions	Order Code
	Min	Typ	Group	Flux (lm) @ 85 °C	Flux (lm) @ 25 °C*		
6500 K	70	75	V4	4545	5231	1A0, 1B0, 1C0, 1D0	CXA1850-0000-000N00V40E1
			W2	4860	5593		CXA1850-0000-000N00W20E1
			W4	5225	6014		CXA1850-0000-000N00W40E1
	80	---	V2	4230	4868	1A0, 1B0, 1C0, 1D0	CXA1850-0000-000N0HV20E1
			V4	4545	5231		CXA1850-0000-000N0HV40E1
			W2	4860	5593		CXA1850-0000-000N0HW20E1
5700 K	70	75	V4	4545	5231	2A0, 2B0, 2C0, 2D0	CXA1850-0000-000N00V40E2
			W2	4860	5593		CXA1850-0000-000N00W20E2
			W4	5225	6014		CXA1850-0000-000N00W40E2
	80	---	V2	4230	4868	2A0, 2B0, 2C0, 2D0	CXA1850-0000-000N0HV20E2
			V4	4545	5231		CXA1850-0000-000N0HV40E2
			W2	4860	5593		CXA1850-0000-000N0HW20E2
5000 K	70	75	V4	4545	5231	3A0, 3B0, 3C0, 3D0	CXA1850-0000-000N00V40E3
			W2	4860	5593		CXA1850-0000-000N00W20E3
			W4	5225	6014		CXA1850-0000-000N00W40E3
	80	---	V2	4230	4868	3A0, 3B0, 3C0, 3D0	CXA1850-0000-000N0HV20E3
			V4	4545	5231		CXA1850-0000-000N0HV40E3
			W2	4860	5593		CXA1850-0000-000N0HW20E3
	90	95	T4	3440	3959	3A0, 3B0, 3C0, 3D0	CXA1850-0000-000N0UT40E3
			U2	3680	4235		CXA1850-0000-000N0UU20E3
			U4	3955	4551		CXA1850-0000-000N0UU40E3

Notes

- Cree maintains a tolerance of $\pm 7\%$ on flux and power measurements, ± 0.005 on chromaticity (CCx, CCy) measurements and a tolerance of ± 2 on CRI measurements.
- * Flux values @ 25 °C are calculated and for reference only.

PRELIMINARY

FLUX CHARACTERISTICS, ANSI WHITE ORDER CODES AND BINS ($I_F = 1400 \text{ mA}$, $T_J = 85 \text{ }^\circ\text{C}$) - CONTINUED

CCT Range	CRI		Base Order Codes Min Luminous Flux @ 1400 mA			Chromaticity Regions	Order Code
	Min	Typ	Group	Flux (lm) @ 85 °C	Flux (lm) @ 25 °C*		
4000 K	70	75	V2	4230	4868	5A0, 5B0, 5C0, 5D0	CXA1850-0000-000N00V20E5
			V4	4545	5231		CXA1850-0000-000N00V40E5
			W2	4860	5593		CXA1850-0000-000N00W20E5
	80	---	U4	3955	4551	5A0, 5B0, 5C0, 5D0	CXA1850-0000-000N0HU40E5
			V2	4230	4868		CXA1850-0000-000N0HV20E5
			V4	4545	5231		CXA1850-0000-000N0HV40E5
	90	95	T2	3200	3683	5A0, 5B0, 5C0, 5D0	CXA1850-0000-000N0UT20E5
			T4	3440	3959		CXA1850-0000-000N0UT40E5
			U2	3680	4235		CXA1850-0000-000N0UU20E5
3500 K	80	---	U4	3955	4551	6A0, 6B0, 6C0, 6D0	CXA1850-0000-000N00U40E6
			V2	4230	4868		CXA1850-0000-000N00V20E6
			V4	4545	5231		CXA1850-0000-000N00V40E6
	93	95	T2	3200	3683	6A0, 6B0, 6C0, 6D0	CXA1850-0000-000N0YT20E6
			T4	3440	3959		CXA1850-0000-000N0YT40E6
			U2	3680	4235		CXA1850-0000-000N0YU20E6
3000 K	80	---	U4	3955	4551	7A0, 7B0, 7C0, 7D0	CXA1850-0000-000N00U40E7
			V2	4230	4868		CXA1850-0000-000N00V20E7
			V4	4545	5231		CXA1850-0000-000N00V40E7
	90	---	T2	3200	3683	7A0, 7B0, 7C0, 7D0	CXA1850-0000-000N0UT20E7
			T4	3440	3959		CXA1850-0000-000N0UT40E7
			U2	3680	4235		CXA1850-0000-000N0UU20E7
	93	95	S4	2990	3441	7A0, 7B0, 7C0, 7D0	CXA1850-0000-000N0YS40E7
			T2	3200	3683		CXA1850-0000-000N0YT20E7
			T4	3440	3959		CXA1850-0000-000N0YT40E7

Notes

- Cree maintains a tolerance of $\pm 7\%$ on flux and power measurements, ± 0.005 on chromaticity (CCx, CCy) measurements and a tolerance of ± 2 on CRI measurements.
- * Flux values @ 25 °C are calculated and for reference only.

PRELIMINARY

CCT Range	CRI		Base Order Codes Min Luminous Flux @ 1400 mA			Chromaticity Regions	Order Code
	Min	Typ	Group	Flux (lm) @ 85 °C	Flux (lm) @ 25 °C*		
2700 K	80	---	U2	3680	4235	8A0, 8B0, 8C0, 8D0	CXA1850-0000-000N00U20E8
			U4	3955	4551		CXA1850-0000-000N00U40E8
			V2	4230	4868		CXA1850-0000-000N00V20E8
	90	---	S4	2990	3441	8A0, 8B0, 8C0, 8D0	CXA1850-0000-000N00US40E8
			T2	3200	3683		CXA1850-0000-000N00T20E8
			T4	3440	3959		CXA1850-0000-000N00T40E8
	93	95	S2	2780	3199	8A0, 8B0, 8C0, 8D0	CXA1850-0000-000N00YS20E8
			S4	2990	3441		CXA1850-0000-000N00YS40E8
			T2	3200	3683		CXA1850-0000-000N00YT20E8

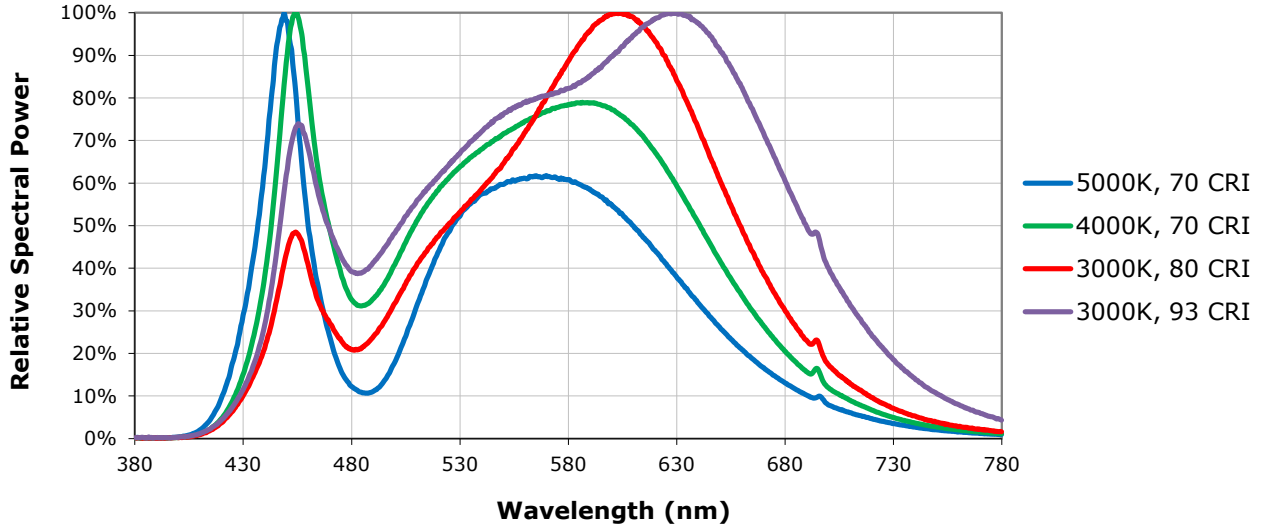
Notes

- Cree maintains a tolerance of $\pm 7\%$ on flux and power measurements, ± 0.005 on chromaticity (CCx, CCy) measurements and a tolerance of ± 2 on CRI measurements.
- * Flux values @ 25 °C are calculated and for reference only.

PRELIMINARY

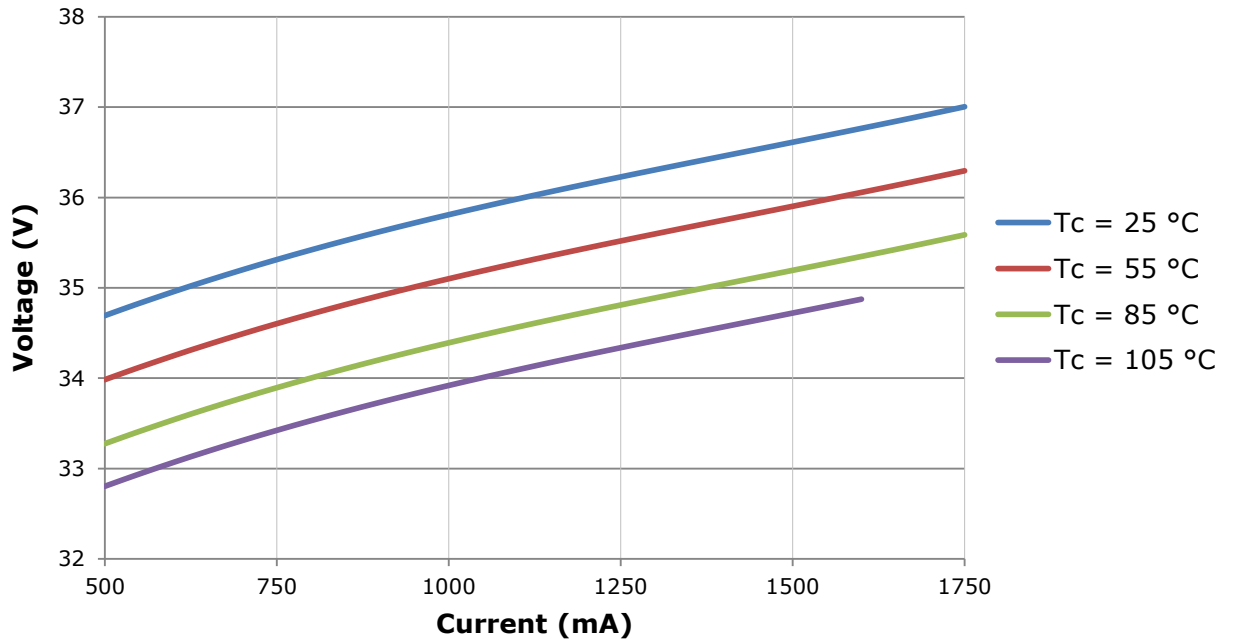
RELATIVE SPECTRAL POWER DISTRIBUTION ($I_f = 1400 \text{ mA}$, $T_j = 85 \text{ }^\circ\text{C}$)

The following graph is the result of a series of pulsed measurements at 1400 mA and $T_j = 85 \text{ }^\circ\text{C}$.



ELECTRICAL CHARACTERISTICS

The following graph is the result of a series of steady-state measurements.



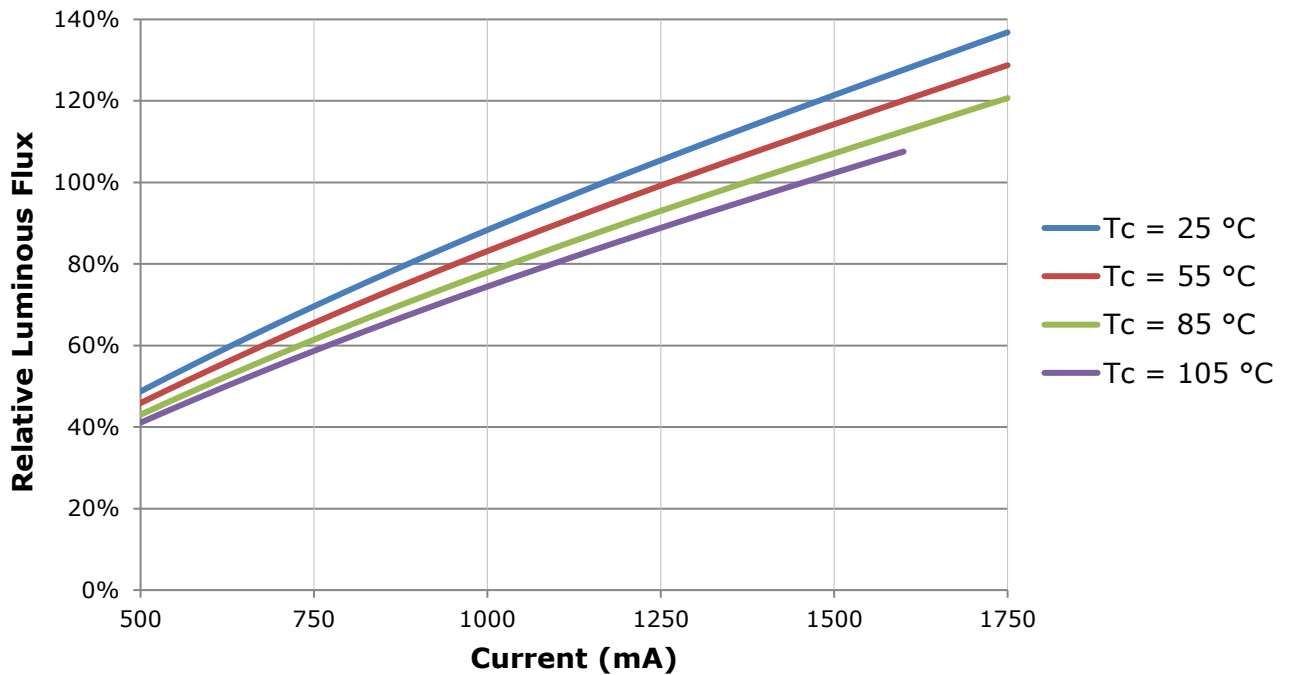
PRELIMINARY

RELATIVE LUMINOUS FLUX

The relative luminous flux values provided below are the ratio of:

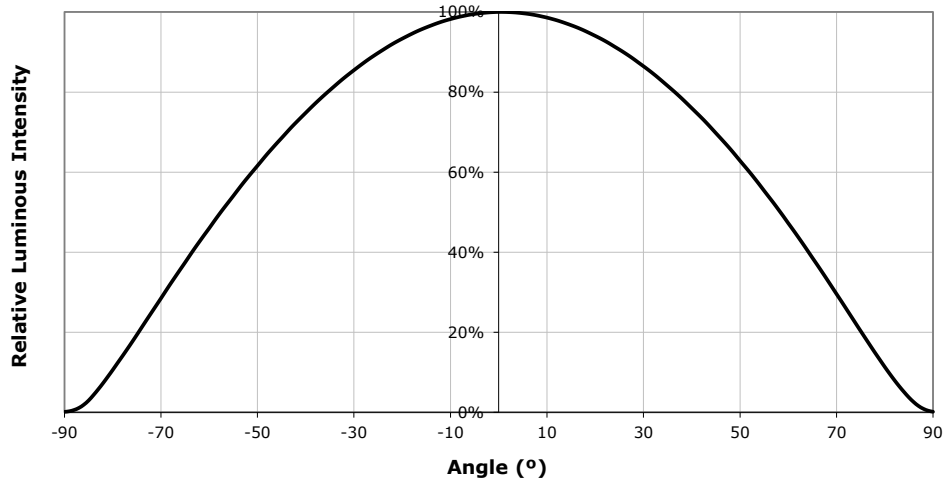
- Measurements of CXA1850 at steady-state operation at the given conditions, divided by
- Flux measured during binning, which is a pulsed measurement at 1400 mA at $T_j = 85\text{ }^\circ\text{C}$.

For example, at steady-state operation of $T_c = 25\text{ }^\circ\text{C}$, $I_f = 1500\text{ mA}$, the relative luminous flux ratio is 120% in the chart below. A CXA1850 LED that measures 6010 lm during binning will deliver 7212 lm (6010×1.2) at steady-state operation of $T_c = 25\text{ }^\circ\text{C}$, $I_f = 1500\text{ mA}$.



PRELIMINARY

TYPICAL SPATIAL DISTRIBUTION



PERFORMANCE GROUPS - BRIGHTNESS ($I_f = 1400 \text{ mA}$, $T_j = 85 \text{ °C}$)

XLamp CXA1850 LEDs are tested for luminous flux and placed into one of the following bins.

Group Code	Min. Luminous Flux @ 1400 mA	Max. Luminous Flux @ 1400 mA
U2	3680	3955
U4	3955	4230
V2	4230	4545
V4	4545	4860
W2	4860	5225
W4	5225	5590
X2	5590	6010
X4	6010	6430
Y2	6430	6910

PRELIMINARY

PERFORMANCE GROUPS - CHROMATICITY ($T_j = 85\text{ }^\circ\text{C}$)

XLamp CXA1850 LEDs are tested for chromaticity and placed into one of the regions defined by the following bounding coordinates.

EasyWhite Color Temperatures – 4-Step			
Code	CCT	x	y
65F	6500 K	0.3253	0.3325
		0.3249	0.3439
		0.3331	0.3514
		0.3330	0.3393
57F	5700 K	0.3097	0.3196
		0.3079	0.3297
		0.3164	0.3382
		0.3176	0.3275
50F	5000 K	0.3407	0.3459
		0.3415	0.3586
		0.3499	0.3654
		0.3484	0.3521
40F	4000 K	0.3744	0.3685
		0.3782	0.3837
		0.3912	0.3917
		0.3863	0.3758
35F	3500 K	0.3981	0.3800
		0.4040	0.3966
		0.4186	0.4037
		0.4116	0.3865
30F	3000 K	0.4242	0.3919
		0.4322	0.4096
		0.4449	0.4141
		0.4359	0.3960
27F	2700 K	0.4475	0.3994
		0.4573	0.4178
		0.4695	0.4207
		0.4589	0.4021

EasyWhite Color Temperatures – 2-Step			
Code	CCT	x	y
50H	5000 K	0.3429	0.3507
		0.3434	0.3571
		0.3475	0.3604
		0.3469	0.3539
40H	4000 K	0.3784	0.3741
		0.3804	0.3818
		0.3867	0.3857
		0.3844	0.3778
35H	3500 K	0.4030	0.3857
		0.4061	0.3941
		0.4132	0.3976
		0.4099	0.3890
30H	3000 K	0.4291	0.3973
		0.4333	0.4062
		0.4395	0.4084
		0.4351	0.3994
27H	2700 K	0.4528	0.4046
		0.4578	0.4138
		0.4638	0.4152
		0.4586	0.4060

PRELIMINARY

PERFORMANCE GROUPS - CHROMATICITY ($T_j = 85\text{ }^\circ\text{C}$) - CONTINUED

ANSI White Bins				
Code	CCT	Bin Code	x	y
0E1	6500 K	1A0	0.3048	0.3207
			0.3130	0.3290
			0.3144	0.3186
			0.3068	0.3113
		1B0	0.3028	0.3304
			0.3115	0.3391
			0.3130	0.3290
			0.3048	0.3207
		1C0	0.3115	0.3391
			0.3205	0.3481
			0.3213	0.3373
			0.3130	0.3290
		1D0	0.3130	0.3290
			0.3213	0.3373
			0.3221	0.3261
			0.3144	0.3186

ANSI White Bins				
Code	CCT	Bin Code	x	y
0E2	5700 K	2A0	0.3215	0.3350
			0.3290	0.3417
			0.3290	0.3300
			0.3222	0.3243
		2B0	0.3207	0.3462
			0.3290	0.3538
			0.3290	0.3417
			0.3215	0.3350
		2C0	0.3290	0.3538
			0.3376	0.3616
			0.3371	0.3490
			0.3290	0.3417
		2D0	0.3290	0.3417
			0.3371	0.3490
			0.3366	0.3369
			0.3290	0.3300

ANSI White Bins				
Code	CCT	Bin Code	x	y
0E3	5000 K	3A0	.3371	.3490
			.3451	.3554
			.3440	.3427
			.3366	.3369
		3B0	.3376	.3616
			.3463	.3687
			.3451	.3554
			.3371	.3490
		3C0	.3463	.3687
			.3551	.3760
			.3533	.3620
			.3451	.3554
		3D0	.3451	.3554
			.3533	.3620
			.3515	.3487
			.3440	.3427

ANSI White Bins				
Code	CCT	Bin Code	x	y
0E5	4000 K	5A0	.3670	.3578
			.3702	.3722
			.3825	.3798
			.3783	.3646
		5B0	.3702	.3722
			.3736	.3874
			.3869	.3958
			.3825	.3798
		5C0	.3825	.3798
			.3869	.3958
			.4006	.4044
			.3950	.3875
		5D0	.3783	.3646
			.3825	.3798
			.3950	.3875
			.3898	.3716

ANSI White Bins				
Code	CCT	Bin Code	x	y
0E6	3500 K	6A0	.3889	.3690
			.3941	.3848
			.4080	.3916
			.4017	.3751
		6B0	.3941	.3848
			.3996	.4015
			.4146	.4089
			.4080	.3916
		6C0	.4080	.3916
			.4146	.4089
			.4299	.4165
			.4221	.3984
		6D0	.4017	.3751
			.4080	.3916
			.4221	.3984
			.4147	.3814

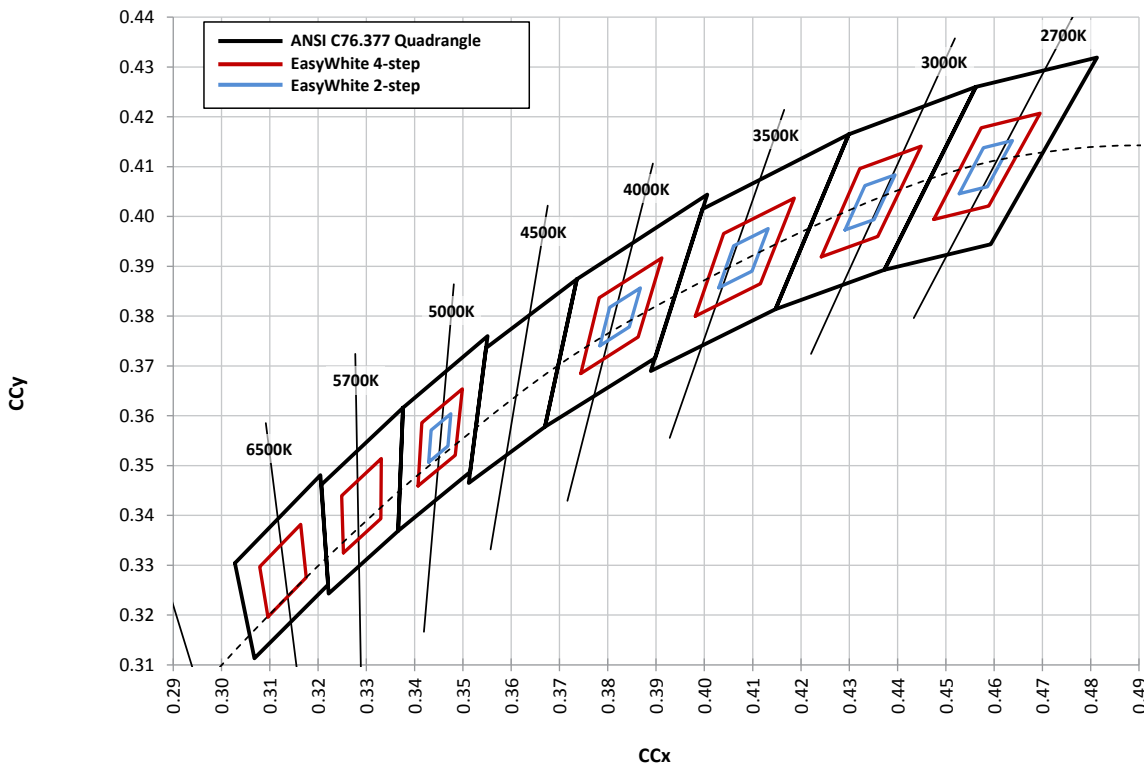
PRELIMINARY

PERFORMANCE GROUPS - CHROMATICITY ($T_j = 85\text{ }^\circ\text{C}$) - CONTINUED

ANSI White Bins				
Code	CCT	Bin Code	x	y
0E7	3000 K	7A0	.4147	.3814
			.4221	.3984
			.4342	.4028
			.4259	.3853
		7B0	.4221	.3984
			.4299	.4165
			.4430	.4212
			.4342	.4028
		7C0	.4342	.4028
			.4430	.4212
			.4562	.4260
			.4465	.4071
		7D0	.4259	.3853
			.4342	.4028
			.4465	.4071
			.4373	.3893

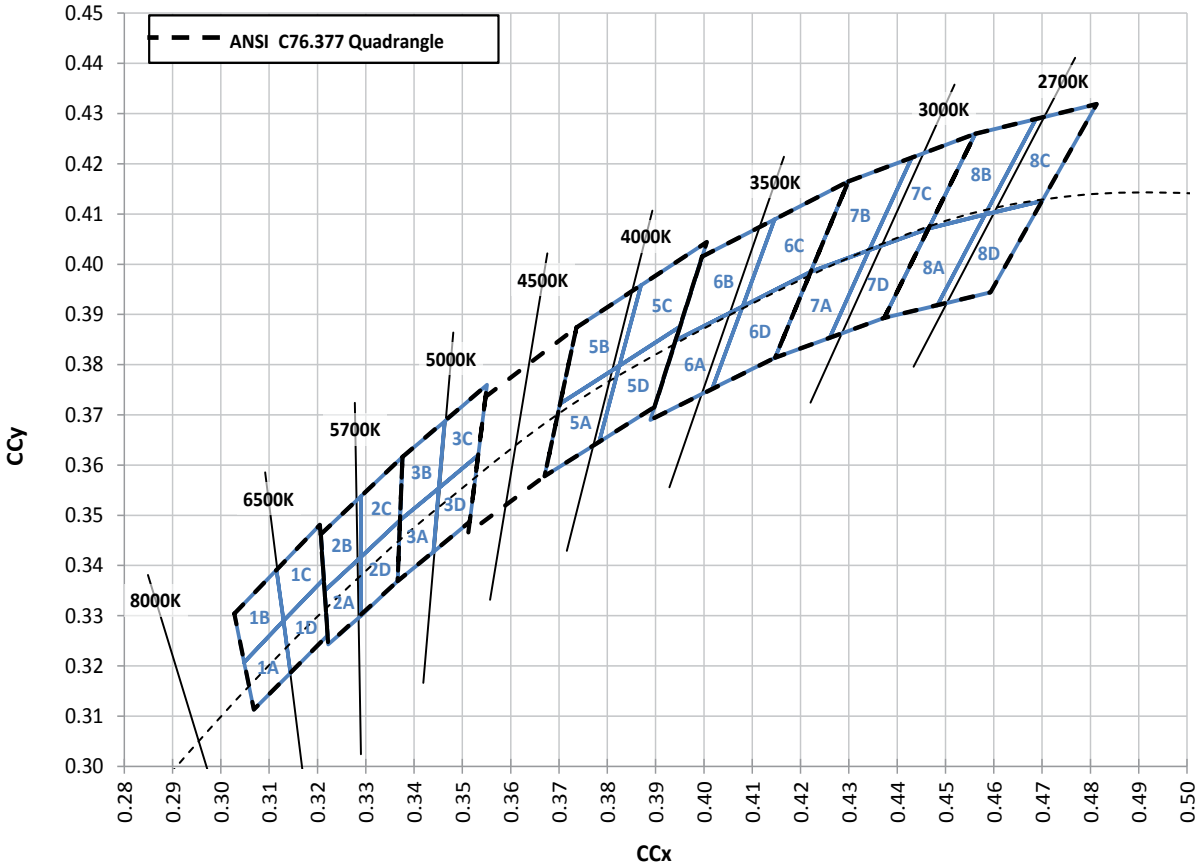
ANSI White Bins				
Code	CCT	Bin Code	x	y
0E8	2700 K	8A0	.4373	.3893
			.4465	.4071
			.4582	.4099
			.4483	.3919
		8B0	.4465	.4071
			.4562	.4260
			.4687	.4289
			.4582	.4099
		8C0	.4582	.4099
			.4687	.4289
			.4813	.4319
			.4700	.4126
		8D0	.4483	.3919
			.4582	.4099
			.4700	.4126
			.4593	.3944

CREE EASYWHITE BINS PLOTTED ON THE CIE 1931 COLOR SPACE ($T_j = 85\text{ }^\circ\text{C}$)



PRELIMINARY

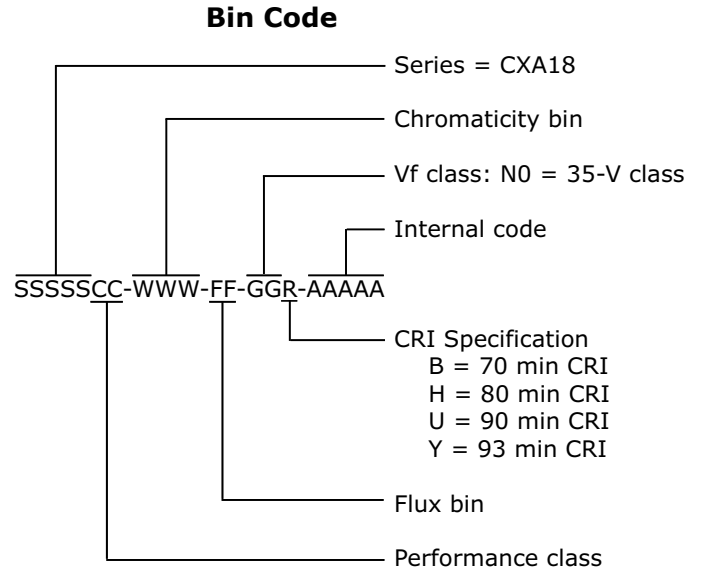
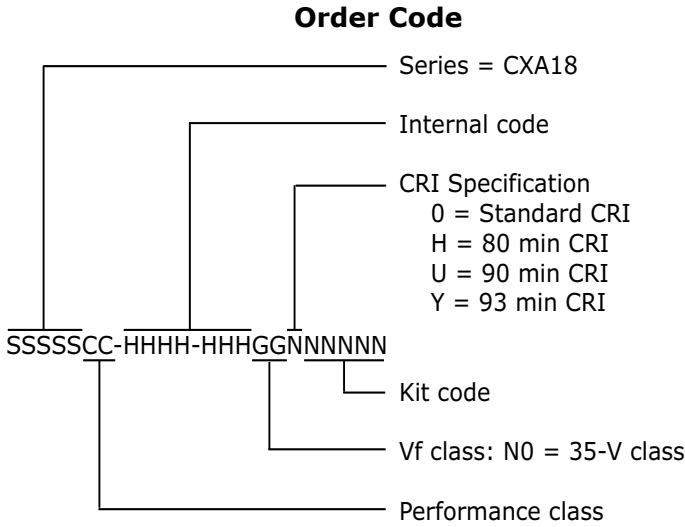
CREE ANSI WHITE BINS PLOTTED ON THE CIE 1931 COLOR SPACE ($T_j = 85^\circ\text{C}$)



PRELIMINARY

BIN AND ORDER CODE FORMATS

Bin codes and order codes are configured as follows:



MECHANICAL DIMENSIONS

Dimensions are in mm.

Tolerances unless otherwise

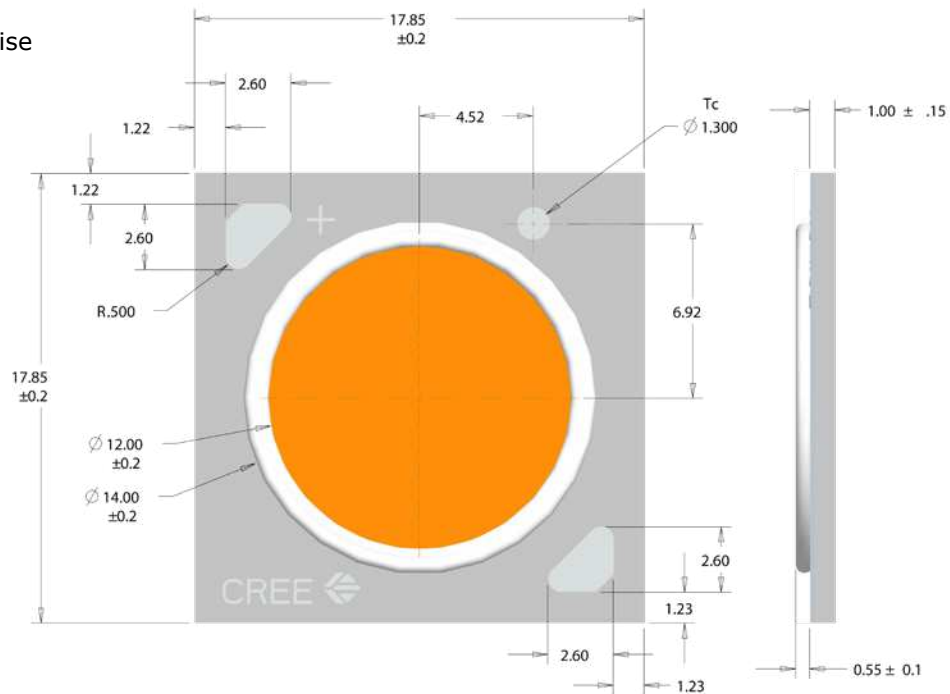
specified:

.x ± .10

.xx ± .03

.xxx ± .010

x° ± 1°



PRELIMINARY

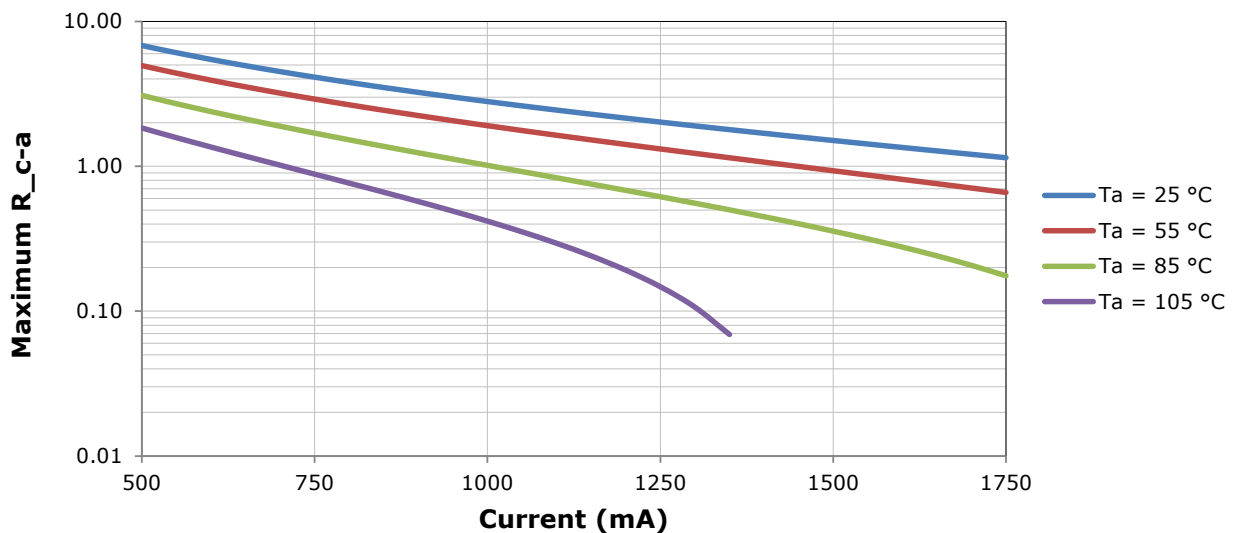
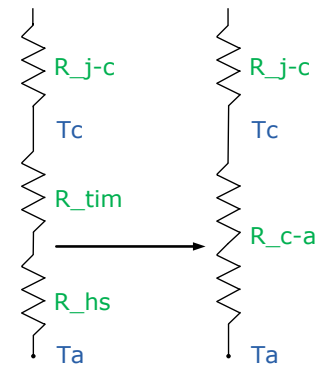
THERMAL DESIGN

The CXA family of LED arrays can include over a hundred different LED die inside one package, and thus over a hundred different junction temperatures (T_j). Cree has intentionally removed junction-temperature-based operating limits and replaced the commonplace maximum T_j calculations with maximum ratings based on forward current (I_f) and case temperature (T_c). No additional calculations are required to ensure the CXA LED is being operated within its designed limits. Please refer to page 2 for the Operating Limit specification.

Cree has measured the temperature at the bottom of the package, commonly referred to as the solder point (T_{sp}), and found this value to be equivalent to the temperature at the T_c location at the top of the package once the LED has reached thermal equilibrium. There is no need to calculate for T_j inside the package, as the thermal management design process, specifically from T_{sp} to ambient (T_a), remains identical to any other LED component. For more information on thermal management of Cree XLamp LEDs, please refer to the XLamp Thermal Management application note at www.cree.com/xlamp_app_notes/thermal_management. For CXA soldering recommendations and more information on thermal interface materials (TIM) and connection methods, please refer to the Cree XLamp CXA Family LEDs soldering and handling document at www.cree.com/xlamp_app_notes/CXA_SH.

To keep the CXA1850 LED at or below the maximum rated T_c , the case to ambient temperature thermal resistance (R_{c-a}) must be at or below the maximum R_{c-a} value shown on the following graph, depending on the operating environment. The y-axis in the graph is a base 10 logarithmic scale.

As the figure at right shows, the R_{c-a} value is the sum of the thermal resistance of the TIM (R_{tim}) plus the thermal resistance of the heat sink (R_{hs}).



PRELIMINARY

NOTES

Lumen Maintenance Projections

Cree now uses standardized IES LM-80-08 and TM-21-11 methods for collecting long-term data and extrapolating LED lumen maintenance. For information on the specific LM-80 data sets available for this LED, refer to the public LM-80 results document at www.cree.com/xlamp_app_notes/LM80_results.

Please read the XLamp Long-Term Lumen Maintenance application note at www.cree.com/xlamp_app_notes/lumen_maintenance for more details on Cree's lumen maintenance testing and forecasting. Please read the XLamp Thermal Management application note at www.cree.com/xlamp_app_notes/thermal_management for details on how thermal design, ambient temperature, and drive current affect the LED junction temperature.

Vision Advisory Claim

Users should be cautioned not to stare at the light of this LED product. The bright light can damage the eye.

PRELIMINARY

PACKAGING

Cree CXA1830 LEDs are packaged in trays of 20. Five trays are sealed in an anti-static bag and placed inside a carton, for a total of 100 LEDs per carton. Each carton contains 100 LEDs from the same performance bin.

Dimensions are in inches.

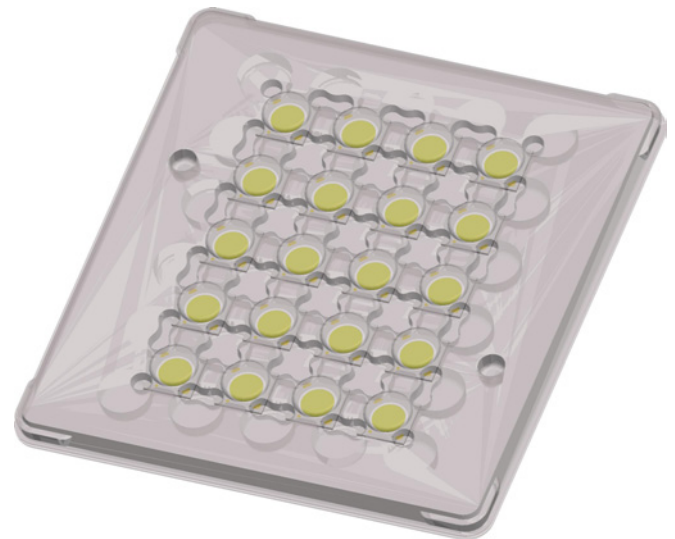
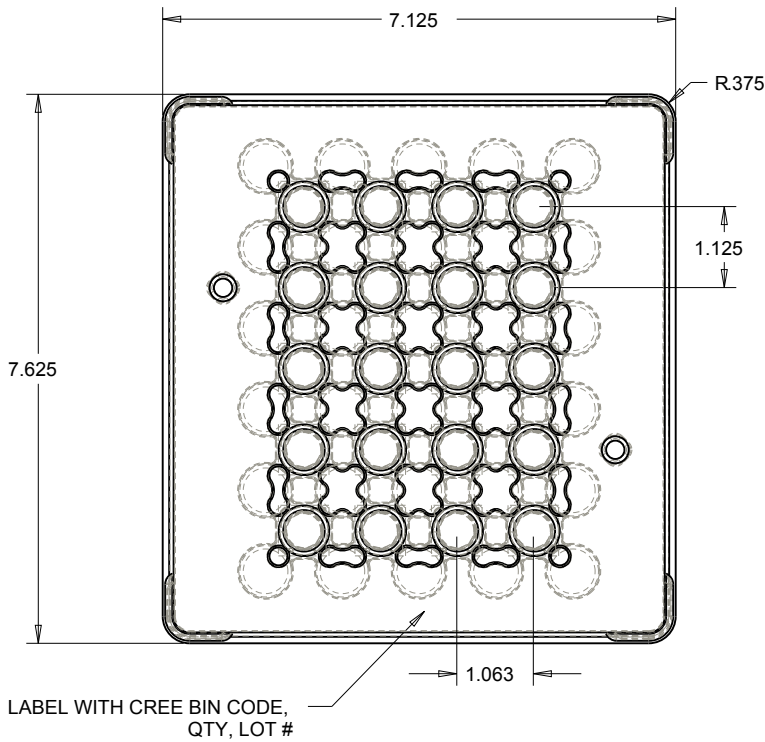
Tolerances:

.x ± .1

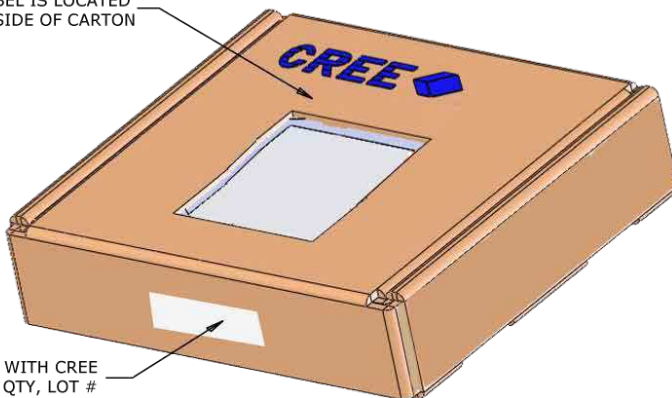
.xx ± .05

.xxx ± .005

x° ± 1°



PATENT LABEL IS LOCATED ON UNDERSIDE OF CARTON



BAG

