



Chipsmall Limited consists of a professional team with an average of over 10 year of expertise in the distribution of electronic components. Based in Hongkong, we have already established firm and mutual-benefit business relationships with customers from,Europe,America and south Asia,supplying obsolete and hard-to-find components to meet their specific needs.

With the principle of “Quality Parts,Customers Priority,Honest Operation,and Considerate Service”,our business mainly focus on the distribution of electronic components. Line cards we deal with include Microchip,ALPS,ROHM,Xilinx,Pulse,ON,Everlight and Freescale. Main products comprise IC,Modules,Potentiometer,IC Socket,Relay,Connector.Our parts cover such applications as commercial,industrial, and automotives areas.

We are looking forward to setting up business relationship with you and hope to provide you with the best service and solution. Let us make a better world for our industry!



Contact us

Tel: +86-755-8981 8866 Fax: +86-755-8427 6832

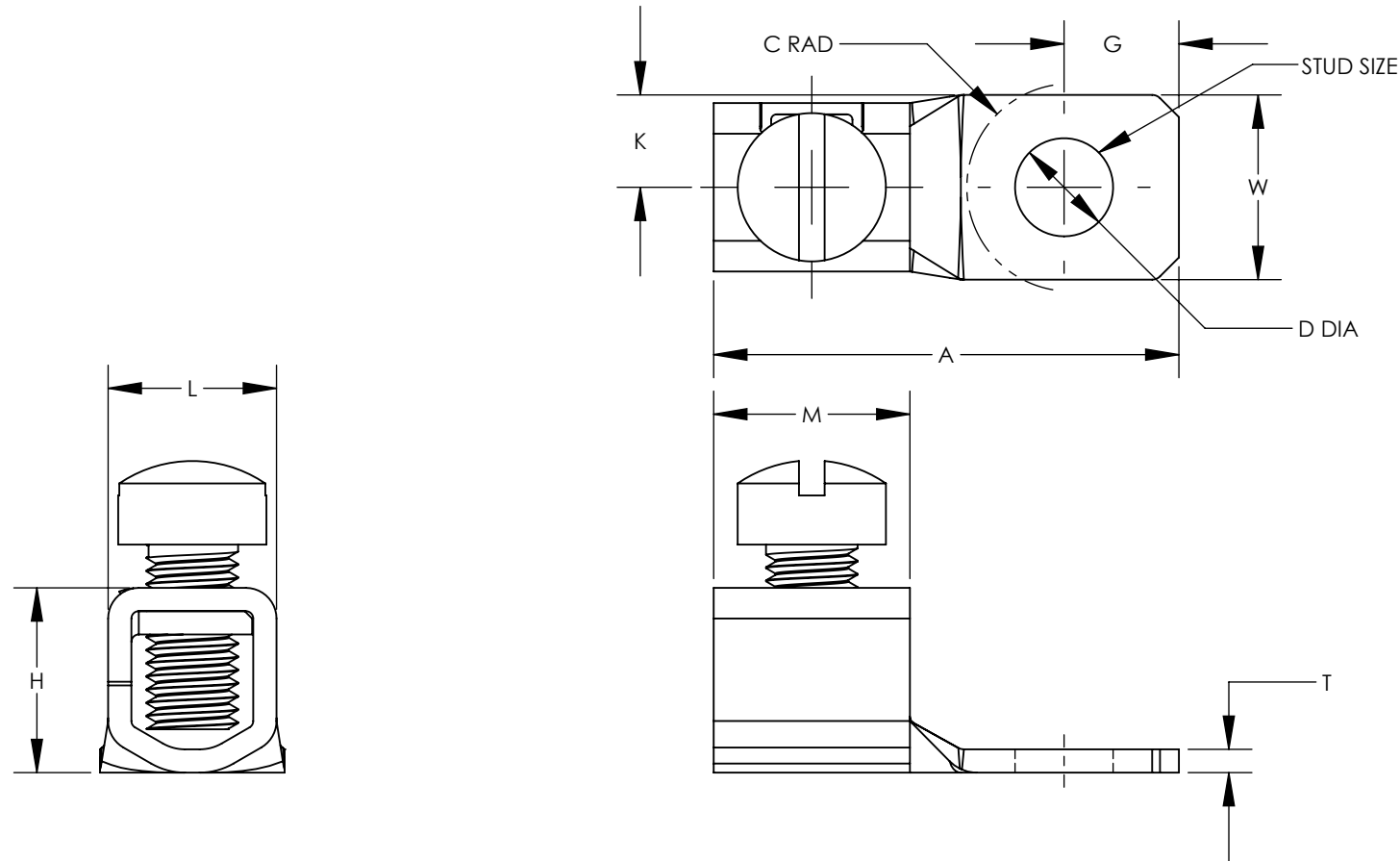
Email & Skype: info@chipsmall.com Web: www.chipsmall.com

Address: A1208, Overseas Decoration Building, #122 Zhenhua RD., Futian, Shenzhen, China



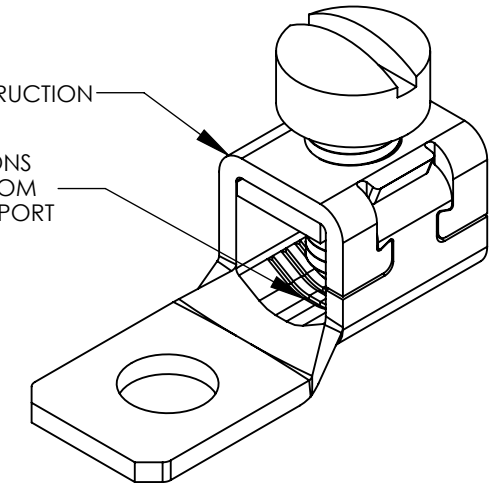
NOTES:

- MATERIAL:
BODY - COPPER: "T" IN PART NUMBER DENOTES TIN PLATED BODY
SCREW - STEEL, ZINC PLATED
- cULus LISTED FOR USE UP TO 600V AND TEMPERATURE RATED 90°C
- RATED FOR USE WITH COPPER STRANDED CODE CONDUCTOR ONLY
- THESE PARTS ARE RoHS COMPLIANT
- PKG. QY.:
C = 100
D = 500
Q = 25



ONE PIECE BODY CONSTRUCTION

SERRATIONS ON BOTTOM OF WIRE PORT



| PANDUIT PART NUMBER | STRANDED COPPER WIRE RANGE | SCREW TORQUE IN-LB [N.m] | STUD SIZE (IN) | DIMENSIONS - IN [mm] +/- .02 [.5] | | | | | | | | | | SCREW STYLE |
|-----------------------------|----------------------------|------------------------------------------------------------------------------------------------------------------------------------------------------|----------------|-----------------------------------|-------------|-------------|------------|-------------|-------------|------------|-------------|-------------|-------------|------------------------|
| | | | | D DIA | G | W | K | A | M | T | H | L | C (MAX.) | |
| CXS35-36-C CXS35-36T-C | 14 AWG - 6 AWG | 14 AWG = 8 IN-LB [.9] 12 AWG - 10 AWG = 10 IN-LB [1.1] 8 AWG - 6 AWG = 12 IN-LB [1.4] | 3/16" | 0.21 [5.3] | 0.25 [6.4] | 0.38 [9.7] | 0.19 [4.8] | 1.08 [27.4] | 0.47 [12.0] | 0.05 [1.3] | 0.39 [9.9] | 0.33 [8.5] | 0.24 [6.1] | SLOTTED FILLISTER HEAD |
| CXS70-14-C CXS70-14T-C | 14 AWG - 4 AWG | * (2) 14 AWG TWISTED = 15 IN-LB [1.7] * (2) 12 AWG TWISTED = 20 IN-LB [2.3] 14 AWG - 10 AWG = 20 IN-LB [1.7] 8 AWG - 4 AWG = 25 IN-LB [2.8] | 1/4" | 0.27 [6.8] | 0.31 [7.9] | 0.50 [12.7] | 0.25 [6.4] | 1.28 [32.5] | 0.53 [13.5] | 0.06 [1.5] | 0.50 [12.7] | 0.47 [11.9] | 0.28 [7.1] | SLOTTED FILLISTER HEAD |
| CXS125-14-Q CXS125-14T-Q | 4 AWG - 1/0 AWG | 50 IN-LB [5.6] | 1/4" | .27 [6.8] | 0.44 [11.2] | 0.62 [15.7] | 0.31 [7.9] | 1.60 [40.6] | 0.65 [16.5] | 0.09 [2.3] | 0.73 [18.4] | 0.60 [15.3] | 0.41 [10.4] | SLOTTED FILLISTER HEAD |
| CXS125-56-Q CXS125-56T-Q | | | 5/16" | 0.34 [8.7] | | | | | | | | | | |

* MULTIPLE WIRES MUST BE TWISTED TOGETHER BEFORE INSERTION INTO CONNECTOR

NOTE: SCREW STYLE & SIZE MAY DIFFER FROM CHART. DIFFERENCE IN STYLE/SIZE WILL NOT AFFECT FIT, FORM, OR FUNCTION OF PART.

| REV | DATE | BY | CHK | APR | DESCRIPTION | ECN |
|-----|------|------|------|-----|--------------------------------------------------------------------------------------------------------------|-------------|
| 08 | 8/14 | JHNU | TLCO | RGB | REVISED DIM'S FOR CXS125 PARTS: G WAS .43, A WAS 1.57, M WAS .63 | 12J038AQ-JC |
| 07 | 7/14 | JHNU | TLCO | RGB | ADDED CXS125 PARTS | 12J038AQ-JC |
| 06 | 5/14 | JHNU | TLCO | RGB | REVISED G DIMENSION FOR CXS35-36 PARTS: .25 WAS .23 REVISED A DIMENSION FOR CXS35-36 PARTS: 1.08 WAS 1.06 | 12J038AQ-JC |
| 05 | 4/14 | JHNU | TLCO | RGB | ADDED CXS35-36-C, CXS35-36T-C TO DRAWING ADDED "D" DIMENSION & METRIC TORQUE VALUES | 12J038AQ-JC |
| 04 | 3/14 | JHNU | TLCO | RGB | ADDED #14 AWG - #10 AWG = 20 IN-LB TO SCREW TORQUE | 12J038AQ-JC |
| 03 | 2/14 | JHNU | TLCO | RGB | REVISED "L" DIMENSION: .47 [11.9] WAS .46 [11.7] | 12J038AQ-JC |
| 02 | 2/14 | JHNU | TLCO | RGB | DRAWING LAYOUT REVISED CONVERTED DRAWING TO SOLIDWORKS | 12J038AQ-JC |

| | | | |
|-----------------------------------------------------------------|-----------------------|------------------------------------------|-------|
| TITLE | | CXS SERIES COPPER MECHANICAL LUGS | |
| CUSTOMER DRAWING | | | |
| ITEM REVISION NAME | 12J038AQ/08 | | |
| DATASET FILE NAME | 12J038AQ-JC/08.SLDDRW | | |
| UNLESS OTHERWISE SPECIFIED, DIMENSIONAL TOLERANCES ARE: IN [mm] | | MATERIAL | |
| .X ± | .XXX ± | SEE NOTES | |
| .XX ± | ANGLES ± | DRAWING NUMBER 12J038AQ-JC | |
| THIRD ANGLE PROJECTION | | SHEET 1 OF 1 | |
| DRAWN BY | DATE | CHK | SCALE |
| RWK | 8/13 | RLS | N/A |
| SIZE | | | B |