



Chipsmall Limited consists of a professional team with an average of over 10 year of expertise in the distribution of electronic components. Based in Hongkong, we have already established firm and mutual-benefit business relationships with customers from,Europe,America and south Asia,supplying obsolete and hard-to-find components to meet their specific needs.

With the principle of “Quality Parts,Customers Priority,Honest Operation,and Considerate Service”,our business mainly focus on the distribution of electronic components. Line cards we deal with include Microchip,ALPS,ROHM,Xilinx,Pulse,ON,Everlight and Freescale. Main products comprise IC,Modules,Potentiometer,IC Socket,Relay,Connector.Our parts cover such applications as commercial,industrial, and automotives areas.

We are looking forward to setting up business relationship with you and hope to provide you with the best service and solution. Let us make a better world for our industry!



Contact us

Tel: +86-755-8981 8866 Fax: +86-755-8427 6832

Email & Skype: info@chipsmall.com Web: www.chipsmall.com

Address: A1208, Overseas Decoration Building, #122 Zhenhua RD., Futian, Shenzhen, China



Spread Aware™, Frequency Multiplier, and Zero Delay Buffer

Features

- Spread Aware™ – designed to work with SSFTG reference signals
- 90 ps typical jitter OUT2
- 200 ps typical jitter OUT1
- 65 ps typical output-to-output skew
- 90 ps typical propagation delay
- Voltage range: 3.3 V ± 5%, or 5 V ± 10%
- Output frequency range: 20 MHz - 133 MHz
- Two outputs
- Configuration options allow various multiplication of the reference frequency, refer to [Configuration Options](#) to determine the specific option which meets your multiplication needs
- Available in 8-pin SOIC package

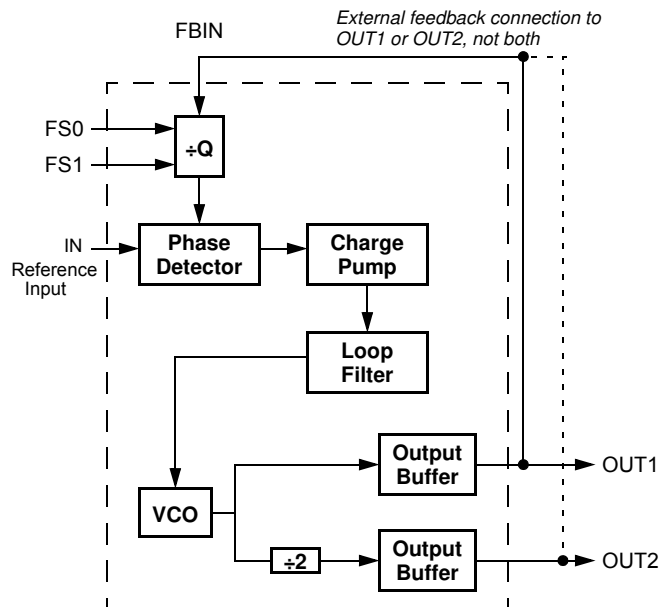
Configuration Options

FBIN	FS0	FS1	OUT1	OUT2
OUT1	0	0	2 X REF	REF
OUT1	1	0	4 X REF	2 X REF
OUT1	0	1	REF	REF/2
OUT1	1	1	8 X REF	4 X REF
OUT2	0	0	4 X REF	2 X REF
OUT2	1	0	8 X REF	4 X REF
OUT2	0	1	2 X REF	REF
OUT2	1	1	16 X REF	8 X REF

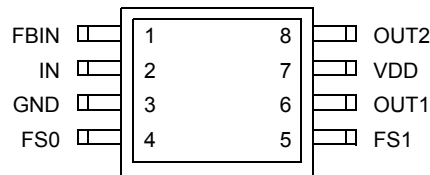
Functional Description

For a complete list of related documentation, click [here](#).

Block Diagram



Pin Configuration



Pin Definitions

Pin Name	Pin No.	Pin Type	Pin Description
IN	2	I	Reference Input: The output signals will be synchronized to this signal.
FBIN	1	I	Feedback Input: This input must be fed by one of the outputs (OUT1 or OUT2) to ensure proper functionality. If the trace between FBIN and the output pin being used for feedback is equal in length to the traces between the outputs and the signal destinations, then the signals received at the destinations will be synchronized to the REF signal input (IN).
OUT1	6	O	Output 1: The frequency of the signal provided by this pin is determined by the feedback signal connected to FBIN, and the FS0:1 inputs (see Table).
OUT2	8	O	Output 2: The frequency of the signal provided by this pin is one-half of the frequency of OUT1. See Table .
V _{DD}	7	P	Power Connections: Connect to 3.3 V or 5 V. This pin should be bypassed with a 0.1- μ F decoupling capacitor. Use ferrite beads to help reduce noise for optimal jitter performance.
GND	3	P	Ground Connection: Connect all grounds to the common system ground plane.
FS0:1	4, 5	I	Function Select Inputs: Tie to VDD (HIGH, 1) or GND (LOW, 0) as desired per Table .

Overview

The CY23S02 is a two-output zero delay buffer and frequency multiplier. It provides an external feedback path allowing maximum flexibility when implementing the Zero Delay feature. This is explained further in the sections of this data sheet titled “How to Implement Zero Delay,” and “Inserting Other Devices in Feedback Path.”

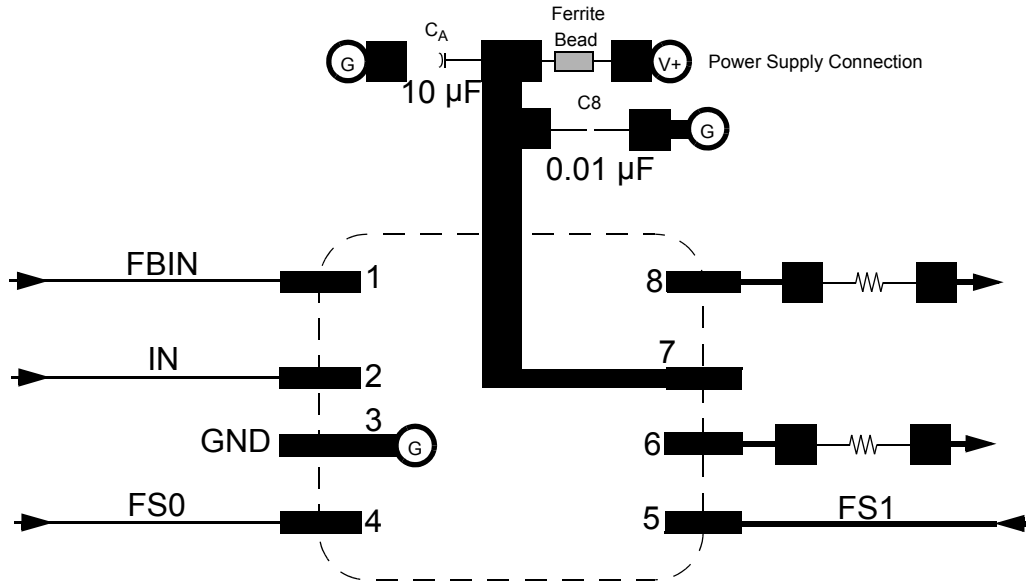
The CY23S02 is a pin-compatible upgrade of the Cypress W42C70-01. The CY23S02 addresses some application dependent problems experienced by users of the older device. Most importantly, it addresses the tracking skew problem induced by a reference that has Spread Spectrum Timing enabled on it.

Spread Aware

Many systems being designed now utilize a technology called spread spectrum frequency timing generation. Cypress has been one of the pioneers of SSFTG development, and we designed this product so as not to filter off the Spread Spectrum feature of the Reference input, assuming it exists. When a zero delay buffer is not designed to pass the SS feature through, the result is a significant amount of tracking skew which may cause problems in systems requiring synchronization.

For more details on Spread Spectrum timing technology, please see the Cypress application note titled, “EMI Suppression Techniques with Spread Spectrum Frequency Timing Generator (SSFTG) ICs.”

Figure 1. Schematic/Suggested Layout



How to Implement Zero Delay

Typically, zero delay buffers (ZDBs) are used because a designer wants to provide multiple copies of a clock signal in phase with each other. The whole concept behind ZDBs is that the signals at the destination chips are all going HIGH at the same time as the input to the ZDB. In order to achieve this, layout must compensate for trace length between the ZDB and the target devices. The method of compensation is described below.

External feedback is the trait that allows for this compensation. The PLL on the ZDB causes the feedback signal to be in phase with the reference signal. When laying out the board, match the trace lengths between the output being used for feed back and the FBIN input to the PLL.

If it is desirable to either add a little delay, or slightly precede the input signal, this may also be affected by either making the trace to the FBIN pin a little shorter or a little longer than the traces to the devices being clocked.

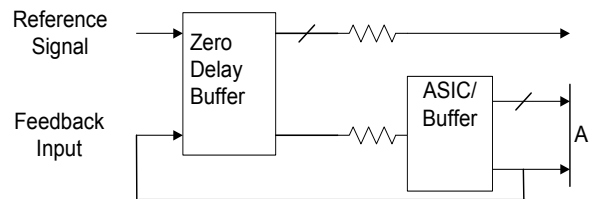
Inserting Other Devices in Feedback Path

Another nice feature available due to the external feedback is the ability to synchronize signals up to the signal coming from some other device. This implementation can be applied to any device (ASIC, multiple output clock buffer/driver, and so on) that is put into the feedback path.

Referring to Figure 2, if the traces between the ASIC/Buffer and the destination of the clock signal(s) (A) are equal in length to the trace between the buffer and the FBIN pin, the signals at the

destination(s) device is driven HIGH at the same time the Reference clock provided to the ZDB goes HIGH. Synchronizing the other outputs of the ZDB to the outputs from the ASIC/Buffer is more complex however, as any propagation delay in the ASIC/Buffer must be accounted for.

Figure 2. Six Output Buffer in the Feedback Path



Phase Alignment

In cases where OUT1 (i.e., the higher frequency output) is connected to FBIN input pin the output OUT2 rising edges may be either 0° or 180° phase aligned to the IN input waveform (as set randomly when the input and/or power is supplied). If OUT2 is desired to be rising-edge aligned to the IN input's rising edge, then connect the OUT2 (i.e., the lowest frequency output) to the FBIN pin. This setup provides a consistent input-output phase relationship.

Absolute Maximum Ratings

Stresses greater than those listed in this table may cause permanent damage to the device. These represent a stress rating only. Operation of the device at these or any other conditions above those specified in the operating sections of this specification is not implied. Maximum conditions for extended periods may affect reliability.

Parameter	Description	Rating	Unit
V_{DD}, V_{IN}	Voltage on any pin with respect to GND	-0.5 to +7.0	V
T_{STG}	Storage temperature	-65 to +150	°C
T_A	Operating temperature	0 to +70	°C
T_B	Ambient temperature under bias	-55 to +125	°C
P_D	Power dissipation	0.5	W

DC Electrical Characteristics

$T_A = 0\text{ °C to }70\text{ °C or }-40\text{ °C to }85\text{ °C}, V_{DD} = 3.3\text{ V} \pm 5\%$

Parameter	Description	Test Condition	Min.	Typ.	Max.	Unit
I_{DD}	Supply current	Unloaded, 133 MHz	-	17	35	mA
V_{IL}	Input low voltage		-	-	0.8	V
V_{IH}	Input high voltage		2.0	-	-	V
V_{OL}	Output low voltage	$I_{OL} = 8\text{ mA}$	-	-	0.4	V
V_{OH}	Output high voltage	$I_{OH} = 8\text{ mA}$	2.4	-	-	V
I_{IL}	Input low current	$V_{IN} = 0\text{ V}$	-40	-	5	μA
I_{IH}	Input high current	$V_{IN} = V_{DD}$	-	-	5	μA

DC Electrical Characteristics

$T_A = 0\text{ °C to }70\text{ °C or }-40\text{ °C to }85\text{ °C}, V_{DD} = 5\text{ V} \pm 10\%$

Parameter	Description	Test Condition	Min.	Typ.	Max.	Unit
I_{DD}	Supply Current	Unloaded, 133 MHz	-	31	50	mA
V_{IL}	Input Low Voltage		-	-	0.8	V
V_{IH}	Input High Voltage		2.0	-	-	V
V_{OL}	Output Low Voltage	$I_{OL} = 8\text{ mA}$	-	-	0.4	V
V_{OH}	Output High Voltage	$I_{OH} = 8\text{ mA}$	2.4	-	-	V
I_{IL}	Input Low Current	$V_{IN} = 0\text{ V}$	-80	-	5	μA
I_{IH}	Input High Current	$V_{IN} = V_{DD}$	-	-	5	μA

Thermal Resistance

Parameter ^[1]	Description	Test Conditions	8-pin SOIC	Unit
θ_{JA}	Thermal resistance (junction to ambient)	Test conditions follow standard test methods and procedures for measuring thermal impedance, in accordance with EIA/JESD51.	132	°C/W
θ_{JC}	Thermal resistance (junction to case)		43	°C/W

Note

1. These parameters are guaranteed by design and are not tested.

AC Electrical Characteristics

 $T_A = 0\text{ }^\circ\text{C to }+70\text{ }^\circ\text{C or }-40\text{ }^\circ\text{C to }85\text{ }^\circ\text{C, }V_{DD} = 3.3\text{ V} \pm 5\%$

Parameter	Description	Test Condition	Min.	Typ.	Max.	Unit
f_{IN}	Input frequency ^[2]	OUT2 = REF	10	–	133	MHz
f_{OUT}	Output frequency	OUT1	20	–	133	MHz
t_R	Output rise time	0.8 V to 2.0 V, 15-pF load	–	–	3.5	ns
t_F	Output fall time	2.0 V to 0.8 V, 15-pF load	–	–	2.5	ns
t_{ICLKR}	Input clock rise time ^[3]		–	–	10	ns
t_{ICLKF}	Input clock fall time ^[3]		–	–	10	ns
t_{PD}	FBIN to IN (Reference Input) Skew ^[4, 5]		–	–	300	ps
t_{DC}	Duty cycle ^[6]	Note 6	40	50	60	%
t_{LOCK}	PLL lock time	Power supply stable	–	–	1.0	ms
t_{JC}	Jitter, Cycle-to-Cycle ^[7]	OUT1	–	200	300	ps
		OUT2	–	90	300	ps
t_{SKEW}	Output-output Skew		–	65	250	ps
t_{PD}	Propagation delay		–350	90	350	ps

AC Electrical Characteristics

 $T_A = 0\text{ }^\circ\text{C to }+70\text{ }^\circ\text{C or }-40\text{ }^\circ\text{C to }85\text{ }^\circ\text{C, }V_{DD} = 5\text{ V} \pm 10\%$

Parameter	Description	Test Condition	Min.	Typ.	Max.	Unit
f_{IN}	Input frequency ^[2]	OUT2 = REF	10	—	133	MHz
f_{OUT}	Output frequency	OUT1	20	—	133	MHz
t_R	Output rise time	0.8 V to 2.0 V, 15-pF load	—	—	3.5	ns
t_F	Output fall time	2.0 V to 0.8 V, 15-pF load	—	—	2.5	ns
t_{ICLKR}	Input clock rise time ^[3]		—	—	10	ns
t_{ICLKF}	Input clock fall time ^[3]		—	—	10	ns
t_{PD}	FBIN to IN (Reference Input) Skew ^[4, 5]		—	—	300	ps
t_D	Duty cycle ^[8, 9]		40	50	60	%
t_{LOCK}	PLL lock time	Power supply stable	—	—	1.0	ms
t_{JC}	Jitter, Cycle-to-Cycle ^[7]	OUT1	—	200	300	ps
		OUT2	—	90	300	ps
t_{SKEW}	Output-output skew		—	65	250	ps
t_{PD}	Propagation delay		–350	90	350	ps

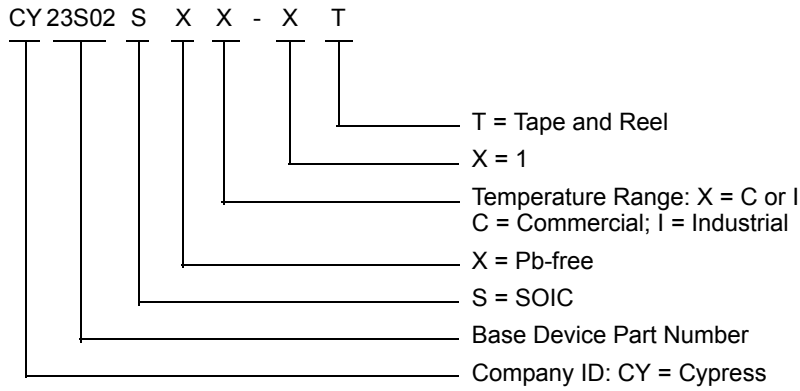
Notes

- Input frequency is limited by output frequency range and input to output frequency multiplication factor (that is determined by circuit configuration).
- Longer input rise and fall time will degrade skew and jitter performance.
- All AC specifications are measured with a 50 Ω transmission line, load terminated with 50 Ω to 1.4 V.
- Skew is measured at 1.4 V on rising edges.
- Duty cycle is measured at 1.4 V.
- Jitter is measured on 133-MHz signal at 1.4 V, low frequency jitter = 350 ps.
- Duty cycle is measured at 1.4 V, 120 MHz.
- Duty cycle at 133 MHz is 35/65 worst case.

Ordering Information

Ordering Code	Package Type	Temperature Grade
Pb-free		
CY23S02SXI-1	8-pin SOIC (150 mil)	Industrial, -40 °C to 85 °C
CY23S02SXI-1T	8-pin SOIC (150 mil) - Tape and Reel	Industrial, -40 °C to 85 °C

Ordering Code Definitions

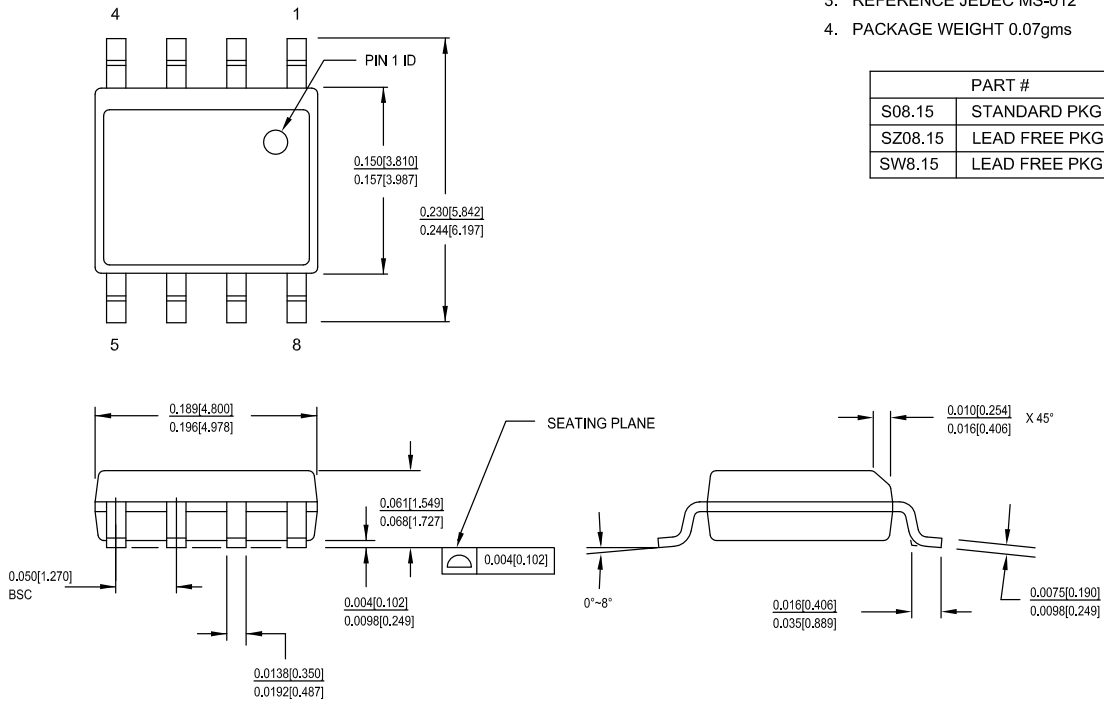


Package Diagram

Figure 3. 8-pin SOIC (150 Mils) S0815/SZ815/SW815 Package Outline, 51-85066

1. DIMENSIONS IN INCHES[MM] MIN. MAX.
2. PIN 1 ID IS OPTIONAL, ROUND ON SINGLE LEADFRAME RECTANGULAR ON MATRIX LEADFRAME
3. REFERENCE JEDEC MS-012
4. PACKAGE WEIGHT 0.07gms

PART #	
S08.15	STANDARD PKG
SZ08.15	LEAD FREE PKG
SW8.15	LEAD FREE PKG



51-85066 *H

Acronyms

Acronym	Description
ASIC	application-specific integrated circuit
EMI	electromagnetic interference
PLL	phase-locked loop
SOIC	small outline integrated circuit
SSFTG	Spread Spectrum Frequency Timing Generator
VCO	voltage controlled oscillator
ZDB	zero delay buffer

Document Conventions

Units of Measure

Symbol	Unit of Measure
°C	degree Celsius
μA	microampere
mA	milliampere
ms	millisecond
MHz	megahertz
ns	nanosecond
pF	picofarad
ps	picosecond
V	volt
W	watt

Document History Page

Document Title: CY23S02, Spread Aware™, Frequency Multiplier, and Zero Delay Buffer Document Number: 38-07155				
Rev.	ECN No.	Issue Date	Orig. of Change	Description of Change
**	110265	12/18/01	SZV	Change from Spec number: 38-00795 to 38-07155
OBS	292037	See ECN	RGL	To Obsolete the DS
*B	348376	See ECN	RGL	Minor Change: Re-activate the Spec (Only commercial are obsoleted, all industrial parts area still active).
*C	378857	See ECN	RGL	Updated Overview : Added Phase Alignment . Add typical char data.
*D	2894970	03/23/2010	KVM	Updated Ordering Information (Removed inactive parts). Updated Package Diagram .
*E	3339549	08/08/2011	PURU	Added Ordering Code Definitions under Ordering Information . Updated Package Diagram . Added Acronyms and Units of Measure .
*F	4499739	09/11/2014	TAVA	Updated Package Diagram : spec 51-85066 – Changed revision from *E to *F. Updated to new template. Completing Sunset Review.
*G	4580603	11/26/2014	TAVA	Updated Functional Description : Added “For a complete list of related documentation, click here .” at the end.
*H	5276080	05/18/2016	PSR	Added Thermal Resistance . Updated Package Diagram : spec 51-85066 – Changed revision from *F to *H. Updated to new template.

Sales, Solutions, and Legal Information

Worldwide Sales and Design Support

Cypress maintains a worldwide network of offices, solution centers, manufacturer's representatives, and distributors. To find the office closest to you, visit us at [Cypress Locations](#).

Products

ARM® Cortex® Microcontrollers	cypress.com/arm
Automotive	cypress.com/automotive
Clocks & Buffers	cypress.com/clocks
Interface	cypress.com/interface
Lighting & Power Control	cypress.com/powerpsoc
Memory	cypress.com/memory
PSoC	cypress.com/psoc
Touch Sensing	cypress.com/touch
USB Controllers	cypress.com/usb
Wireless/RF	cypress.com/wireless

PSoC® Solutions

[PSoC 1](#) | [PSoC 3](#) | [PSoC 4](#) | [PSoC 5LP](#)

Cypress Developer Community

[Forums](#) | [Projects](#) | [Video](#) | [Blogs](#) | [Training](#) | [Components](#)

Technical Support

cypress.com/support

© Cypress Semiconductor Corporation, 2005-2016. This document is the property of Cypress Semiconductor Corporation and its subsidiaries, including Spansion LLC ("Cypress"). This document, including any software or firmware included or referenced in this document ("Software"), is owned by Cypress under the intellectual property laws and treaties of the United States and other countries worldwide. Cypress reserves all rights under such laws and treaties and does not, except as specifically stated in this paragraph, grant any license under its patents, copyrights, trademarks, or other intellectual property rights. If the Software is not accompanied by a license agreement and you do not otherwise have a written agreement with Cypress governing the use of the Software, then Cypress hereby grants you a personal, non-exclusive, nontransferable license (without the right to sublicense) (1) under its copyright rights in the Software (a) for Software provided in source code form, to modify and reproduce the Software solely for use with Cypress hardware products, only internally within your organization, and (b) to distribute the Software in binary code form externally to end users (either directly or indirectly through resellers and distributors), solely for use on Cypress hardware product units, and (2) under those claims of Cypress's patents that are infringed by the Software (as provided by Cypress, unmodified) to make, use, distribute, and import the Software solely for use with Cypress hardware products. Any other use, reproduction, modification, translation, or compilation of the Software is prohibited.

TO THE EXTENT PERMITTED BY APPLICABLE LAW, CYPRESS MAKES NO WARRANTY OF ANY KIND, EXPRESS OR IMPLIED, WITH REGARD TO THIS DOCUMENT OR ANY SOFTWARE OR ACCOMPANYING HARDWARE, INCLUDING, BUT NOT LIMITED TO, THE IMPLIED WARRANTIES OF MERCHANTABILITY AND FITNESS FOR A PARTICULAR PURPOSE. To the extent permitted by applicable law, Cypress reserves the right to make changes to this document without further notice. Cypress does not assume any liability arising out of the application or use of any product or circuit described in this document. Any information provided in this document, including any sample design information or programming code, is provided only for reference purposes. It is the responsibility of the user of this document to properly design, program, and test the functionality and safety of any application made of this information and any resulting product. Cypress products are not designed, intended, or authorized for use as critical components in systems designed or intended for the operation of weapons, weapons systems, nuclear installations, life-support devices or systems, other medical devices or systems (including resuscitation equipment and surgical implants), pollution control or hazardous substances management, or other uses where the failure of the device or system could cause personal injury, death, or property damage ("Unintended Uses"). A critical component is any component of a device or system whose failure to perform can be reasonably expected to cause the failure of the device or system, or to affect its safety or effectiveness. Cypress is not liable, in whole or in part, and you shall and hereby do release Cypress from any claim, damage, or other liability arising from or related to all Unintended Uses of Cypress products. You shall indemnify and hold Cypress harmless from and against all claims, costs, damages, and other liabilities, including claims for personal injury or death, arising from or related to any Unintended Uses of Cypress products.

Cypress, the Cypress logo, Spansion, the Spansion logo, and combinations thereof, PSoC, CapSense, EZ-USB, F-RAM, and Traveo are trademarks or registered trademarks of Cypress in the United States and other countries. For a more complete list of Cypress trademarks, visit cypress.com. Other names and brands may be claimed as property of their respective owners.