



Chipsmall Limited consists of a professional team with an average of over 10 year of expertise in the distribution of electronic components. Based in Hongkong, we have already established firm and mutual-benefit business relationships with customers from,Europe,America and south Asia,supplying obsolete and hard-to-find components to meet their specific needs.

With the principle of “Quality Parts,Customers Priority,Honest Operation,and Considerate Service”,our business mainly focus on the distribution of electronic components. Line cards we deal with include Microchip,ALPS,ROHM,Xilinx,Pulse,ON,Everlight and Freescale. Main products comprise IC,Modules,Potentiometer,IC Socket,Relay,Connector.Our parts cover such applications as commercial,industrial, and automotives areas.

We are looking forward to setting up business relationship with you and hope to provide you with the best service and solution. Let us make a better world for our industry!



## Contact us

Tel: +86-755-8981 8866 Fax: +86-755-8427 6832

Email & Skype: info@chipsmall.com Web: www.chipsmall.com

Address: A1208, Overseas Decoration Building, #122 Zhenhua RD., Futian, Shenzhen, China



# 1:10 Differential LVDS Fanout Buffer with Selectable Clock Input

## Features

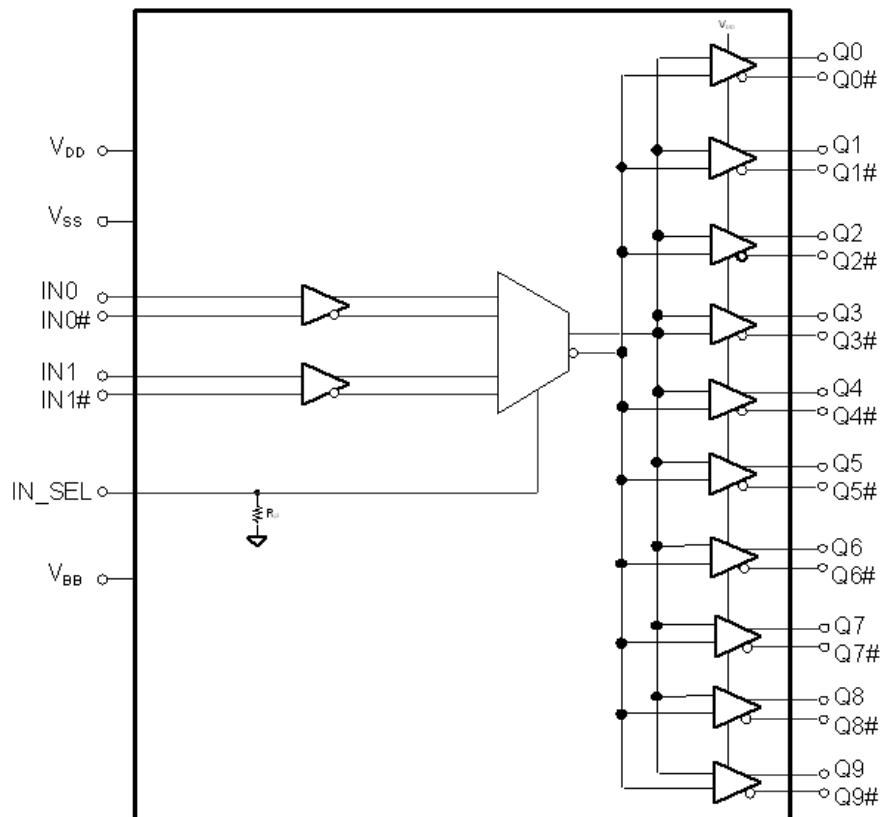
- Select one of two differential (LVPECL, LVDS, HCSL, or CML) input pairs to distribute to 10 LVDS output pairs
- Translate any single-ended input signal to 3.3 V LVDS level with resistor bias on INx# input
- 40-ps maximum output-to-output skew
- 600-ps maximum propagation delay
- 0.11-ps maximum additive RMS phase jitter at 156.25 MHz (12-kHz to 20-MHz offset)
- Up to 1.5-GHz operation
- 32-pin thin quad flat pack (TQFP) package
- 2.5-V or 3.3-V operating voltage <sup>[1]</sup>
- Commercial and industrial operating temperature range

## Functional Description

The CY2DL15110 is an ultra-low noise, low skew, low propagation delay 1:10 LVDS fanout buffer targeted to meet the requirements of high speed clock distribution applications. The CY2DL15110 can select between two separate differential (LVPECL, LVDS, HCSL, or CML) input clock pairs using the IN\_SEL pin. The device has a fully differential internal architecture that is optimized to achieve low additive jitter and low skew at operating frequencies of up to 1.5 GHz.

For a complete list of related documentation, [click here](#).

## Logic Block Diagram



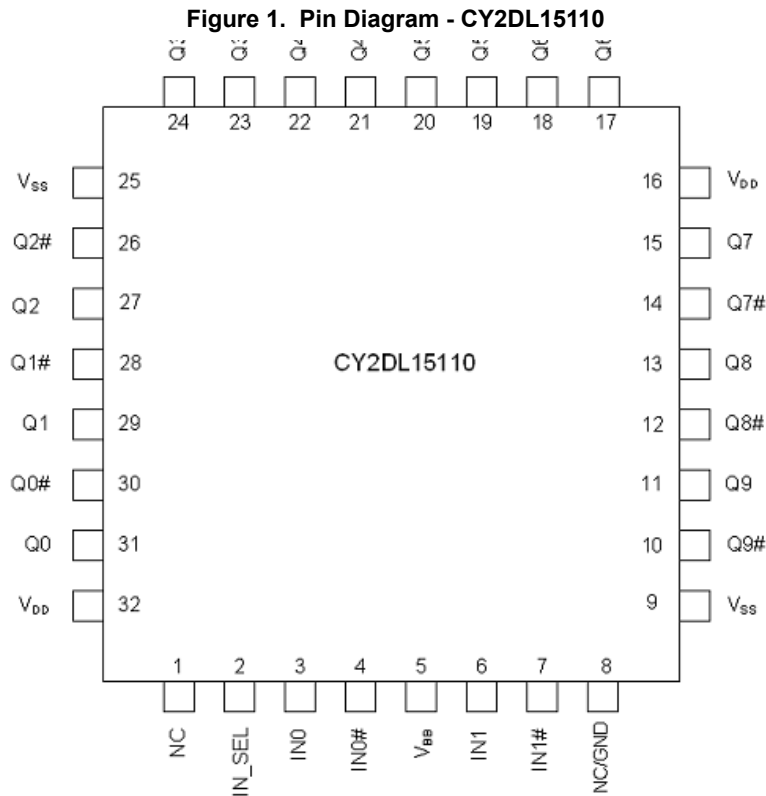
**Note**

1. Input AC-coupling capacitors are required for voltage-translation applications.

**Contents**

<b>Pinouts</b> .....	<b>3</b>	<b>Acronyms</b> .....	<b>12</b>
<b>Pin Definitions</b> .....	<b>3</b>	<b>Document Conventions</b> .....	<b>12</b>
<b>Absolute Maximum Ratings</b> .....	<b>4</b>	Units of Measure .....	12
<b>Operating Conditions</b> .....	<b>4</b>	<b>Document History Page</b> .....	<b>13</b>
<b>DC Electrical Specifications</b> .....	<b>5</b>	<b>Sales, Solutions, and Legal Information</b> .....	<b>14</b>
<b>AC Electrical Specifications 6</b>		Worldwide Sales and Design Support .....	14
<b>Application Information</b> .....	<b>9</b>	Products .....	14
<b>Ordering Information</b> .....	<b>10</b>	Products .....	14
Ordering Code Definitions .....	10	PSoC® Solutions .....	14
<b>Package Dimension</b> .....	<b>11</b>		

### Pinouts



### Pin Definitions

Pin No.	Pin Name	Pin Type	Description
1	NC		No connection
2	IN_SEL	Input	Input clock select pin. Low-voltage complementary metal oxide semiconductor (LVCMOS)/low-voltage transistor-transistor-logic (LVTTL). When IN_SEL = Low, the IN0/IN0# differential input pair is active. When IN_SEL = High, the IN1/IN1# differential input pair is active.
3	IN0	Input	Differential (LVPECL, HCSL, LVDS, or CML) input clock. Active when IN_SEL = Low.
4	IN0#	Input	Differential (LVPECL, HCSL, LVDS, or CML) complementary input clock. Active when IN_SEL = Low.
5	V <sub>BB</sub>	Output	LVDS reference voltage output
6	IN1	Input	Differential (LVPECL, HCSL, LVDS, or CML) input clock. Active when IN_SEL = High.
7	IN1#	Input	Differential (LVPECL, HCSL, LVDS, or CML) complementary input clock. Active when IN_SEL = High.
8	NC/GND	NC	Do not Connect or Ground
9, 25	V <sub>SS</sub>	Power	Ground
10, 12, 14, 17, 19, 21, 23, 26, 28, 30	Q(0:9)#	Output	LVDS complementary output clocks
11, 13, 15, 18, 20, 22, 24, 27, 29, 31	Q(0:9)	Output	LVDS output clocks
16, 32	V <sub>DD</sub>	Power	Power supply



## Absolute Maximum Ratings

Parameter	Description	Condition	Min	Max	Unit
V <sub>DD</sub>	Supply voltage	Nonfunctional	-0.5	4.6	V
V <sub>IN</sub> <sup>[2]</sup>	Input voltage, relative to V <sub>SS</sub>	Nonfunctional	-0.5	lesser of 4.0 or V <sub>DD</sub> + 0.4	V
V <sub>OUT</sub> <sup>[2]</sup>	DC output or I/O Voltage, relative to V <sub>SS</sub>	Nonfunctional	-0.5	lesser of 4.0 or V <sub>DD</sub> + 0.4	V
T <sub>S</sub>	Storage temperature	Nonfunctional	-55	150	°C
ESD <sub>HBM</sub>	Electrostatic discharge (ESD) protection (Human body model)	JEDEC STD 22-A114-B	2000	-	V
L <sub>U</sub>	Latch up		Meets or exceeds JEDEC Spec JESD78B IC latch up test		
UL-94	Flammability rating	At 1/8 in.	V-0		
MSL	Moisture sensitivity level		3		
T <sub>J</sub>	Junction temperature		-	135	°C

## Operating Conditions

Parameter	Description	Condition	Min	Max	Unit
V <sub>DD</sub>	Supply voltage	2.5-V supply	2.375	2.625	V
		3.3-V supply	3.135	3.465	V
T <sub>A</sub>	Ambient operating temperature	Commercial	0	70	°C
		Industrial	-40	85	°C
t <sub>PU</sub>	Power ramp time	Power-up time for V <sub>DD</sub> to reach minimum supply voltage (power ramp must be monotonic.)	0.05	500	ms
t <sub>STARTUP</sub>	Start up time	Time taken from V <sub>DD</sub> reaching 95% of its minimum supply voltage to the device being operational.	1	-	ms

**Note**

2. The voltage on any I/O pin cannot exceed the power pin during power-up. Power supply sequencing is not required.

## DC Electrical Specifications

( $V_{DD} = 3.3\text{ V} \pm 5\%$  or  $2.5\text{ V} \pm 5\%$ ;  $T_A = 0\text{ }^\circ\text{C}$  to  $70\text{ }^\circ\text{C}$  (Commercial) or  $-40\text{ }^\circ\text{C}$  to  $85\text{ }^\circ\text{C}$  (Industrial))

Parameter	Description	Condition	Min	Max	Unit
$I_{DD}$	Operating supply current	All LVDS outputs terminated with $100\ \Omega$ load [3, 4]	–	125	mA
$V_{IH1}$	Input high Voltage, LVDS input clocks, IN0, IN0#, IN1, and IN1#		–	$V_{DD} + 0.3$	V
$V_{IL1}$	Input low voltage, LVDS input clocks, IN0, IN0#, IN1, and IN1#		–0.3	–	V
$V_{IH2}$	Input high voltage, IN_SEL	$V_{DD} = 3.3\text{ V}$	2.0	$V_{DD} + 0.3$	V
$V_{IL2}$	Input low voltage, IN_SEL	$V_{DD} = 3.3\text{ V}$	–0.3	0.8	V
$V_{IH3}$	Input high voltage, IN_SEL	$V_{DD} = 2.5\text{ V}$	1.7	$V_{DD} + 0.3$	V
$V_{IL3}$	Input low voltage, IN_SEL	$V_{DD} = 2.5\text{ V}$	–0.3	0.7	V
$V_{ID}^{[5]}$	Input differential amplitude	See <a href="#">Figure 3 on page 7</a>	0.4	0.8	V
$V_{ICM}$	Input common mode voltage	See <a href="#">Figure 3 on page 7</a>	0.5	$V_{DD} - 0.2$	V
$I_{IH}$	Input high current, All inputs	Input = $V_{DD}^{[6]}$	–	150	$\mu\text{A}$
$I_{IL}$	Input low current, All inputs	Input = $V_{SS}^{[6]}$	–150	–	$\mu\text{A}$
$V_{PP}$	LVDS differential output voltage peak to peak, single-ended	$V_{DD} = 3.3\text{ V}$ or $2.5\text{ V}$ , $R_{TERM} = 100\ \Omega$ between Q and Q# pairs [3, 7]	250	470	mV
$\Delta V_{OCM}$	Change in $V_{OCM}$ between complementary output states	$V_{DD} = 3.3\text{ V}$ or $2.5\text{ V}$ , $R_{TERM} = 100\ \Omega$ between Q and Q# pairs [3, 7]	–	50	mV
$V_{BB}$	Output reference voltage	0 to $150\ \mu\text{A}$ output current	1.125	1.375	V
$R_P$	Internal pull-up / pull-down resistance, LVCMOS logic input	IN_SEL pin has pull-down only	60	140	$\text{k}\Omega$
$C_{IN}$	Input capacitance	Measured at 10 MHz per pin	–	3	pF

## Thermal Resistance

Parameter [8]	Description	Test Conditions	32-pin TQFP	Unit
$\theta_{JA}$	Thermal resistance (junction to ambient)	Test conditions follow standard test methods and procedures for measuring thermal impedance, in accordance with EIA/JESD51.	69	$^\circ\text{C}/\text{W}$
$\theta_{JC}$	Thermal resistance (junction to case)		14	$^\circ\text{C}/\text{W}$

### Notes

- Refer to [Figure 2 on page 7](#).
- $I_{DD}$  includes current that is dissipated externally in the output termination resistors.
- $V_{ID}$  minimum of 400 mV is required to meet all output AC Electrical Specifications. The device is functional with  $V_{ID}$  minimum of greater than 200 mV.
- Positive current flows into the input pin, negative current flows out of the input pin.
- Refer to [Figure 4 on page 7](#).
- These parameters are guaranteed by design and are not tested.

## AC Electrical Specifications

( $V_{DD} = 3.3\text{ V} \pm 5\%$  or  $2.5\text{ V} \pm 5\%$ ;  $T_A = 0\text{ }^\circ\text{C}$  to  $70\text{ }^\circ\text{C}$  (Commercial) or  $-40\text{ }^\circ\text{C}$  to  $85\text{ }^\circ\text{C}$  (Industrial))

Parameter	Description	Condition	Min	Typ	Max	Unit
$F_{IN}$	Input frequency	Differential input	DC	–	1.5	GHz
		Single-ended CMOS input <sup>[9]</sup>	DC	–	250	MHz
$F_{OUT}$	Output frequency	$F_{OUT} = F_{IN}$ , differential input	DC	–	1.5	GHz
		$F_{OUT} = F_{IN}$ , single-ended CMOS input <sup>[9]</sup>	DC	–	250	MHz
$t_{PD}$ <sup>[10]</sup>	Propagation delay input pair to output pair	Input rise/fall time < 1.5 ns (20% to 80%)	–	–	600	ps
$t_{ODC}$ <sup>[11]</sup>	Output duty cycle	50% duty cycle at input Frequency range up to 1 GHz, differential input	48	–	52	%
		50% duty cycle at input Frequency range up to 250 MHz, Single-ended CMOS input <sup>[9]</sup>	45	–	55	%
$t_{SK1}$ <sup>[12]</sup>	Output-to-output skew	Any output to any output, with same load conditions at DUT	–	–	40	ps
$t_{SK1D}$ <sup>[12]</sup>	Device-to-device output skew	Any output to any output between two or more devices. Devices must have the same input and have the same output load.	–	–	150	ps
$PN_{ADD}$	Additive RMS phase noise 156.25-MHz input Rise/fall time < 150 ps (20% to 80%) $V_{ID} > 400\text{ mV}$	Offset = 1 kHz	–	–	–120	dBc/Hz
		Offset = 10 kHz	–	–	–135	dBc/Hz
		Offset = 100 kHz	–	–	–135	dBc/Hz
		Offset = 1 MHz	–	–	–150	dBc/Hz
		Offset = 10 MHz	–	–	–154	dBc/Hz
$t_{JIT}$ <sup>[13]</sup>	Additive RMS phase jitter (Random)	156.25 MHz, 12 kHz to 20 MHz offset; input rise/fall time < 150 ps (20% to 80%), $V_{ID} > 400\text{ mV}$	–	–	0.11	ps
			–	–	–	–
$t_R, t_F$ <sup>[14]</sup>	Output rise/fall time, single-ended	50% duty cycle at input, 20% to 80% of full swing ( $V_{OL}$ to $V_{OH}$ ) Input rise/fall time < 1.5 ns (20% to 80%) Measured at 1 GHz	–	–	300	ps

### Notes

9. Refer to Figure 10 on page 9.
10. Refer to Figure 5 on page 7.
11. Refer to Figure 6 on page 7.
12. Refer to Figure 7 on page 8.
13. Refer to Figure 8 on page 8.
14. Refer to Figure 9 on page 8.

Figure 2. LVDS Output Termination

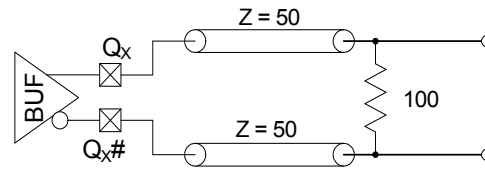


Figure 3. Input Differential and Common Mode Voltages

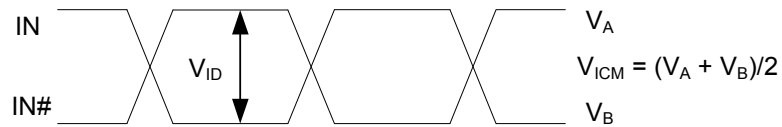


Figure 4. Output Differential and Common Mode Voltages

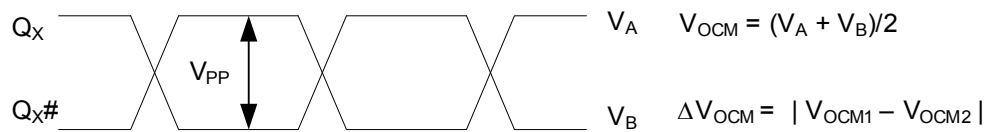


Figure 5. Input to Any Output Pair Propagation Delay

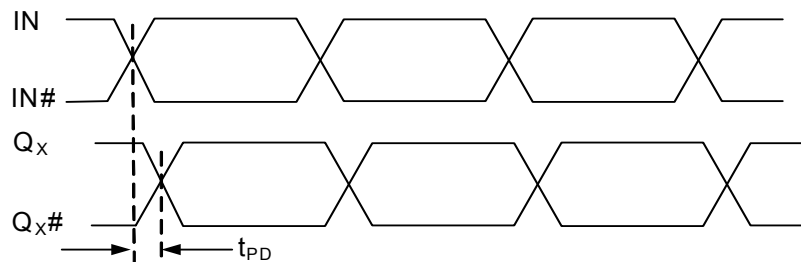


Figure 6. Output Duty Cycle

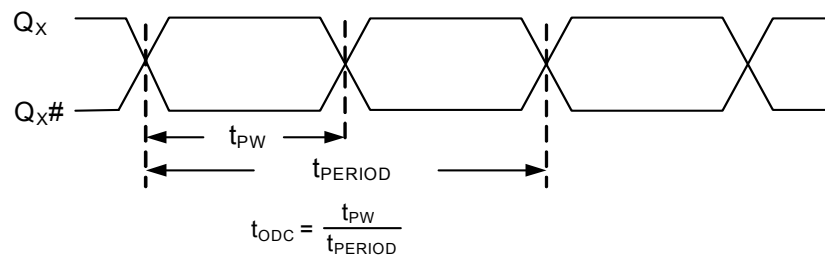




Figure 7. Output-to-output and Device-to-device Skew

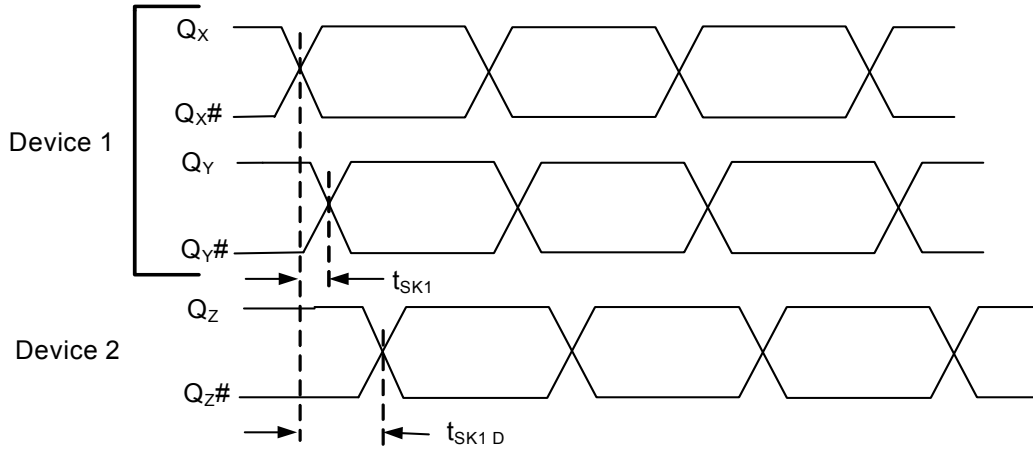


Figure 8. RMS Phase Jitter

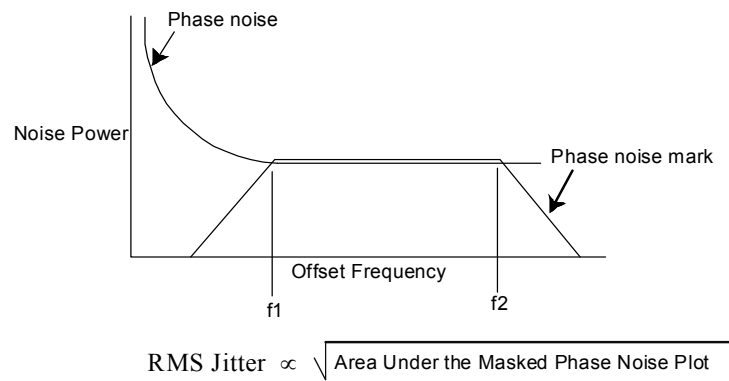
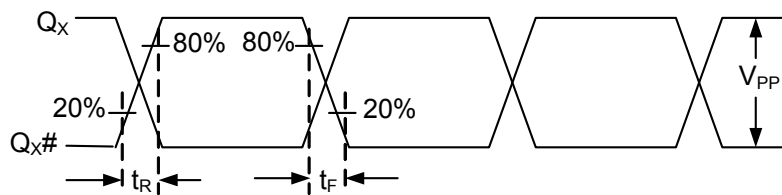


Figure 9. Output Rise/Fall Time



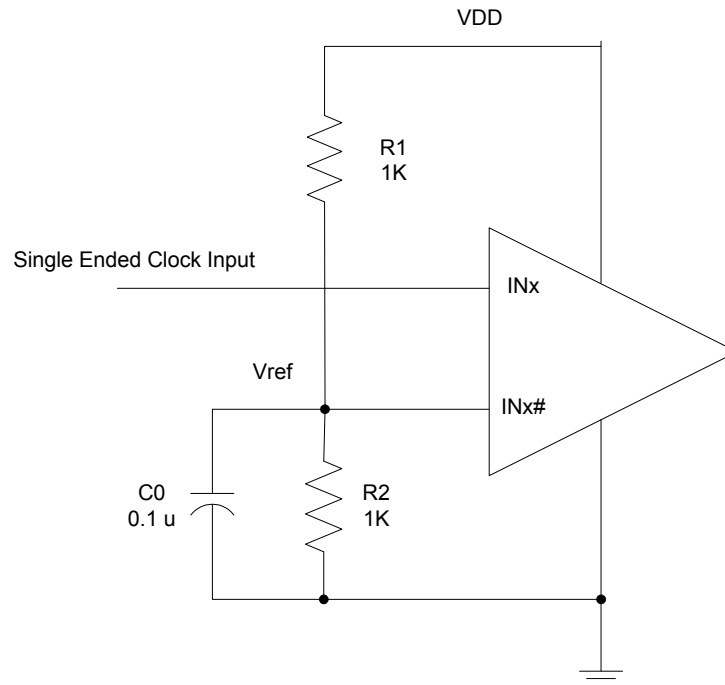
## Application Information

CY2DL15110 can be used with a single-ended CMOS input by biasing the Complementary Input Clock (INx#). “True” input pins (INx) of differential input pair can be fed with a single-ended CMOS input signal. The “complementary” input pin (INx#) of the same differential input pair can be biased with VREF.

Figure 10 shows the schematic which can be used to give single-ended CMOS input to the CY2DL15110.

The reference voltage  $V_{REF} = V_{DD}/2$ , is generated by the bias resistors R1, R2 and capacitor C0. This bias circuit should be located as close as possible to the input pin. The ratio of R1 and R2 might need to be adjusted to position the VREF in the center of the input voltage swing. For example, if the input clock swing is 2.5 V and  $V_{DD} = 3.3$  V,  $V_{REF}$  should be 1.25 V and  $R2/R1 = 0.609$ .

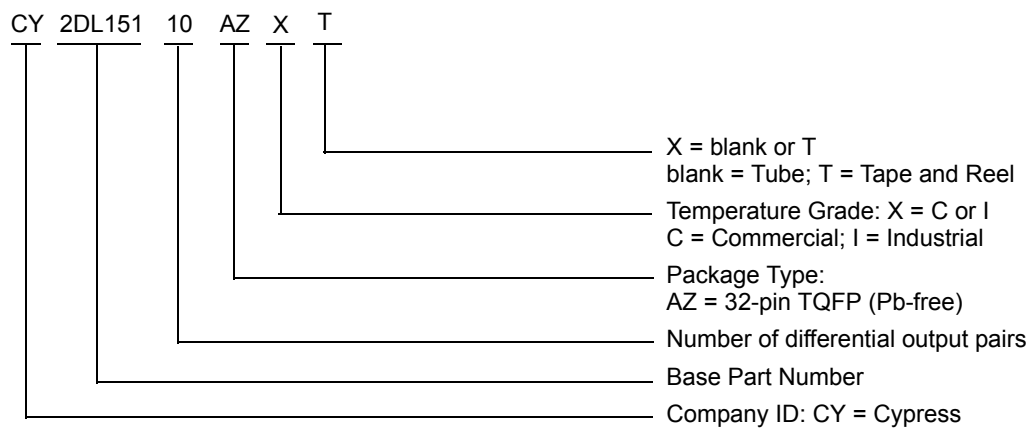
**Figure 10. Application Example**



**Ordering Information**

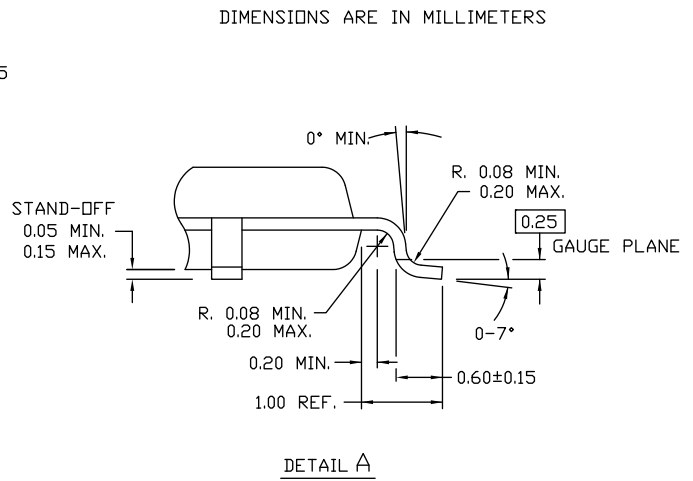
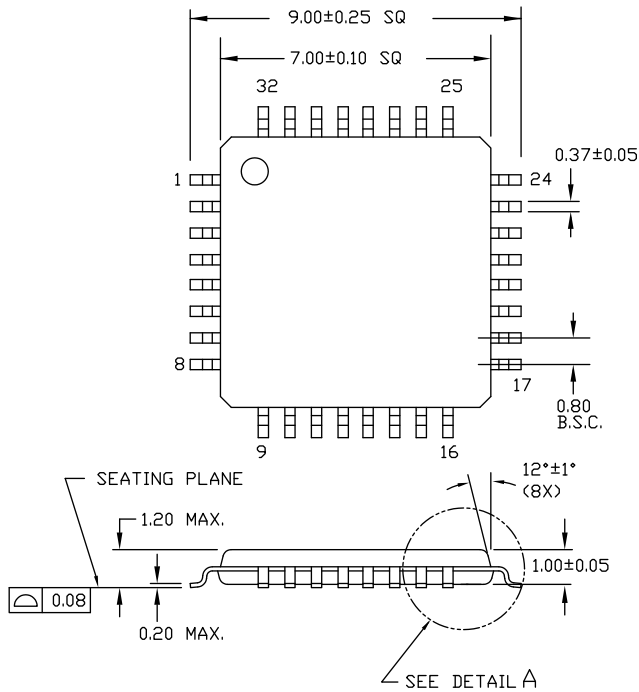
Part Number	Type	Production Flow
<b>Pb-free</b>		
CY2DL15110AZC	32-pin TQFP	Commercial, 0 °C to 70 °C
CY2DL15110AZCT	32-pin TQFP tape and reel	Commercial, 0 °C to 70 °C
CY2DL15110AZI	32-pin TQFP	Industrial, -40 °C to 85 °C
CY2DL15110AZIT	32-pin TQFP tape and reel	Industrial, -40 °C to 85 °C

**Ordering Code Definitions**



Package Diagram

Figure 11. 32-pin TQFP (7 × 7 × 1.0 mm) A3210 Package Outline, 51-85063



51-85063 \*E

## Acronyms

Acronym	Description
ESD	electrostatic discharge
HBM	human body model
I/O	input/output
JEDEC	joint electron devices engineering council
LVDS	low-voltage differential signal
LVC MOS	low-voltage complementary metal oxide semiconductor
LV TTL	low-voltage transistor-transistor logic
RMS	root mean square
TQFP	thin quad flat pack

## Document Conventions

### Units of Measure

Symbol	Unit of Measure
°C	degree Celsius
dBc	decibels relative to the carrier
GHz	gigahertz
Hz	hertz
I/O	input/output
kHz	kilohertz
kΩ	kilohm
μA	microampere
mA	milliampere
mm	millimeter
ms	millisecond
mV	millivolt
MHz	megahertz
ns	nanosecond
Ω	ohm
%	percent
pF	picofarad
ps	picosecond
V	volt
W	watt

## Document History Page

Document Title: CY2DL15110, 1:10 Differential LVDS Fanout Buffer with Selectable Clock Input				
Document Number: 001-69398				
Revision	ECN	Orig. of Change	Submission Date	Description of Change
**	3269680	CXQ	06/02/2011	New data sheet.
*A	3292902	CXQ	06/27/2011	Minor edits in <a href="#">Logic Block Diagram</a> (changed the OE resistor value from 100k to R <sub>P</sub> ). Minor edits in <a href="#">Figure 2</a> and <a href="#">Figure 4</a> (Replaced “Q” and “Q#” with “Q <sub>X</sub> ” and “Q <sub>X</sub> #”). Deleted the Notes “Refer to <a href="#">Figure 2.</a> ” and “Refer to <a href="#">Figure 4.</a> ” in page 7 and their references in <a href="#">Figure 2</a> and <a href="#">Figure 4</a> .
*B	3357978	BASH	09/07/2011	Updated <a href="#">Operating Conditions</a> (Added a parameter t <sub>STARTUP</sub> and its details). Updated <a href="#">Package Diagram</a> .
*C	3548521	BASH	03/12/2012	Changed status from Advance to Final. Post to external web.
*D	3979416	PURU	04/23/2013	Updated <a href="#">Logic Block Diagram</a> (Removed OE related information). Updated <a href="#">Pinouts</a> (Removed OE related information). Updated <a href="#">Pin Definitions</a> (Replaced OE with NC/GND in “Pin Name” column and also updated description accordingly). Updated <a href="#">DC Electrical Specifications</a> (Removed OE related information, removed I <sub>OZ</sub> parameter and its details).
*E	4592452	XHT	12/10/2014	Updated <a href="#">Features</a> . Updated <a href="#">Functional Description</a> : Modified input from LVDS to LVPECL, LVDS, HCSSL, or CML. Added “For a complete list of related documentation, <a href="#">click here.</a> ” at the end. Updated <a href="#">Pin Definitions</a> . Added <a href="#">Application Information</a> . Added <a href="#">Figure 10</a> . Added Junction temperature 135 °C and Thermal resistance 69 °C/W, in <a href="#">Absolute Maximum Ratings</a> . Updated <a href="#">AC Electrical Specifications</a> . Added output F <sub>IN</sub> , F <sub>OUT</sub> , and t <sub>ODC</sub> spec for Single-ended CMOS input.
*F	5275944	PSR	06/02/2016	Updated <a href="#">Absolute Maximum Ratings</a> : Removed θ <sub>JA</sub> parameter and its details. Added <a href="#">Thermal Resistance</a> . Updated <a href="#">Package Diagram</a> : spec 51-85063 – Changed revision from *D to *E. Updated to new template. Completing Sunset Review.



## Sales, Solutions, and Legal Information

### Worldwide Sales and Design Support

Cypress maintains a worldwide network of offices, solution centers, manufacturer's representatives, and distributors. To find the office closest to you, visit us at [Cypress Locations](#).

#### Products

ARM® Cortex® Microcontrollers	<a href="http://cypress.com/arm">cypress.com/arm</a>
Automotive	<a href="http://cypress.com/automotive">cypress.com/automotive</a>
Clocks & Buffers	<a href="http://cypress.com/clocks">cypress.com/clocks</a>
Interface	<a href="http://cypress.com/interface">cypress.com/interface</a>
Lighting & Power Control	<a href="http://cypress.com/powerpsoc">cypress.com/powerpsoc</a>
Memory	<a href="http://cypress.com/memory">cypress.com/memory</a>
PSoC	<a href="http://cypress.com/psoc">cypress.com/psoc</a>
Touch Sensing	<a href="http://cypress.com/touch">cypress.com/touch</a>
USB Controllers	<a href="http://cypress.com/usb">cypress.com/usb</a>
Wireless/RF	<a href="http://cypress.com/wireless">cypress.com/wireless</a>

#### PSoC® Solutions

[PSoC 1](#) | [PSoC 3](#) | [PSoC 4](#) | [PSoC 5LP](#)

#### Cypress Developer Community

[Forums](#) | [Projects](#) | [Video](#) | [Blogs](#) | [Training](#) | [Components](#)

#### Technical Support

[cypress.com/support](http://cypress.com/support)

---

© Cypress Semiconductor Corporation, 2011-2016. This document is the property of Cypress Semiconductor Corporation and its subsidiaries, including Spansion LLC ("Cypress"). This document, including any software or firmware included or referenced in this document ("Software"), is owned by Cypress under the intellectual property laws and treaties of the United States and other countries worldwide. Cypress reserves all rights under such laws and treaties and does not, except as specifically stated in this paragraph, grant any license under its patents, copyrights, trademarks, or other intellectual property rights. If the Software is not accompanied by a license agreement and you do not otherwise have a written agreement with Cypress governing the use of the Software, then Cypress hereby grants you a personal, non-exclusive, nontransferable license (without the right to sublicense) (1) under its copyright rights in the Software (a) for Software provided in source code form, to modify and reproduce the Software solely for use with Cypress hardware products, only internally within your organization, and (b) to distribute the Software in binary code form externally to end users (either directly or indirectly through resellers and distributors), solely for use on Cypress hardware product units, and (2) under those claims of Cypress's patents that are infringed by the Software (as provided by Cypress, unmodified) to make, use, distribute, and import the Software solely for use with Cypress hardware products. Any other use, reproduction, modification, translation, or compilation of the Software is prohibited.

TO THE EXTENT PERMITTED BY APPLICABLE LAW, CYPRESS MAKES NO WARRANTY OF ANY KIND, EXPRESS OR IMPLIED, WITH REGARD TO THIS DOCUMENT OR ANY SOFTWARE OR ACCOMPANYING HARDWARE, INCLUDING, BUT NOT LIMITED TO, THE IMPLIED WARRANTIES OF MERCHANTABILITY AND FITNESS FOR A PARTICULAR PURPOSE. To the extent permitted by applicable law, Cypress reserves the right to make changes to this document without further notice. Cypress does not assume any liability arising out of the application or use of any product or circuit described in this document. Any information provided in this document, including any sample design information or programming code, is provided only for reference purposes. It is the responsibility of the user of this document to properly design, program, and test the functionality and safety of any application made of this information and any resulting product. Cypress products are not designed, intended, or authorized for use as critical components in systems designed or intended for the operation of weapons, weapons systems, nuclear installations, life-support devices or systems, other medical devices or systems (including resuscitation equipment and surgical implants), pollution control or hazardous substances management, or other uses where the failure of the device or system could cause personal injury, death, or property damage ("Unintended Uses"). A critical component is any component of a device or system whose failure to perform can be reasonably expected to cause the failure of the device or system, or to affect its safety or effectiveness. Cypress is not liable, in whole or in part, and you shall and hereby do release Cypress from any claim, damage, or other liability arising from or related to all Unintended Uses of Cypress products. You shall indemnify and hold Cypress harmless from and against all claims, costs, damages, and other liabilities, including claims for personal injury or death, arising from or related to any Unintended Uses of Cypress products.

Cypress, the Cypress logo, Spansion, the Spansion logo, and combinations thereof, PSoC, CapSense, EZ-USB, F-RAM, and Traveo are trademarks or registered trademarks of Cypress in the United States and other countries. For a more complete list of Cypress trademarks, visit [cypress.com](http://cypress.com). Other names and brands may be claimed as property of their respective owners.