



Chipsmall Limited consists of a professional team with an average of over 10 year of expertise in the distribution of electronic components. Based in Hongkong, we have already established firm and mutual-benefit business relationships with customers from,Europe,America and south Asia,supplying obsolete and hard-to-find components to meet their specific needs.

With the principle of “Quality Parts,Customers Priority,Honest Operation,and Considerate Service”,our business mainly focus on the distribution of electronic components. Line cards we deal with include Microchip,ALPS,ROHM,Xilinx,Pulse,ON,Everlight and Freescale. Main products comprise IC,Modules,Potentiometer,IC Socket,Relay,Connector.Our parts cover such applications as commercial,industrial, and automotives areas.

We are looking forward to setting up business relationship with you and hope to provide you with the best service and solution. Let us make a better world for our industry!



## Contact us

Tel: +86-755-8981 8866 Fax: +86-755-8427 6832

Email & Skype: info@chipsmall.com Web: www.chipsmall.com

Address: A1208, Overseas Decoration Building, #122 Zhenhua RD., Futian, Shenzhen, China



# 1:4 Clock Fanout Buffer

## Features

- Low-voltage operation
- $V_{DD} = 3.3V$
- 1:4 Fanout
- Single-input configurable for
  - LVDS, LVPECL, or LVTTTL
  - Four differential pairs of LVDS outputs
- Drives 50- or 100-ohm load (selectable)
- Low input capacitance
- 85 ps typical output-to-output skew
- <4 ns typical propagation delay
- Does not exceed Bellcore 802.3 standards
- Operation at  $\Rightarrow$  350 MHz – 700 Mbps
- Industrial versions available
- Packages available include TSSOP/SOIC

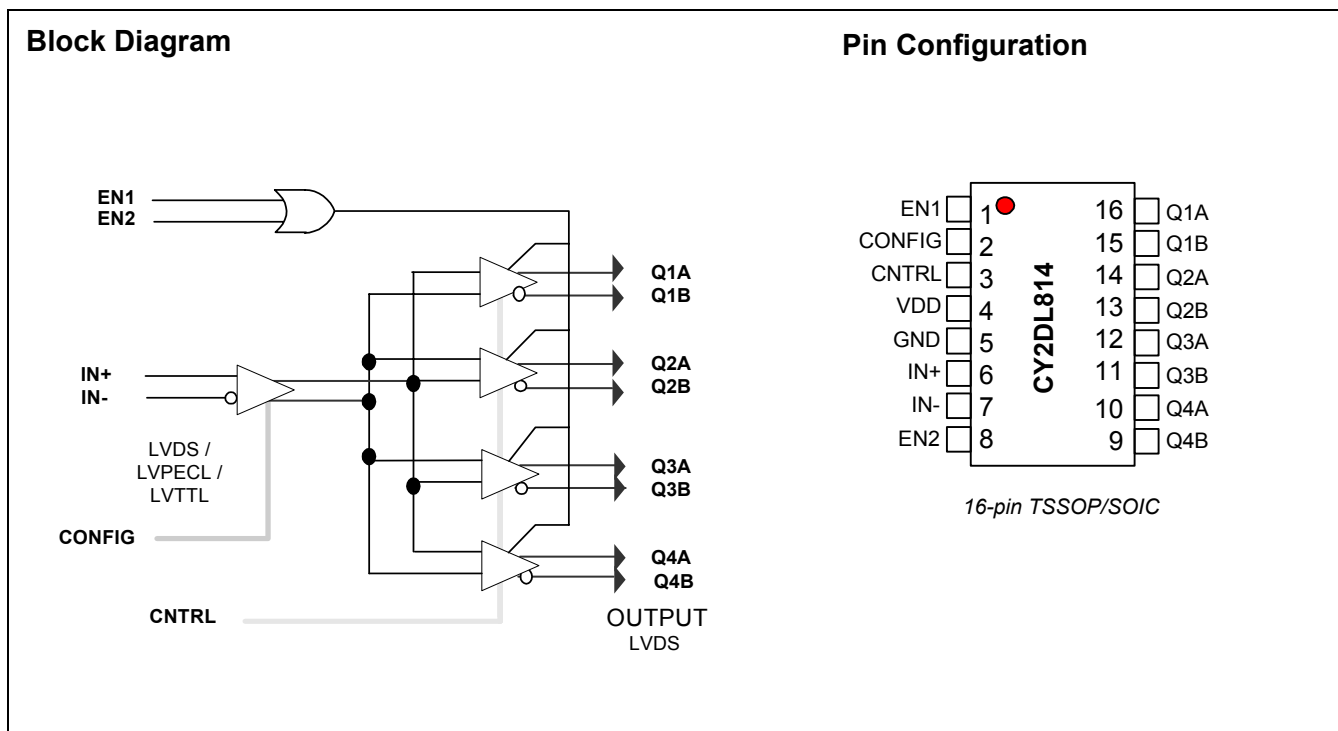
## Description

The Cypress CY2 series of network circuits is produced using advanced 0.35-micron CMOS technology, achieving the industry's fastest logic.

The Cypress CY2DL814 fanout buffer features a single LVDS-, LVPECL-, or LVTTTL-compatible input and four LVDS output pairs.

Designed for data-communication clock management applications, the fanout from a single input reduces loading on the input clock.

The CY2DL814 is ideal for both level translations from single ended to LVDS and/or for the distribution of LVDS-based clock signals. The Cypress CY2DL814 has configurable input and output functions. The input can be selectable for LVPECL/LVTTTL or LVDS signals while the output driver's support standard and high drive LVDS. Drive either a 50-ohm or 100-ohm line with a single part number/device.



**Pin Description**

Pin Number	Pin Name	Pin Standard Interface	Description
6,7	IN+, IN-	Configurable	Differential input pair or single line. LVPECL default. See config below.
3	CNTRL	LVTTL/LVCMOS	Converts into a High drive driver from a standard LVDS. Standard drive (logic = 0) B/High drive/Bus (logic = 1)
2	CONFIG	LVTTL/LVCMOS	Converts inputs (IN <sup>+</sup> /IN <sup>-</sup> ), (EN, EN#) from the default LVPECL/LVDS (logic = 0) To LVTTL/LVCMOS (logic = 1)
1,8	EN1, EN2	LVTTL/LVCMOS	Enable/disable logic. See <i>Table 1</i> below for details.
16,15,14,13 12,11,10,9	Q1A, Q1B, Q2A, Q2B, Q3A, Q3B, Q4A, Q4B	LDVS	Differential outputs.
4	V <sub>DD</sub>	POWER	Positive supply voltage
5	G <sub>ND</sub>	POWER	Ground

**Maximum Ratings<sup>[1, 2]</sup>**

Storage Temperature: .....	-65°C to + 150°C	(Outputs only) .....	-0.3V to V <sub>DD</sub> + 0.3V
Ambient Temperature:.....	-40°C to +85°C	DC Input Voltage .....	-0.3V to V <sub>DD</sub> + 0.3V
Supply Voltage to Ground Potential (Inputs and V <sub>CC</sub> only).....	-0.3V to 4.6V	DC Output Voltage.....	-0.3V to V <sub>DD</sub> + 0.9V
Supply Voltage to Ground Potential		Power Dissipation.....	0.75W

**Table 1. EN1 EN2 Function Table—Differential Input Mode**

Enable Logic		Input		Outputs	
EN1	EN2	IN+	IN-	QnA	QnB
H	X	H	L	H	L
H	X	L	H	L	H
X	L	H	L	H	L
X	L	L	H	L	H
L	H	X	X	Z	Z

**Table 2. Output Drive Control for Standard and Bus/B/High Drive B**

CNTRL Pin 3 Binary Value	Drive STD	Impedance	Output Voltage Value
0	Standard	100 ohm	V <sub>0</sub> = V <sub>output</sub>
		50 ohm	V = 1/2 * V <sub>0</sub>
1	High Drive/Bus/B	100 ohm	V = 2 * V <sub>0</sub>
		50 ohm	V = V <sub>0</sub>

**Notes:**

- Stresses greater than those listed under absolute maximum ratings may cause permanent damage to the device. This is intended to be a stress rating only and functional operation of the device at these or any other conditions above those indicated in the operation sections of this specification is not implied. Exposure to absolute maximum rating conditions for extended periods may affect reliability.
- Multiple Supplies: The voltage on any input or I/O pin cannot exceed the power pin during power-up. Power supply sequencing is NOT required.

**Table 3. Input Receiver Configuration for Differential or LVTTTL/LVCMOS**

CONFIG Pin 2 Binary Value	Input Receiver Family	Input Receiver Type
1	LVTTTL in LVCMOS	Single-ended, Non-inverting, Inverting, Void of Bias Resistors
0	LVDS	Low-voltage Differential Signaling
	LVPECL	Low-voltage Pseudo (Positive) Emitter Coupled Logic

**Table 4. Function Control of the TTL Input Logic Used to Accept or Invert the Input Signal**

LVTTTL/LVCMOS Input Logic			
Input Condition		Input Logic	Output Logic Q Pins, Q1A or Q1
Ground	IN- Pin 7		
	IN+ Pin 6	Input	True
V <sub>CC</sub>	IN- Pin 7		
	IN+ Pin 6	Input	Invert
Ground	IN+ Pin 6		
	IN- Pin 7	Input	True
V <sub>CC</sub>	IN+ Pin 6		
	IN- Pin 7	Input	Invert

**Table 5. Power Supply Characteristics**

Parameter	Description	Test Conditions	Min.	Typ.	Max.	Unit
I <sub>CCD</sub>	Dynamic Power Supply Current	V <sub>DD</sub> = Max. Input toggling 50% Duty Cycle, Outputs Open		1.5	2.0	mA/MHz
I <sub>C</sub>	Total Power Supply Current	V <sub>DD</sub> = Max. Input toggling 50% Duty Cycle, Outputs Open f <sub>L</sub> =100 MHz		90	100	mA

**Table 6. D.C Electrical Characteristics: 3.3V–LVDS Input**

Parameter	Description	Conditions		Min.	Typ.	Max.	Unit
V <sub>ID</sub>	Magnitude of Differential Input Voltage			100		600	mV
V <sub>IC</sub>	Common-mode of Differential Input Voltage I <sub>V<sub>ID</sub>I</sub> (min. and max.)			I <sub>V<sub>ID</sub>I</sub> /2	2.4–(I <sub>V<sub>ID</sub>I</sub> /2)		V
V <sub>IH</sub>	Input High Voltage	Guaranteed Logic High Level	Config/Cntrl Pins	2			V
V <sub>IL</sub>	Input Low Voltage	Guaranteed Logic Low Level				0.8	V
I <sub>IH</sub>	Input High Current	V <sub>DD</sub> = Max.	V <sub>IN</sub> = V <sub>DD</sub>		±10	±20	μA
I <sub>IL</sub>	Input Low Current	V <sub>DD</sub> = Max.	V <sub>IN</sub> = V <sub>SS</sub>		±10	±20	μA
I <sub>I</sub>	Input High Current	V <sub>DD</sub> = Max., V <sub>IN</sub> = V <sub>DD</sub> (max.)				±20	μA

**Table 7. D.C Electrical Characteristics: 3.3V–LVPECL Input**

Parameter	Description	Conditions		Min.	Typ.	Max.	Unit
V <sub>ID</sub>	Differential Input Voltage p-p	Guaranteed Logic High Level		400		2600	mV
V <sub>CM</sub>	Common-mode Voltage			1.65		2.25	V
I <sub>IH</sub>	Input High Current	V <sub>DD</sub> = Max.	V <sub>IN</sub> = V <sub>DD</sub>		±10	±20	μA
I <sub>IL</sub>	Input Low Current	V <sub>DD</sub> = Max.	V <sub>IN</sub> = V <sub>SS</sub>		±10	±20	μA
I <sub>I</sub>	Input High Current	V <sub>DD</sub> = Max., V <sub>IN</sub> = V <sub>DD</sub> (Max.)				±20	μA

**Table 8. D.C Electrical Characteristics: 3.3V–LVTTTL/LVCMOS Input**

Parameter	Description	Conditions		Min.	Typ.	Max.	Unit
V <sub>IH</sub>	Input High Voltage	Guaranteed Logic High Level		2			V
V <sub>IL</sub>	Input Low Voltage	Guaranteed Logic Low Level				0.8	V
I <sub>IH</sub>	Input High Current	V <sub>DD</sub> = Max.	V <sub>IN</sub> = 2.7V			1	μA
I <sub>IL</sub>	Input Low Current	V <sub>DD</sub> = Max.	V <sub>IN</sub> = 0.5V			-1	μA
I <sub>I</sub>	Input High Current	V <sub>DD</sub> = Max., V <sub>IN</sub> = V <sub>DD</sub> (Max.)				20	μA
V <sub>IK</sub>	Clamp Diode Voltage	V <sub>DD</sub> = Min., I <sub>IN</sub> = -18 mA			-0.7	-1.2	V
V <sub>H</sub>	Input Hysteresis				80		mV

**Table 9. D.C Electrical Characteristics: 3.3V–LVDS OUTPUT**

Parameter	Description	Conditions		Min.	Typ.	Max.	Unit
I <sub>VOD</sub>	Differential output voltage p-p	V <sub>DD</sub> = 3.3V, V <sub>IN</sub> = V <sub>IH</sub> or V <sub>IL</sub>	RL = 100 ohm	0.25	-	0.45	V
VOC(SS)	Steady-state common-mode output voltage			-	-	226	mV
Delta VOC(SS)	Change in VOC(SS) between logic states			-50	3	50	mV
VOC(PP)	Peak to peak common mode output voltage			-	-	150	mV
I <sub>OS</sub>	Output short circuit	QA = 0V or QB = 0V		-	-	-20	mA
V <sub>oh</sub>	Output voltage high	RL = 100 ohm		-	-	1475	mV
V <sub>ol</sub>	Output voltage low			925	-	-	mV

**Table 10.AC Parameters**

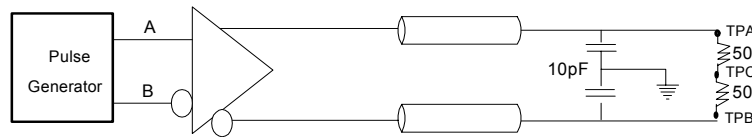
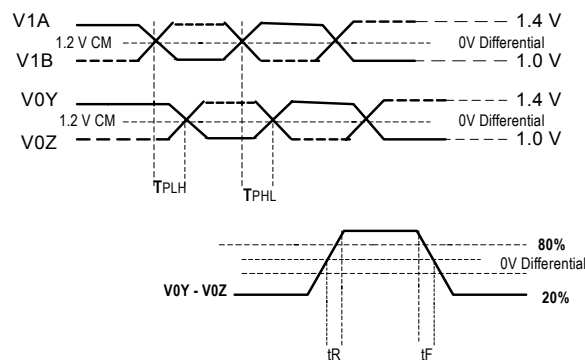
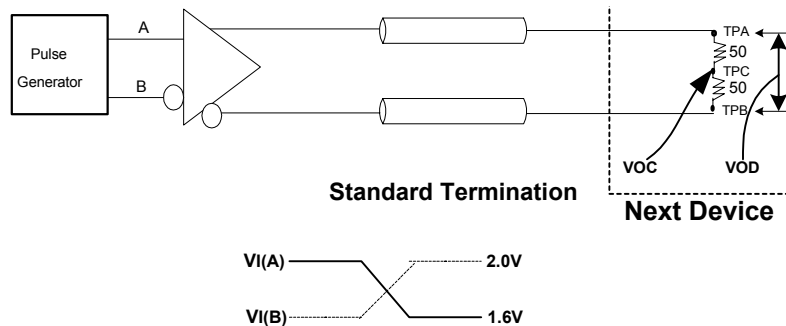
Parameter	Description	Conditions		Min.	Typ.	Max.	Unit
Rise Time	Pin control (pin 3) logic is "FALSE" defaulting to 100 ohm output drivers. Differential 20% to 80%	CL=10 pF RL and CL to GND 3 CL = C <sub>intrinsic</sub> and C <sub>external</sub>	RL = 100 ohm	-	-	1.4	ns
Fall Time				-	-	1.4	ns
Rise Time	Pin control (pin 3) logic is "True" defaulting to 50 ohm output drivers. Differential 20% to 80%	CL=10 pF RL and CL to GND 3 CL = C <sub>intrinsic</sub> and C <sub>external</sub>	RL = 50 ohm Output boost	-	350	600	ps
Fall Time				-	350	600	ps

**Table 11.AC Switching Characteristics @ 3.3 V (V<sub>DD</sub> = 3.3V ±5%, Temperature = -40°C to +85°C)**

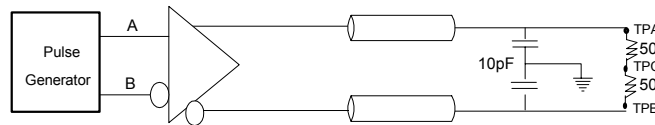
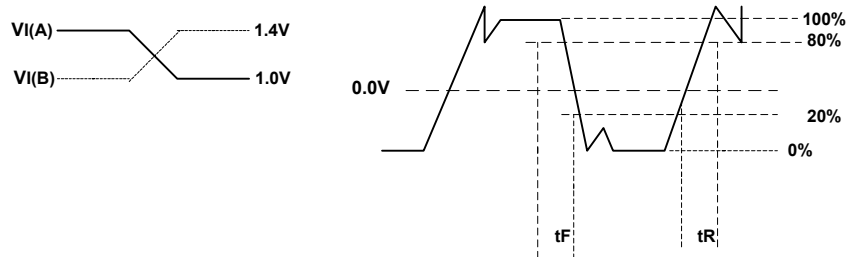
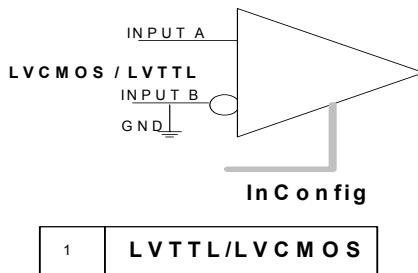
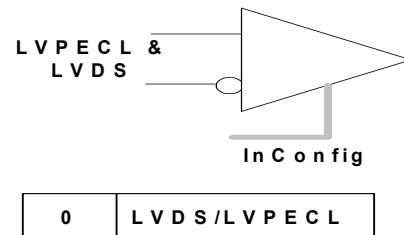
Parameter	Description	Conditions	Min.	Typ.	Max.	Unit
<b>IN [+,-] to Q[A,B] Data and Clock Speed</b>						
t <sub>PLH</sub>	Propagation Delay – Low to High	V <sub>OD</sub> = 100 mV	3	4	5	ns
t <sub>PHL</sub>	Propagation Delay – High to Low		3	4	5	ns
T <sub>pd</sub>	Propagation Delay		3	4	5	ns
<b>IN [1,2] to Q[A,B] Control Speed</b>						
T <sub>Pe</sub>	Enable (EN) to functional operation		-	-	6	ns
T <sub>pd</sub>	Functional operation to Disable		-	-	5	ns
<b>Q[A,B] Output Skews</b>						
t <sub>SK(0)</sub>	Output Skew: Skew between outputs of the same package (in phase)		-	0.085	0.2	ns
t <sub>SK(p)</sub>	Pulse Skew: Skew between opposite transitions of the same output (t <sub>PHL</sub> -t <sub>PLH</sub> )		-	0.2	-	ns
t <sub>SK(t)</sub>	Package Skew: Skew between outputs of different packages at the same power supply voltage, temperature and package type. Same input signal level and output load.	V <sub>ID</sub> = 100 mV	-	-	1	ns

**Table 12. High Frequency Parametrics**

Parameter	Description	Conditions	Min.	Typ.	Max.	Unit
Fmax	Maximum frequency $V_{DD} = 3.3V$	50% duty cycle $t_W(50-50)$ Standard Load Circuit.	–	–	400	MHz
Fmax(20)	Maximum frequency $V_{DD} = 3.3V$	20% duty cycle $t_W(50-50)$ LVPECL Input $V_{IN} = V_{IH}(\text{Max.})/V_{IL}(\text{Min.})$ $V_{OUT} = V_{OH}(\text{Min.})/V_{OL}(\text{Max.})$ (Limit)	–	–	200	MHz
TW	Minimum pulse $V_{DD} = 3.3V$	LVPECL Input $V_{IN} = V_{IH}(\text{Max.})/V_{IL}(\text{Min.})$ F= 100 MHz $V_{OUT} = V_{OH}(\text{Min.})/V_{OL}(\text{Max.})$ (Limit)	1	–	–	ns


**Standard Termination**

**Figure 1. Differential Receiver to Driver Propagation Delay and Driver Transition Time**<sup>[3, 4, 5, 6]</sup>

**Figure 2. Test Circuit and Voltage Definitions for the Driver Common-mode Output Voltage**<sup>[3, 4, 5, 6]</sup>
**Notes:**

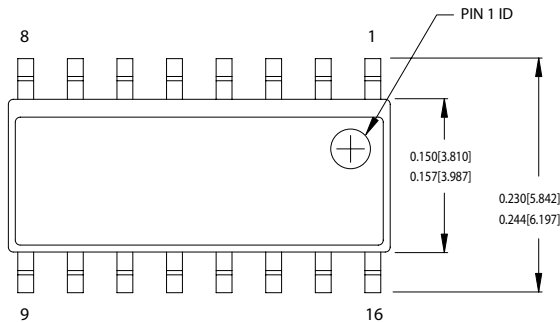
- All input pulses are supplied by a frequency generator with the following characteristics:  $t_R$  and  $t_F \leq 1$  ns; pulse rate = 50 Mpps; pulse width =  $10 \pm 0.2$  ns.
- $R_L = 50 \text{ ohm} \pm 1\%$   $Z_{line} = 50 \text{ ohm}$  6".
- CL includes instrumentation and fixture capacitance within 6 mm of the UT.
- TPA and B are used for prop delay and Rise/Fall measurements. TPC is used for VOC measurements only and is otherwise connected to  $V_{DD-2}$ .


**Standard Termination**

**Figure 3. Test Circuit and Voltage Definitions for the Differential Output Signal<sup>[3, 4, 5, 6]</sup>**

**Figure 4. LVCMOS/LVTTL Single-ended Input Value<sup>[7]</sup>**

**Figure 5. LVPECL or LVDS Differential Input Value<sup>[8]</sup>**
**Ordering Information**

Part Number	Package Type	Product Flow
CY2DL814ZI	16-pin TSSOP	Industrial, -40°C to 85°C
CY2DL814ZIT	16-pin TSSOP–Tape and Reel	Industrial, -40°C to 85°C
CY2DL814SI	16-pin SOIC	Industrial, -40°C to 85°C
CY2DL814SIT	16-pin SOIC–Tape and Reel	Industrial, -40°C to 85°C
CY2DL814ZC	16-pin TSSOP	Commercial, 0°C to 70 °C
CY2DL814ZCT	16-pin TSSOP–Tape and Reel	Commercial, 0°C to 70 °C
CY2DL814SC	16-pin SOIC	Commercial, 0°C to 70 °C
CY2DL814SCT	16-pin SOIC–Tape and Reel	Commercial, 0°C to 70 °C
<b>Lead-free</b>		
CY2DL814ZXI	16-pin TSSOP	Industrial, -40°C to 85°C
CY2DL814ZXIT	16-pin TSSOP–Tape and Reel	Industrial, -40°C to 85°C
CY2DL814SXI	16-pin SOIC	Industrial, -40°C to 85°C
CY2DL814SXIT	16-pin SOIC–Tape and Reel	Industrial, -40°C to 85°C
CY2DL814ZXC	16-pin TSSOP	Commercial, 0°C to 70 °C
CY2DL814ZXCCT	16-pin TSSOP–Tape and Reel	Commercial, 0°C to 70 °C
CY2DL814SXC	16-pin SOIC	Commercial, 0°C to 70 °C
CY2DL814SXCT	16-pin SOIC–Tape and Reel	Commercial, 0°C to 70 °C

**Notes:**

7. LVCMOS/LVTTL single ended input value. Ground either input: when on the B side then non-inversion takes place. If A side is grounded, the signal becomes the complement of the input on B side. See *Table 4*.
8. LVPECL or LVDS differential input value.

**Package Drawing and Dimensions**
**16-Lead (150-Mil) SOIC S16.15**


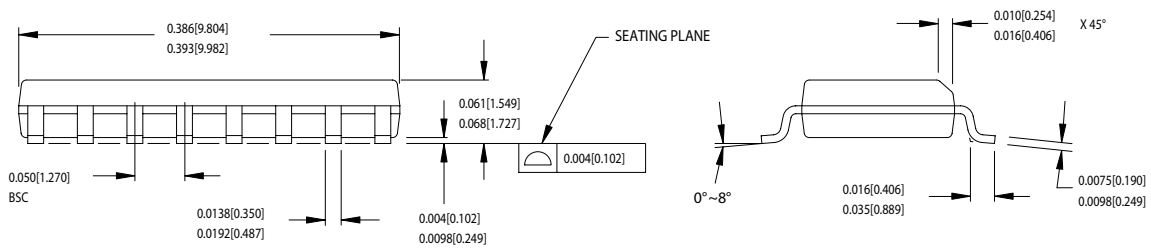
DIMENSIONS IN INCHES[MM] MIN.

MAX.

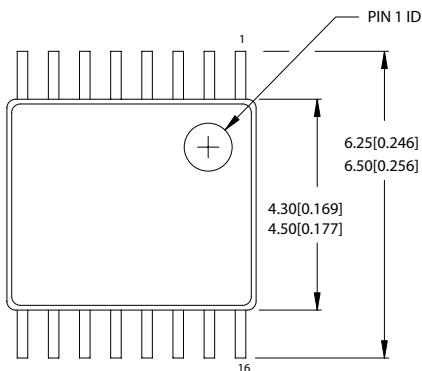
REFERENCE JEDEC MS-012

PACKAGE WEIGHT 0.15gms

PART #	
S16.15	STANDARD PKG.
SZ16.15	LEAD FREE PKG.



51-85068-B

**16-lead TSSOP 4.40 mm Body Z16.173**


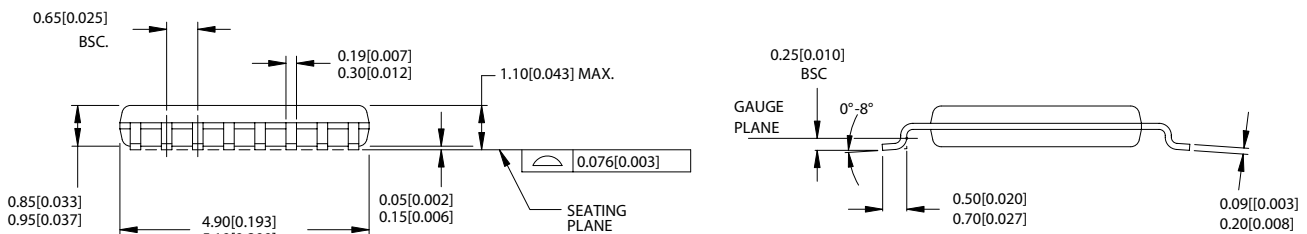
DIMENSIONS IN MM[INCHES] MIN.

MAX.

REFERENCE JEDEC MO-153

PACKAGE WEIGHT 0.05 gms

PART #	
Z16.173	STANDARD PKG.
ZZ16.173	LEAD FREE PKG.



51-85091-A

ComLink is a trademark of Cypress Semiconductor Corporation. All product and company names mentioned in this document are the trademarks of their respective holders.





<b>Document Title: ComLink™ Series CY2DL814 1:4 Clock Fanout Buffer</b> <b>Document Number: 38-07057</b>				
<b>REV.</b>	<b>ECN NO.</b>	<b>Issue Date</b>	<b>Orig. of Change</b>	<b>Description of Change</b>
**	115362	07/10/02	EHX	New Data Sheet
*A	122744	12/14/02	RBI	Added power up requirements to maximum ratings information.
*B	384077	See ECN	RGL	Added Lead-free devices Added typical values