



Chipsmall Limited consists of a professional team with an average of over 10 year of expertise in the distribution of electronic components. Based in Hongkong, we have already established firm and mutual-benefit business relationships with customers from,Europe,America and south Asia,supplying obsolete and hard-to-find components to meet their specific needs.

With the principle of “Quality Parts,Customers Priority,Honest Operation,and Considerate Service”,our business mainly focus on the distribution of electronic components. Line cards we deal with include Microchip,ALPS,ROHM,Xilinx,Pulse,ON,Everlight and Freescale. Main products comprise IC,Modules,Potentiometer,IC Socket,Relay,Connector.Our parts cover such applications as commercial,industrial, and automotives areas.

We are looking forward to setting up business relationship with you and hope to provide you with the best service and solution. Let us make a better world for our industry!



## Contact us

Tel: +86-755-8981 8866 Fax: +86-755-8427 6832

Email & Skype: info@chipsmall.com Web: www.chipsmall.com

Address: A1208, Overseas Decoration Building, #122 Zhenhua RD., Futian, Shenzhen, China

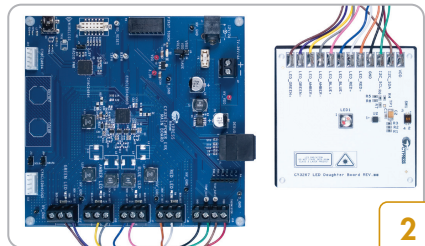


## CY3267 POWERPSOC® LIGHTING



1

- Download and Install the latest kit software and examples from [www.cypress.com/go/CY3267](http://www.cypress.com/go/CY3267)



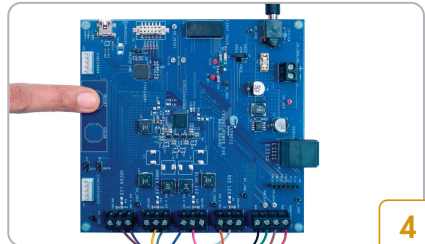
2

- Connect the CY3267 PowerPSOC® board to the LED daughter board; see the user guide for instructions



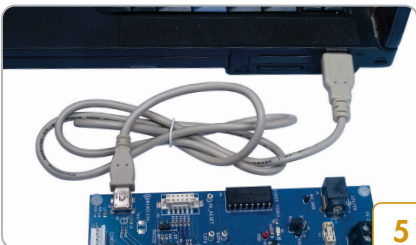
3

- Mount the optical diffuser on the LED daughter board. Connect the power supply to the main board



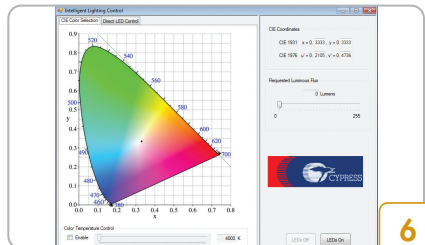
4

- Touch the ON/OFF CapSense® button to toggle the LEDs. Touch the COLOR CapSense button to cycle through colors



5

- Connect the main board to the PC using the USB cable provided with the kit

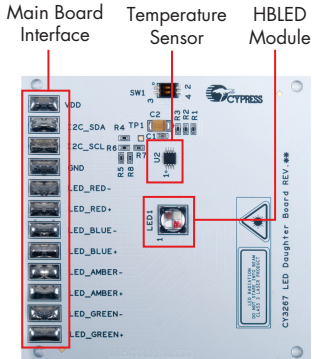
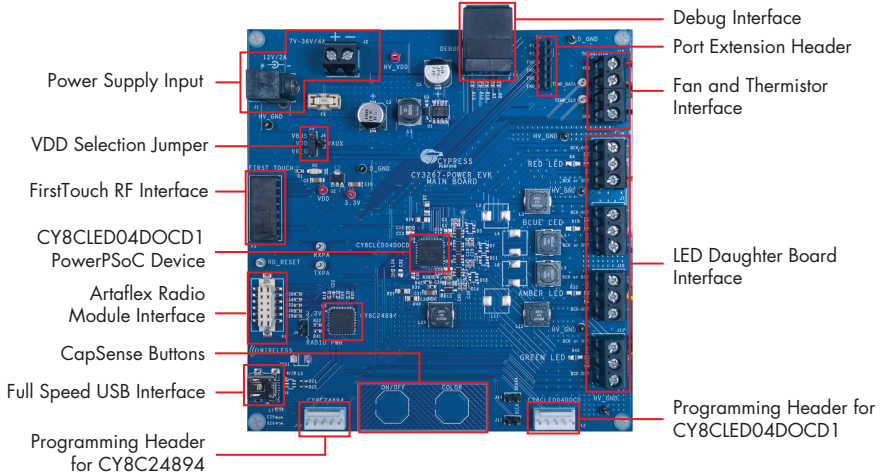


6

- Use the GUI installed on the PC to control LEDs. See the user guide for more information about the GUI

# CY3267 POWERPSoC® LIGHTING

## CY3267 PowerPSoC Lighting Evaluation Kit Details



CHANNEL	BUCK or BOOST TOPOLOGY	BUCK - BOOST TOPOLOGY
<b>RED (J6)</b>	J6 BCK-BST ● ← LED_RED+ (WHITE) ● ← LED_RED- (ORANGE) BCK or BST ● ← LED_RED+ (ORANGE)	J6 BCK-BST ● ← LED_RED+ (ORANGE) ● ← LED_RED+ (WHITE) BCK or BST -
<b>BLUE (J7)</b>	J7 BCK-BST ● ← LED_BLUE+ (PINK) ● ← LED_BLUE (BLUE) BCK or BST ● ← LED_BLUE (BLUE)	J7 BCK-BST ● ← LED_BLUE (BLUE) ● ← LED_BLUE+ (PINK) BCK or BST -
<b>AMBER (J10)</b>	J10 BCK or BST ● ← LED_AMBER+ (GRAY) ● ← LED_AMBER+ (YELLOW) BCK-BST ● ← LED_AMBER+ (YELLOW)	J10 BCK or BST ● ← LED_AMBER+ (YELLOW) ● ← LED_AMBER+ (GRAY) BCK-BST -
<b>GREEN (J11)</b>	J11 BCK or BST ● ← LED_GREEN+ (PURPLE) ● ← LED_GREEN+ (BROWN) BCK-BST ● ← LED_GREEN+ (BROWN)	J11 BCK or BST ● ← LED_GREEN+ (BROWN) ● ← LED_GREEN+ (PURPLE) BCK-BST -

Refer to this image to connect the LED Daughter Card Interface on the main board and the Main Board Interface on the daughter board. Note that the Buck or Boost Topology is required for the onboard firmware to work properly

For the latest information about this kit, visit [www.cypress.com/go/CY3267](http://www.cypress.com/go/CY3267)