



Chipsmall Limited consists of a professional team with an average of over 10 year of expertise in the distribution of electronic components. Based in Hongkong, we have already established firm and mutual-benefit business relationships with customers from,Europe,America and south Asia,supplying obsolete and hard-to-find components to meet their specific needs.

With the principle of “Quality Parts,Customers Priority,Honest Operation,and Considerate Service”,our business mainly focus on the distribution of electronic components. Line cards we deal with include Microchip,ALPS,ROHM,Xilinx,Pulse,ON,Everlight and Freescale. Main products comprise IC,Modules,Potentiometer,IC Socket,Relay,Connector.Our parts cover such applications as commercial,industrial, and automotives areas.

We are looking forward to setting up business relationship with you and hope to provide you with the best service and solution. Let us make a better world for our industry!



## Contact us

Tel: +86-755-8981 8866 Fax: +86-755-8427 6832

Email & Skype: info@chipsmall.com Web: www.chipsmall.com

Address: A1208, Overseas Decoration Building, #122 Zhenhua RD., Futian, Shenzhen, China

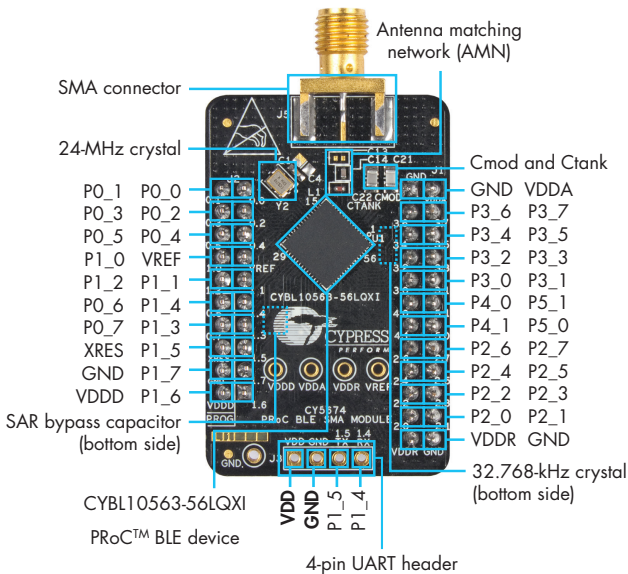


# CY5674 PRoC™ BLE SMA MODULE

CY5674 PRoC™ BLE SMA Module is a complete solution to add BLE connectivity to any embedded system. The module features a PRoC BLE device (CYBL10563), two crystals, a SMA connector, and other passives while providing access to all GPIOs of the device.

Visit [www.cypress.com/ble](http://www.cypress.com/ble) for more information on Cypress's BLE solutions.

PRoC BLE is a single-chip solution with a 48-MHz ARM® Cortex®-M0 CPU, BLE radio, CapSense® technology for touch sensing, 2 Serial Communication Blocks, 12-bit ADC, 4 Timer/Counter/PWMs, 4 additional PWMs, I<sup>2</sup>S and LCD.



**Fig-1: Feature List and Pinout Description for PRoC BLE SMA Module**

Note: To apply power to the module, use the VDD pin (1.9 V - 5.0 V) and GND pin.

# CY5674 PROc™ BLE SMA MODULE

## STANDALONE USE WITH PSoC CREATOR™ IDE AND CY8CKIT-002 MINIPROG3



Pin Mapping	
CY8CKIT-002	CY5674
VTARG	VDD
GND	GND
RES	XRES
SCLK	PO_7
SDAT	PO_6

Fig-2: Programming and Debugging with CY8CKIT-002

## USING THE PROc BLE SMA MODULE WITH THE CY8CKIT-042-BLE PIONEER KIT

**Step 1:** Plug the module on the CY8CKIT-042-BLE Pioneer Kit baseboard.

**Step 2:** Create your design in PSoC Creator IDE and use the BLE Pioneer Kit to program and debug.

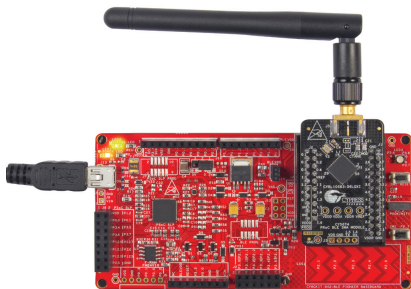


Fig-3: Programming and Debugging with CY8CKIT-042 BLE Pioneer Baseboard

Additional regulatory certification will be required to integrate the module into an end product. Contact [support@cypress.com](mailto:support@cypress.com) for details.

For more information about this kit, visit [www.cypress.com/CY5674](http://www.cypress.com/CY5674)

