



Chipsmall Limited consists of a professional team with an average of over 10 year of expertise in the distribution of electronic components. Based in Hongkong, we have already established firm and mutual-benefit business relationships with customers from,Europe,America and south Asia,supplying obsolete and hard-to-find components to meet their specific needs.

With the principle of “Quality Parts,Customers Priority,Honest Operation,and Considerate Service”,our business mainly focus on the distribution of electronic components. Line cards we deal with include Microchip,ALPS,ROHM,Xilinx,Pulse,ON,Everlight and Freescale. Main products comprise IC,Modules,Potentiometer,IC Socket,Relay,Connector.Our parts cover such applications as commercial,industrial, and automotives areas.

We are looking forward to setting up business relationship with you and hope to provide you with the best service and solution. Let us make a better world for our industry!



## Contact us

Tel: +86-755-8981 8866 Fax: +86-755-8427 6832

Email & Skype: info@chipsmall.com Web: www.chipsmall.com

Address: A1208, Overseas Decoration Building, #122 Zhenhua RD., Futian, Shenzhen, China



# CY5677 CYSMART™ BLE 4.2 USB DONGLE

CY5677 CySmart USB Dongle is a BLE-to-USB bridge that uses Cypress's PROc™ BLE (CYBL11573-56LQXI) and PSoC® 5LP (CY8C5868LTI-LP039) devices. The dongle can be used with Cypress's CySmart™ Host Emulation Tool for Windows® to test and debug BLE devices.

For more information on Cypress's BLE solutions visit [www.cypress.com/BLE](http://www.cypress.com/BLE)

PROc BLE is a single-chip solution with a 48-MHz ARM® Cortex®-M0 CPU, Bluetooth 4.2 radio, CapSense® technology for touch sensing, two serial communication blocks (SCBs), a 12-bit ADC, four Timer/Counter/PWMs, four additional PWMs, I<sup>2</sup>S for digital audio, and segment LCD direct-drive capability.

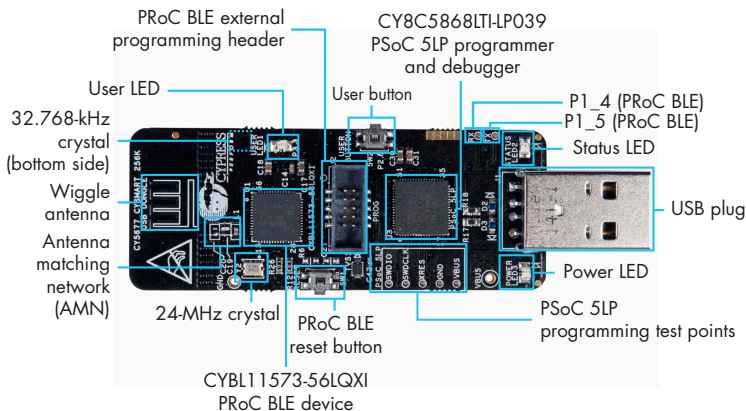
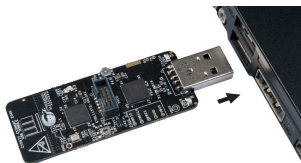


Fig-1: Pinout Description for CY5677

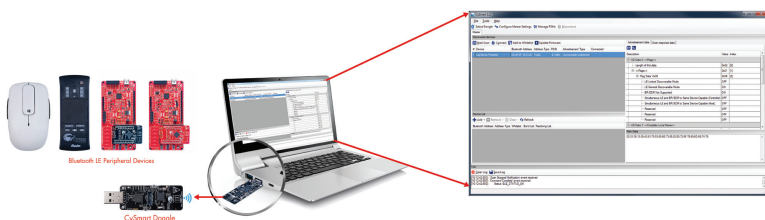
# CY5677 CYSMART™ BLE 4.2 USB DONGLE

**Step 1:** Plug the CySmart USB Dongle into a Windows PC.



**Fig-2: Powering the CySmart USB Dongle**

**Step 2:** Test and debug BLE devices using CySmart.



**Fig-3: CySmart Host Emulation Tool for Windows**

The CySmart USB Dongle is factory-programmed to work as a BLE GAP Central device, allowing you to debug BLE applications such as those implemented using the CY8CKIT-042 Bluetooth Low Energy Pioneer Kit.

Detailed instructions for using the dongle with the CySmart tool are available as a part of the CySmart User Guide. Visit [www.cypress.com/CySmart](http://www.cypress.com/CySmart)

The CySmart USB Dongle is intended for development purposes only. Users are advised to test and evaluate this dongle in an RF development environment. This dongle is not a finished product and when assembled may not be resold or otherwise marketed unless all required authorizations are first obtained. Contact [support@cypress.com](mailto:support@cypress.com) for details.

For more information about this kit, visit [www.cypress.com/CY5677](http://www.cypress.com/CY5677)

