



Chipsmall Limited consists of a professional team with an average of over 10 year of expertise in the distribution of electronic components. Based in Hongkong, we have already established firm and mutual-benefit business relationships with customers from,Europe,America and south Asia,supplying obsolete and hard-to-find components to meet their specific needs.

With the principle of “Quality Parts,Customers Priority,Honest Operation,and Considerate Service”,our business mainly focus on the distribution of electronic components. Line cards we deal with include Microchip,ALPS,ROHM,Xilinx,Pulse,ON,Everlight and Freescale. Main products comprise IC,Modules,Potentiometer,IC Socket,Relay,Connector.Our parts cover such applications as commercial,industrial, and automotives areas.

We are looking forward to setting up business relationship with you and hope to provide you with the best service and solution. Let us make a better world for our industry!



Contact us

Tel: +86-755-8981 8866 Fax: +86-755-8427 6832

Email & Skype: info@chipsmall.com Web: www.chipsmall.com

Address: A1208, Overseas Decoration Building, #122 Zhenhua RD., Futian, Shenzhen, China





Features

- USB 2.0-certified, Full-Speed (12 Mbps)
 - Supports native Billboard Device class driver
 - Integrated USB termination resistors
- CY7C65210: Single channel I²C interface
 - Master up to 400 KHz
 - 190 bytes for each transmit and receive buffer
- CY7C65217: Dual channel UART/I²C interface
 - UART interface
 - Supports 2 pin
 - Data rates up to 115200 bps
 - 190 bytes for each transmit and receive buffer
 - Data format: 7 or 8 data bits, 1 or 2 stop bits
 - No parity, even, odd, mark, or space parity
 - Supports parity, overrun, and framing errors
 - Supports single channel RS232 and RS422 interface
 - I²C Interface
 - Master up to 400 KHz
 - 190 bytes for each transmit and receive buffer
- General-purpose input/output (GPIO) pins:
 - CY7C65210: 9
 - CY7C65217: 7
- 2560 bytes flash for storing configuration parameters
- Billboard Device class specific descriptors
- Driver support for Billboard Device
 - Billboard Device class is natively supported by Windows 10
- Clocking: Integrated 48-MHz clock oscillator
- Supports bus-/self-powered configurations
- USB Suspend mode for low power
- Operating voltage: 1.71 V to 5.5 V
- Operating temperature:
 - Commercial: 0 °C to 70 °C
 - Industrial: -40 °C to 85 °C
- ESD protection: 2.2-kV HBM
- RoHS-compliant package
 - 24-pin QFN (4.0 mm × 4.0 mm, 0.55 mm, 0.5 mm pitch)
- Ordering part number
 - CY7C65210-24LTXI
 - CY7C65217-24LTXI

Applications

Any Type-C Device Container that supports Alternate Mode requires Billboard Device support such as:

- Dongles for Type-C
- Docking Stations
- Monitors

Functional Description

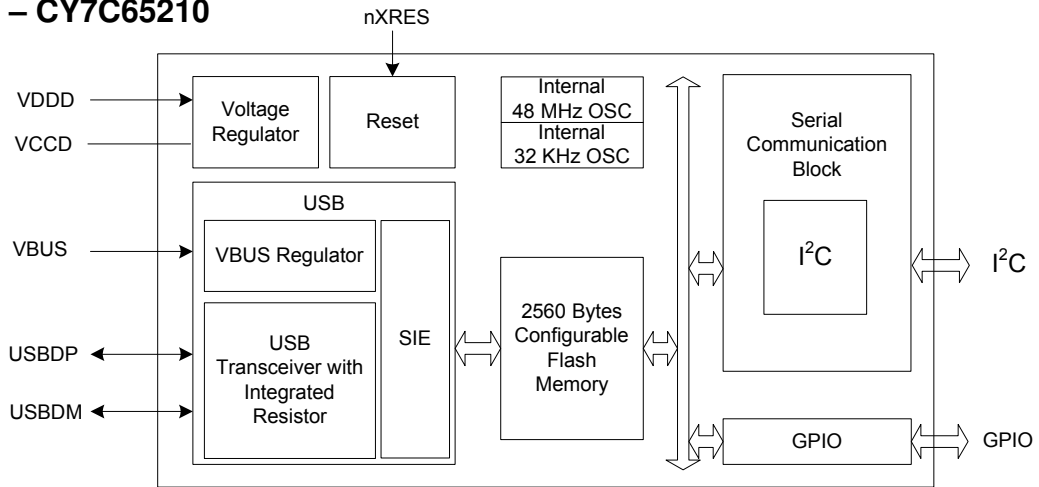
The CY7C6521x^[1] is a Full-Speed USB controller, which enumerates as Billboard Device. It integrates a voltage regulator, an oscillator, and flash memory for storing configuration parameters, offering a cost-effective solution. CY7C6521x supports bus-powered mode and enables efficient system power management with suspend and remote wake-up signals. It is available in a 24-pin QFN package.

For a complete list of related resources, click [here](#).

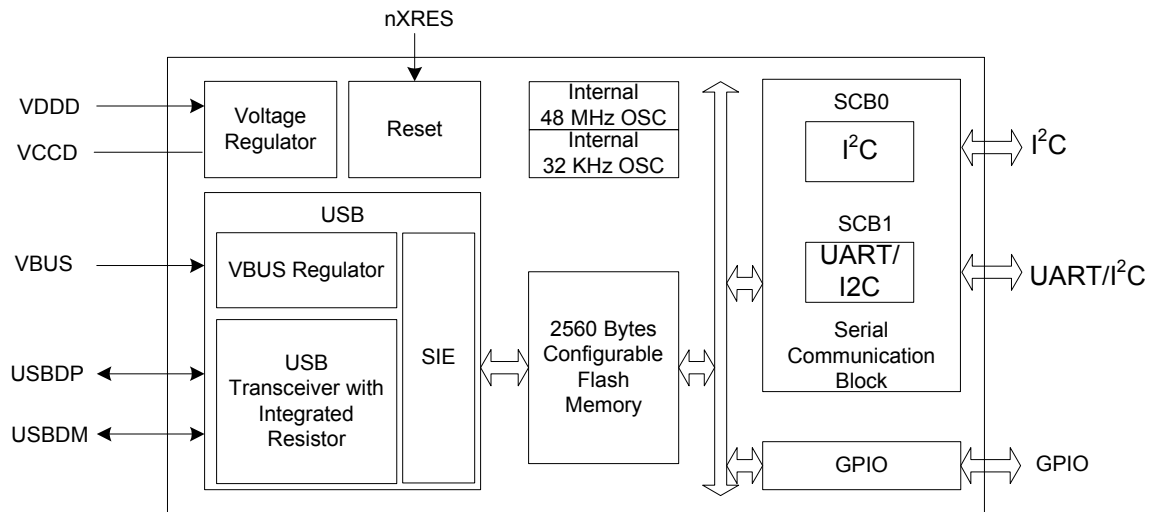
Note

1. CY7C6521x refers to both CY7C65210 and CY7C65217.

Block Diagram – CY7C65210



Block Diagram – CY7C65217



More Information

Cypress provides a wealth of data at www.cypress.com to help you to select the right device for your design, and to help you to quickly and effectively integrate the device into your design.

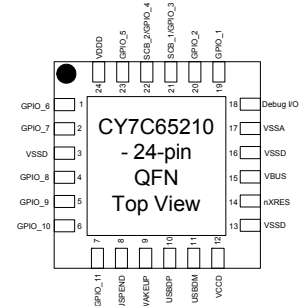
- Overview: [USB Portfolio](#), [USB Roadmap](#)
- USB 2.0 Product Selectors: [USB-Serial Bridge Controller](#), [USB to UART Controller \(Gen I\)](#), [enCoRe II](#), [enCoRe III](#), [enCoRe V](#)
- Code Examples: [USB Full-Speed](#)
- Models: [IBIS](#)

Contents

CY7C65210 Pin Description	5	Application Schematic	13
CY7C65217 Pin Description	6	Ordering Information	14
Functional Overview	7	Ordering Code Definitions	14
USB and Billboard Device functionality	7	Package Information	15
Serial Communication	7	Acronyms	16
UART Interface	7	Document Conventions	16
GPIO Interface	7	Units of Measure	16
Memory	7	Document History Page	17
System Resources	7	Sales, Solutions, and Legal Information	18
Suspend and Resume	7	Worldwide Sales and Design Support	18
WAKEUP	8	Products	18
Internal Flash Configuration	8	PSoC® Solutions	18
Electrical Specifications	10	Cypress Developer Community	18
Absolute Maximum Ratings	10	Technical Support	18
Operating Conditions	10		
Device-Level Specifications	10		
GPIO	11		
nXRES	12		
I2C Specifications	12		
Flash Memory Specifications	12		

CY7C65210 Pin Description

Pin ^[2]	Type	Name	Default	Description
1	GPIO	GPIO_6	Tristate	GPIO
2	GPIO	GPIO_7	Tristate	GPIO
3	Power	VSSD	–	Digital Ground
4	GPIO	GPIO_8	Tristate	GPIO
5	GPIO	GPIO_9	Tristate	GPIO
6	GPIO	GPIO_10	Tristate	GPIO
7	GPIO	GPIO_11	Power#	GPIO
8	Output	SUSPEND	–	Indicates device in suspend mode. Can be configured as active low/high using the configuration utility
9	Input	WAKEUP	–	Wakeup device from suspend mode. Can be configured as active low/high using the configuration utility
10	USBIO	USBDP	–	USB Data Signal Plus, integrates termination resistor and a 1.5-kΩ pull-up resistor
11	USBIO	USBDM	–	USB Data Signal Minus, integrates termination resistor
12	Power	VCCD	–	This pin should be decoupled to ground using a 1-μF capacitor or by connecting a 1.8-V supply
13	Power	VSSD	–	Digital Ground
14	nXRES	nXRES	–	Chip reset, active low. Can be left unconnected or have a pull-up resistor connected if not used
15	Power	VBUS	–	VBUS Supply, 3.15 V to 5.25 V
16	Power	VSSA	–	Digital Ground
17	Power	VSSA	–	Analog Ground
18	Input	Debug I/O	–	Used for debug purpose. Should be left floating.
19	GPIO	GPIO_1	Input	Can be used as wakeup source to wakeup device from Suspend mode.
20	GPIO	GPIO_2	Tristate	GPIO
21	SCB/GPIO	SCB_1/GPIO_3	SCL	I ² C SCL
22	SCB/GPIO	SCB_2/GPIO_4	SDA	I ² C SDA
23	GPIO	GPIO_5	Tristate	GPIO
24	Power	VDDD	–	Supply to the device core and Interface, 1.71 to 5.5 V



Note

2. Any pin acting as an Input pin should not be left unconnected.

CY7C65217 Pin Description

Pin ^[2]	Type	Name	Default	Description
1	GPIO	GPIO_6	Tristate	GPIO
2	GPIO	GPIO_7	Tristate	GPIO
3	Power	VSSD	–	Digital Ground
4	SCB/GPIO	SCB1_0/GPIO_8	RXD	UART RXD/I ² C SCL
5	SCB/GPIO	SCB1_1/GPIO_9	TXD	UART TXD/I ² C SDA
6	GPIO	GPIO_10	Tristate	GPIO
7	GPIO	GPIO_11	Power#	GPIO
8	Output	SUSPEND	–	Indicates device in suspend mode. Can be configured as active low/high using the configuration utility
9	Input	WAKEUP	–	Wakeup device from suspend mode. Can be configured as active low/high using the configuration utility
10	USBIO	USBDP	–	USB Data Signal Plus, integrates termination resistor and a 1.5-kΩ pull-up resistor
11	USBIO	USBDM	–	USB Data Signal Minus, integrates termination resistor
12	Power	VCCD	–	This pin should be decoupled to ground using a 1-μF capacitor or by connecting a 1.8-V supply
13	Power	VSSD	–	Digital Ground
14	nXRES	nXRES	–	Chip reset, active low. Can be left unconnected or have a pull-up resistor connected if not used
15	Power	VBUS	–	VBUS Supply, 3.15 V to 5.25 V
16	Power	VSSD	–	Digital Ground
17	Power	VSSA	–	Analog Ground
18	Input	Debug I/O	–	Used for debug purpose. Should be left floating.
19	GPIO	GPIO_1	Input	Can be used as wakeup source to wakeup device from Suspend mode.
20	GPIO	GPIO_2	Tristate	GPIO
21	SCB/GPIO	SCB0_1/GPIO_3	SCL	SCB0 I ² C SCL
22	SCB/GPIO	SCB0_2/GPIO_4	SDA	SCB0 I ² C SDA
23	GPIO	GPIO_5	Tristate	GPIO
24	Power	VDDD	–	Supply to the device core and Interface, 1.71 to 5.5 V

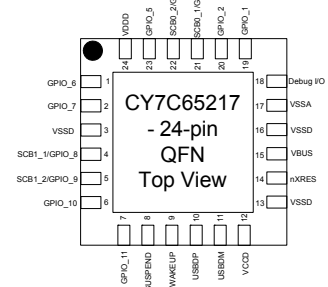


Table 1. GPIO Configuration

GPIO Configuration Option	Description
INPUT	Input GPIO
POWER#	This active low output signal is used to control power to an external logic through a switch to cut power off during an Unconfigured USB device and USB suspend. 0 - USB device in Configured state 1 - USB device in Unconfigured state or during USB suspend mode
TRISTATE	I/O Tristated (Open-Drain)
OUTPUT	Drive LOW or HIGH

Functional Overview

USB and Billboard Device functionality

USB

CY7C6521x has a built-in USB 2.0 Full-Speed transceiver. The transceiver incorporates the internal USB series termination resistors on the USB data lines and a 1.5-k Ω pull-up resistor on USBDP.

Billboard Device functionality

CY7C6521x is used to communicate the Alternate Modes supported by a Device Container to a USB host system. CY7C6521x sends this information through BOS descriptor and string descriptors in human readable format. CY7C6521x supports Billboard descriptor as part of complete BOS descriptor. For further details on the device class, refer to the [USB Billboard Device class specification, Rev. 1.1](#).

Serial Communication

CY7C65210 has one Serial Communication block (SCB) whereas CY7C65217 has two SCBs that implement either UART or I²C interface.

I²C Interface

The I²C interface implements full multi-master mode and supports up to 400 KHz. For further details on the protocol, refer to the NXP I²C specification, Rev. 5.

Notes

- I²C ports are not tolerant to higher voltages. Therefore, they cannot be hot-swapped or powered up independently when chip is not powered.
- The minimum fall time of the SCL is met (as per NXP I²C specification Rev5) when V_{DDD} is between 1.71 V and 3.0 V. When V_{DDD} is within the range of 3.0 V to 3.6 V, it is recommended to add a 50 pF capacitor on the SCL signal.

UART Interface

Only SCB1 interface of CY7C65217 can be configured as UART interface.

The 2-pin UART interface (RXD and TXD) provides asynchronous serial communication with other UART devices operating at speeds of up to 115200. It supports seven or eight data bits, one or two stop bits, odd, even, mark, space, and no parity. The UART interface supports full-duplex communication with a signaling format that is compatible with the standard UART protocol. The UART pins may be interfaced to industry-standard RS232/RS422 transceivers to manage different voltage levels. Common UART functions, such as parity error^[3] and frame error^[4], are supported. The UART parameters can be set using native APIs.

Note

3. Parity error gets detected when UART transmitter device is configured for odd parity and UART receiver device is configured for even parity.
4. Frame error gets detected when UART transmitter device is configured for 7 bits data width and 1 stop bit, whereas UART receiver device is configured for 8 bit data width and 2 stop bits.

GPIO Interface

CY7C65210 has nine configurable GPIOs whereas CY7C65217 has seven configurable GPIOs.

The configurable options are as follows:

- INPUT: Input GPIO
- POWER#: Power control
- TRISTATE: I/O tristated
- OUTPUT: Drive LOW or HIGH

Memory

CY7C6521x has a 2560 bytes configurable flash. Flash is used to store USB parameters, such as VID/PID, serial number, product and manufacturer descriptors, and Billboard Device class specific descriptors.

System Resources

Power System

CY7C6521x supports the USB Suspend mode to control power usage. CY7C6521x operates in bus-powered or self-powered modes over a range of 3.15 to 5.5 V.

Clock System

CY7C6521x has a fully integrated clock with no external components required. The clock system is responsible for providing clocks to all subsystems.

Internal 48-MHz Oscillator

The internal 48-MHz oscillator is the primary source of internal clocking in CY7C6521x.

Internal 32-KHz Oscillator

The internal 32-KHz oscillator is primarily used to generate clocks for peripheral operation in the USB Suspend mode.

Reset

The reset block provides reliable power-on reset and brings the device back to the default known state. The nXRES (active low) pin can be used by the external devices to reset the CY7C6521x.

Suspend and Resume

The CY7C6521x device asserts the SUSPEND pin when the USB bus enters the suspend state. This helps in meeting the stringent suspend current requirement of the USB 2.0 specification, while using the device in bus-powered mode. The device resumes from the suspend state under either of the two following conditions:

1. Any activity is detected on the USB bus
2. The WAKEUP pin is asserted to generate remote wakeup to the host

WAKEUP

The WAKEUP pin is used to generate the remote wakeup signal on the USB bus. The remote wakeup signal is sent only if the host enables this feature through the SET_FEATURE request. The device communicates support for the remote wakeup to the host through the configuration descriptor during the USB enumeration process.

Internal Flash Configuration

The internal flash memory can be used to store the configuration parameters provided in [Table 2](#).

Table 2. Internal Flash Configuration for CY7C65210

Parameter	Default Value	Description
USB Configuration		
USB Vendor ID (VID)	0x04B4	Default Cypress VID. Can be configured to customer VID.
USB Product ID (PID)	0x5210	Default Cypress PID. Can be configured to customer PID.
Manufacturer string	Cypress Semiconductor	Can be configured with any string up-to 126 characters ^[5] .
Product string	Billboard Device	Can be configured with any string up-to 126 characters ^[5] .
Serial string	0001	Can be configured with any string up-to 126 characters ^[5] .
Power mode	Bus powered	Can be configured to bus-powered or self-powered mode.
Max current draw	100 mA	Can be configured to any value from 0 to 500 mA. The configuration descriptor will be updated based on this.
Remote wakeup	Enabled	Can be disabled. Remote wakeup is initiated by asserting the WAKEUP or GPIO_1 pin.
bcdDevice	0x00	Can be configured with specific binary coded decimal number.
GPIO Configuration		
GPIO_1	Input	GPIO can be configured as shown in Table 1 on page 6 .
GPIO_2	Tristate	
GPIO_3	I ² C SCL	
GPIO_4	I ² C SDA	
GPIO_5	Tristate	
GPIO_6	Tristate	
GPIO_7	Tristate	
GPIO_8	Tristate	
GPIO_9	Tristate	
GPIO_10	Tristate	
GPIO_11	POWER#	
Billboard Device class Descriptor Configuration		
iAdditionalInfoURL	www.cypress.com/Type-C	Can be configured with any string up-to 126 characters ^[5] .
bNumberOfAlternateModes	0x01	Can be configured with any value from 0x01 to 0x08.
bPreferredAlternateMode	0x00	Can be configured with any value from 0x00 to 0x07.
VCONN Power	0x0000	Can be configured with any value from 0x0000 to 0x0006 or it can be configured with value 0x8000.
SVID	0xFF01	Can be configured to specific SVID.
bAlternateMode	0x01	Can be configured with any value from 0x01 to 0x08.
iAlternateModeString	Type-C to Display adapter. For further assistance, see http://help.vesa.org/dp-usb-type-c	Can be configured with any string up-to 126 characters ^[5] .

Note

5. Maximum available configuration space for all string descriptors is 1920 bytes. Each string descriptor can be configured up to 126 characters.

Table 3. Internal Flash Configuration for CY7C65217

Parameter	Default Value	Description
USB Configuration		
USB Vendor ID (VID)	0x04B4	Default Cypress VID. Can be configured to customer VID.
USB Product ID (PID)	0x5217	Default Cypress PID. Can be configured to customer PID.
Manufacturer string	Cypress Semiconductor	Can be configured with any string up-to 126 characters ^[6] .
Product string	Billboard Device	Can be configured with any string up-to 126 characters ^[6] .
Serial string	0001	Can be configured with any string up-to 126 characters ^[6] .
Power mode	Bus powered	Can be configured to bus-powered or self-powered mode.
Max current draw	100 mA	Can be configured to any value from 0 to 500 mA. The configuration descriptor will be updated based on this.
Remote wakeup	Enabled	Can be disabled. Remote wakeup is initiated by asserting the WAKEUP or GPIO_1 pin.
bcdDevice	0x00	Can be configured with specific binary coded decimal number.
GPIO Configuration		
GPIO_1	Input	GPIO can be configured as shown in Table 1 on page 6 .
GPIO_2	Tristate	
GPIO_3	SCB0 I ² C SCL	
GPIO_4	SCB0 I ² C SDA	
GPIO_5	Tristate	
GPIO_6	Tristate	
GPIO_7	Tristate	
GPIO_8	SCB1 UART RXD	
GPIO_9	SCB1 UART TXD	
GPIO_10	Tristate	
GPIO_11	POWER#	
Billboard Device class Descriptor Configuration		
iAdditionalInfoURL	www.cypress.com/Type-C	Can be configured with any string up-to 126 characters ^[6] .
bNumberOfAlternateModes	0x01	Can be configured with any value from 0x01 to 0x08.
bPreferredAlternateMode	0x00	Can be configured with any value from 0x00 to 0x07.
VCONN Power	0x0000	Can be configured with any value from 0x0000 to 0x0006 or it can be configured with value 0x8000.
SVID	0xFF01	Can be configured to specific SVID.
bAlternateMode	0x01	Can be configured with any value from 0x01 to 0x08.
iAlternateModeString	Type-C to Display adapter. For further assistance, see http://help.vesa.org/dp-usb-type-c	Can be configured with any string up-to 126 characters ^[6] .

Note

6. Maximum available configuration space for all string descriptors is 1920 bytes. Each string descriptor can be configured up to 126 characters.

Electrical Specifications

Absolute Maximum Ratings

Exceeding maximum ratings^[7] may shorten the useful life of the device.

Storage temperature -55 °C to +100 °C

Ambient temperature with power supplied (Industrial) -40 °C to +85 °C

Supply voltage to ground potential

V_{DDD} 6.0 V

V_{BUS} 6.0 V

V_{CCD} 1.95 V

V_{GPIO} V_{DDD} + 0.5 V

Static discharge voltage ESD protection levels:

■ 2.2-KV HBM per JESD22-A114

Latch-up current 140 mA

Current per GPIO 25 mA

Operating Conditions

T_A (ambient temperature under bias)

Commercial 0 °C to 70 °C

Industrial -40 °C to +85 °C

V_{BUS} supply voltage 3.15 V to 5.50 V

V_{DDD} supply voltage 1.71 V to 5.50 V

V_{CCD} supply voltage 1.71 V to 1.89 V

Device-Level Specifications

All specifications are valid for -40 °C ≤ T_A ≤ 85 °C, T_J ≤ 100 °C, and 1.71 V to 5.50 V, except where noted.

Table 4. DC Specifications

Parameter	Description	Min	Typ	Max	Units	Details/Conditions
V _{BUS}	V _{BUS} supply voltage	3.15	3.30	3.45	V	Set and configure the correct voltage range using a configuration utility for V _{BUS} . Default 5 V.
		4.35	5.00	5.5	V	
V _{DDD}	V _{DDD} supply voltage	1.71	1.80	1.89	V	Used to set I/O and core voltage. Set and configure the correct voltage range using a configuration utility for V _{DDD} . Default 3.3 V.
		2.0	3.3	5.5	V	
V _{CCD}	Output voltage (for core logic)	–	1.80	–	V	Do not use this supply to drive the external device. <ul style="list-style-type: none"> 1.71 V ≤ V_{DDD} ≤ 1.89 V: Short the V_{CCD} pin with the V_{DDD} pin V_{DDD} > 2 V – Connect a 1-μF capacitor (Cefc) between the V_{CCD} pin and ground
Cefc	External regulator voltage bypass	1.00	1.30	1.60	μF	X5R ceramic or better
I _{DD1}	Operating supply current	–	20	–	mA	USB 2.0 FS, UART at 1-Mbps single channel, no GPIO switching.
I _{DD2}	USB Suspend supply current	–	5	–	μA	Does not include current through a pull-up resistor on USBDP.

Note

7. Usage above the Absolute Maximum conditions may cause permanent damage to the device. Exposure to Absolute Maximum conditions for extended periods of time may affect device reliability. When used below Absolute Maximum conditions but above normal operating conditions, the device may not operate to specification.

Table 5. AC Specifications

Parameter	Description	Min	Typ	Max	Units	Details/Conditions
Fall Time_FS	FS USB Fall Time	–	7.815	–	ns	90% to 10% of full swing, 50pF load
Rise Time_FS	FS USB Rise Time	–	8.367	–	ns	10% to 90% of full swing, 50pF load
TRFM_FS	FS Rise/Fall Matching	–	107.024	–	%	–
VCRS_FS	FS Crossover Voltage	–	1.797	–	V	–
TDJ1	FS Driver Jitter (next)	–	–0.339	–	ns	–
TDJ2	FS Driver Jitter (paired)	–	–0.285	–	ns	–
TFDEOP	FS Differential to EOP Skew	–	–0.076	–	ns	–
F1	Frequency	47.04	48	48.96	MHz	Non-USB mode
F2		47.88	48	48.12	MHz	USB mode
Zout	USB driver output impedance	28	–	44	Ω	–
Twakeup	Wakeup from USB Suspend mode	–	25	–	μs	–

GPIO
Table 6. GPIO DC Specification

Parameter	Description	Min	Typ	Max	Units	Details/Conditions
V _{IH} ^[8]	Input voltage high threshold	0.7 × V _{DDD}	–	–	V	CMOS Input
V _{IL}	Input voltage low threshold	–	–	0.3 × V _{DDD}	V	CMOS Input
V _{IH} ^[8]	LVTTL input, V _{DDD} < 2.7 V	0.7 × V _{DDD}	–	–	V	–
V _{IL}	LVTTL input, V _{DDD} < 2.7V	–	–	0.3 × V _{DDD}	V	–
V _{IH} ^[8]	LVTTL input, V _{DDD} ≥ 2.7V	2	–	–	V	–
V _{IL}	LVTTL input, V _{DDD} ≥ 2.7V	–	–	0.8	V	–
V _{OH}	CMOS output voltage high level	V _{DDD} – 0.4	–	–	V	I _{OH} = 4 mA, V _{DDD} = 5 V +/- 10%
V _{OH}	CMOS output voltage high level	V _{DDD} – 0.6	–	–	V	I _{OH} = 4 mA, V _{DDD} = 3.3 V +/- 10%
V _{OH}	CMOS output voltage high level	V _{DDD} – 0.5	–	–	V	I _{OH} = 1 mA, V _{DDD} = 1.8 V +/- 5%
V _{OL}	CMOS output voltage low level	–	–	0.4	V	I _{OL} = 8 mA, V _{DDD} = 5 V +/- 10%
V _{OL}	CMOS output voltage low level	–	–	0.6	V	I _{OL} = 8 mA, V _{DDD} = 3.3 V +/- 10%
V _{OL}	CMOS output voltage low level	–	–	0.6	V	I _{OL} = 4 mA, V _{DDD} = 1.8 V +/- 5%
R _{pullup}	Pull-up resistor	3.5	5.6	8.5	kΩ	–
R _{pulldown}	Pull-down resistor	3.5	5.6	8.5	kΩ	–
I _{IL}	Input leakage current (absolute value)	–	–	2	nA	25 °C, V _{DDD} = 3.0 V
C _{IN}	Input capacitance	–	–	7	pF	–
V _{hysttl}	Input hysteresis LVTTL; V _{DDD} > 2.7 V	25	40	C	mV	–
V _{hyscmos}	Input hysteresis CMOS	0.05 × V _{DDD}	–	–	mV	–

Note

8. V_{IH} must not exceed V_{DDD} + 0.2 V.

Table 7. GPIO AC Specification

Parameter	Description	Min	Typ	Max	Units	Details/Conditions
T _{RiseFast1}	Rise Time in Fast mode	2	–	12	ns	V _{DDD} = 3.3 V/ 5.5 V, Load = 25 pF
T _{FallFast1}	Fall Time in Fast mode	2	–	12	ns	V _{DDD} = 3.3 V/ 5.5 V, Load = 25 pF
T _{RiseSlow1}	Rise Time in Slow mode	10	–	60	ns	V _{DDD} = 3.3 V/ 5.5 V, Load = 25 pF
T _{FallSlow1}	Fall Time in Slow mode	10	–	60	ns	V _{DDD} = 3.3 V/ 5.5 V, Load = 25 pF
T _{RiseFast2}	Rise Time in Fast mode	2	–	20	ns	V _{DDD} = 1.8 V, Load = 25 pF
T _{FallFast2}	Fall Time in Fast mode	20	–	100	ns	V _{DDD} = 1.8 V, Load = 25 pF
T _{RiseSlow2}	Rise Time in Slow mode	2	–	20	ns	V _{DDD} = 1.8 V, Load = 25 pF
T _{FallSlow2}	Fall Time in Slow mode	20	–	100	ns	V _{DDD} = 1.8 V, Load = 25 pF

nXRES
Table 8. nXRES DC Specifications

Parameter	Description	Min	Typ	Max	Units	Details/Conditions
V _{IH}	Input voltage high threshold	0.7 × V _{DDD}	–	–	V	–
V _{IL}	Input voltage low threshold	–	–	0.3 × V _{DDD}	V	–
R _{pullup}	Pull-up resistor	3.5	5.6	8.5	kΩ	–
C _{IN}	Input capacitance	–	5	–	pF	–
V _{hysxres}	Input voltage hysteresis	–	100	–	mV	–

Table 9. nXRES AC Specifications

Parameter	Description	Min	Typ	Max	Units	Details/Conditions
T _{resetwidth}	Reset pulse width	1	–	–	μs	–

Table 10. UART AC Specifications

Parameter	Description	Min	Typ	Max	Units	Details/Conditions
F _{UART}	UART bit rate	0.3	–	3000	kbps	Single SCB: TX + RX Dual SCB: TX or RX

I²C Specifications
Table 11. I²C AC Specifications

Parameter	Description	Min	Typ	Max	Units	Details/Conditions
F _{I2C}	I ² C frequency	1	–	400	KHz	–

Flash Memory Specifications
Table 12. Flash Memory Specifications

Parameter	Description	Min	Typ	Max	Units	Details/Conditions
F _{end}	Flash endurance	100K	–	–	cycles	–
F _{ret}	Flash retention. T _A ≤ 85 °C, 10 K program/erase cycles	10	–	–	years	–

Application Schematic

Figure 1 shows the application schematic for CY7C65210. Refer to the [CY7C65210 Pin Description on page 5](#) for signal details.

Figure 1. CY7C65210 Application Schematic

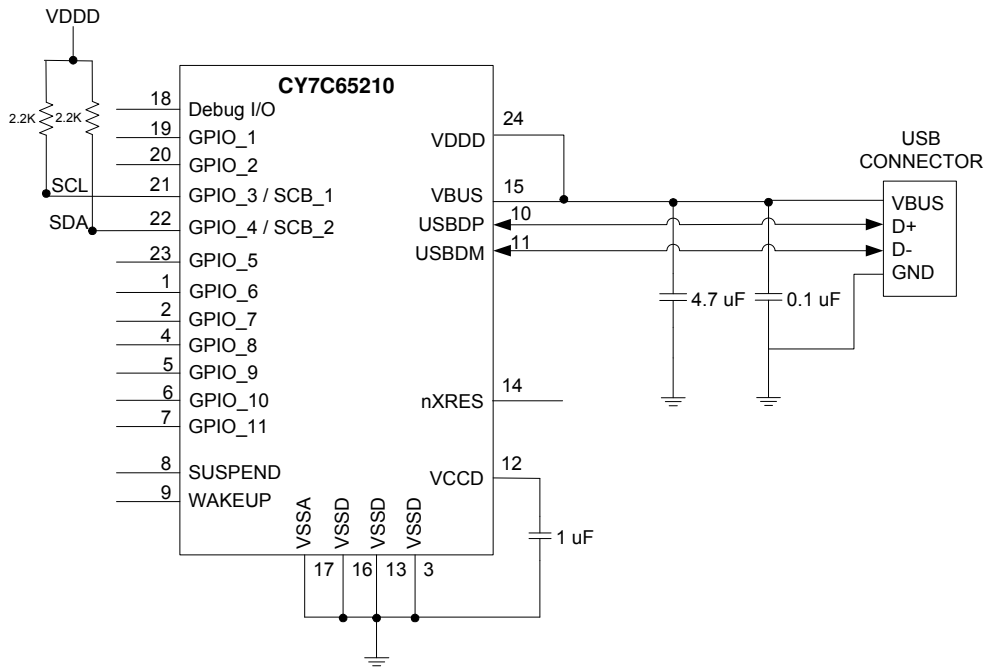
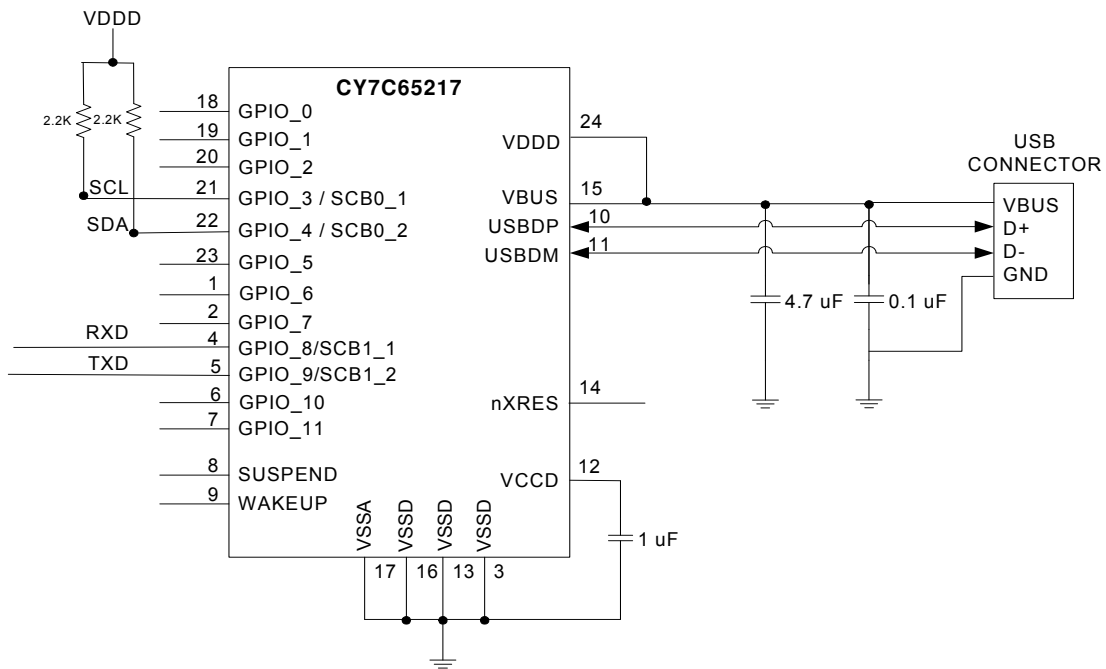


Figure 2 shows the application schematic for CY7C65217. Refer to the [CY7C65217 Pin Description on page 6](#) for signal details.

Figure 2. CY7C65217 Application Schematic



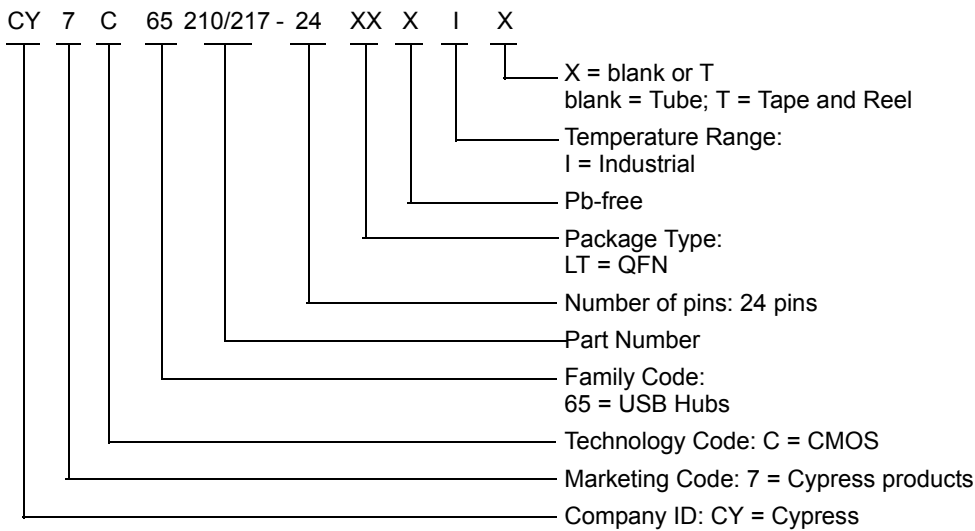
Ordering Information

Table 13 lists the key package features and ordering codes of the CY7C65210 and CY7C65217. For more information, contact your local sales representative.

Table 13. Key Features and Ordering Information

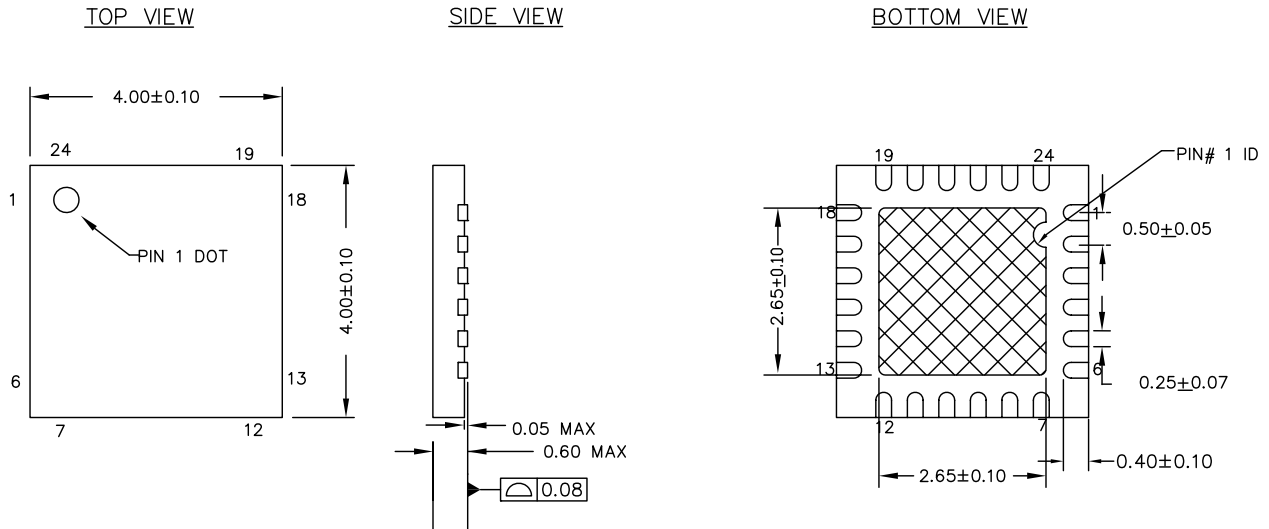
Package	Ordering Code	Operating Range
24-pin QFN (4.00 × 4.00 × 0.55 mm, 0.5 mm pitch) (Pb-free)	CY7C65210-24LTXI	Industrial
24-pin QFN (4.00 × 4.00 × 0.55 mm, 0.5 mm pitch) (Pb-free) – Tape and Reel	CY7C65210-24LTXIT	Industrial
24-pin QFN (4.00 × 4.00 × 0.55 mm, 0.5 mm pitch) (Pb-free)	CY7C65217-24LTXI	Industrial
24-pin QFN (4.00 × 4.00 × 0.55 mm, 0.5 mm pitch) (Pb-free) – Tape and Reel	CY7C65217-24LTXIT	Industrial

Ordering Code Definitions




Package Information

Figure 3. 24-pin QFN 4 mm × 4 mm × 0.55 mm LQ24A 2.65 × 2.65 EPAD (Sawn)



NOTES :

1.  HATCH IS SOLDERABLE EXPOSED METAL.
2. REFERENCE JEDEC # MO-248
3. PACKAGE WEIGHT : 29 ± 3 mg
4. ALL DIMENSIONS ARE IN MILLIMETERS

001-13937 *F

Table 14. Package Characteristics

Parameter	Description	Min	Typ	Max	Units
T _A	Operating ambient temperature	-40	25	85	°C
THJ	Package θ _{JA}	-	18.4	-	°C/W

Table 15. Solder Reflow Peak Temperature

Package	Maximum Peak Temperature	Maximum Time at Peak Temperature
24-pin QFN	260 °C	30 seconds

Table 16. Package Moisture Sensitivity Level (MSL), IPC/JEDEC J-STD-2

Package	MSL
24-pin QFN	MSL 3

Acronyms

Table 17. Acronyms Used in this Document

Acronym	Description
BOS	binary device object store
ESD	electrostatic discharge
GPIO	general purpose input/output
HBM	human-body model
I ² C	inter-integrated circuit
MCU	microcontroller unit
OSC	oscillator
PID	product identification
SCB	serial communication block
SCL	I ² C serial clock
SDA	I ² C serial data
SIE	serial interface engine
SVID	standard or vendor ID
UART	Universal Asynchronous Receiver/Transmitter
USB	Universal Serial Bus
VID	vendor identification

Document Conventions

Units of Measure

Table 18. Units of Measure

Symbol	Unit of Measure
°C	degree Celsius
DMIPS	Dhrystone million instructions per second
kΩ	kilo-ohm
KB	kilobyte
KHz	kilohertz
kV	kilovolt
Mbps	megabits per second
MHz	megahertz
mm	millimeter
V	volt

Document History Page

Document Title: CY7C65210, CY7C65217, USB Billboard Controller Document Number: 001-97082				
Revision	ECN	Orig. of Change	Submission Date	Description of Change
**	4715309	MVTA	04/10/2015	New datasheet.
*A	4839996	MVTA	07/22/2015	Updated Features , CY7C65210 Pin Description , GPIO Interface , and Memory . Updated Table 2 . Updated Figure 3 (spec 001-13937 *E to *F) in Package Information .
*B	4881560	MVTA	08/13/2015	Added a note in Functional Description . Added Block Diagram – CY7C65217 . Added CY7C65217 Pin Description . Added UART Interface . Added Figure 2 and Table 3 . Updated Features , Serial Communication , GPIO Interface , Ordering Information . Updated Table 2 and Table 17 . Updated CY7C65210 references to CY7C6521x.
*C	5310895	MVTA	06/16/2016	Removed support for Windows and Linux drivers in Features . Updated CY7C65217 Pin Description . Updated GPIO Configuration and Functional Overview . Updated GPIO_8 and GPIO_9 in Internal Flash Configuration for CY7C65217 . Added UART AC Specifications . Updated CY7C65217 Application Schematic .

Sales, Solutions, and Legal Information

Worldwide Sales and Design Support

Cypress maintains a worldwide network of offices, solution centers, manufacturer's representatives, and distributors. To find the office closest to you, visit us at [Cypress Locations](#).

Products

ARM® Cortex® Microcontrollers	cypress.com/arm
Automotive	cypress.com/automotive
Clocks & Buffers	cypress.com/clocks
Interface	cypress.com/interface
Lighting & Power Control	cypress.com/powerpsoc
Memory	cypress.com/memory
PSoC	cypress.com/psoc
Touch Sensing	cypress.com/touch
USB Controllers	cypress.com/usb
Wireless/RF	cypress.com/wireless

PSoC® Solutions

cypress.com/psoc
PSoC 1 | PSoC 3 | PSoC 4 | PSoC 5LP

Cypress Developer Community

[Community](#) | [Forums](#) | [Blogs](#) | [Video](#) | [Training](#)

Technical Support

cypress.com/support

© Cypress Semiconductor Corporation, 2015-2016. This document is the property of Cypress Semiconductor Corporation and its subsidiaries, including Spansion LLC ("Cypress"). This document, including any software or firmware included or referenced in this document ("Software"), is owned by Cypress under the intellectual property laws and treaties of the United States and other countries worldwide. Cypress reserves all rights under such laws and treaties and does not, except as specifically stated in this paragraph, grant any license under its patents, copyrights, trademarks, or other intellectual property rights. If the Software is not accompanied by a license agreement and you do not otherwise have a written agreement with Cypress governing the use of the Software, then Cypress hereby grants you under its copyright rights in the Software, a personal, non-exclusive, nontransferable license (without the right to sublicense) (a) for Software provided in source code form, to modify and reproduce the Software solely for use with Cypress hardware products, only internally within your organization, and (b) to distribute the Software in binary code form externally to end users (either directly or indirectly through resellers and distributors), solely for use on Cypress hardware product units. Cypress also grants you a personal, non-exclusive, nontransferable, license (without the right to sublicense) under those claims of Cypress's patents that are infringed by the Software (as provided by Cypress, unmodified) to make, use, distribute, and import the Software solely to the minimum extent that is necessary for you to exercise your rights under the copyright license granted in the previous sentence. Any other use, reproduction, modification, translation, or compilation of the Software is prohibited.

CYPRESS MAKES NO WARRANTY OF ANY KIND, EXPRESS OR IMPLIED, WITH REGARD TO THIS DOCUMENT OR ANY SOFTWARE, INCLUDING, BUT NOT LIMITED TO, THE IMPLIED WARRANTIES OF MERCHANTABILITY AND FITNESS FOR A PARTICULAR PURPOSE. Cypress reserves the right to make changes to this document without further notice. Cypress does not assume any liability arising out of the application or use of any product or circuit described in this document. Any information provided in this document, including any sample design information or programming code, is provided only for reference purposes. It is the responsibility of the user of this document to properly design, program, and test the functionality and safety of any application made of this information and any resulting product. Cypress products are not designed, intended, or authorized for use as critical components in systems designed or intended for the operation of weapons, weapons systems, nuclear installations, life-support devices or systems, other medical devices or systems (including resuscitation equipment and surgical implants), pollution control or hazardous substances management, or other uses where the failure of the device or system could cause personal injury, death, or property damage ("Unintended Uses"). A critical component is any component of a device or system whose failure to perform can be reasonably expected to cause the failure of the device or system, or to affect its safety or effectiveness. Cypress is not liable, in whole or in part, and Company shall and hereby does release Cypress from any claim, damage, or other liability arising from or related to all Unintended Uses of Cypress products. Company shall indemnify and hold Cypress harmless from and against all claims, costs, damages, and other liabilities, including claims for personal injury or death, arising from or related to any Unintended Uses of Cypress products.

Cypress, the Cypress logo, Spansion, the Spansion logo, and combinations thereof, PSoC, CapSense, EZ-USB, F-RAM, and Traveo are trademarks or registered trademarks of Cypress in the United States and other countries. For a more complete list of Cypress trademarks, visit cypress.com. Other names and brands may be claimed as property of their respective owners.