



Chipsmall Limited consists of a professional team with an average of over 10 year of expertise in the distribution of electronic components. Based in Hongkong, we have already established firm and mutual-benefit business relationships with customers from,Europe,America and south Asia,supplying obsolete and hard-to-find components to meet their specific needs.

With the principle of "Quality Parts,Customers Priority,Honest Operation,and Considerate Service",our business mainly focus on the distribution of electronic components. Line cards we deal with include Microchip,ALPS,ROHM,Xilinx,Pulse,ON,Everlight and Freescale. Main products comprise IC,Modules,Potentiometer,IC Socket,Relay,Connector.Our parts cover such applications as commercial,industrial, and automotives areas.

We are looking forward to setting up business relationship with you and hope to provide you with the best service and solution. Let us make a better world for our industry!



Contact us

Tel: +86-755-8981 8866 Fax: +86-755-8427 6832

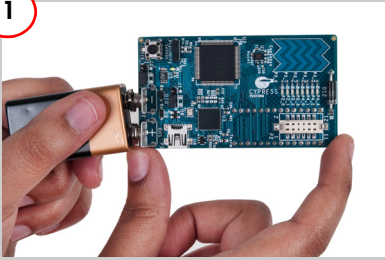
Email & Skype: info@chipsmall.com Web: www.chipsmall.com

Address: A1208, Overseas Decoration Building, #122 Zhenhua RD., Futian, Shenzhen, China



Out of Box Demo: PSoC Rocks!

1



Connect the 9-V battery to the board.

2



Wave the kit and view the message, as shown.

3



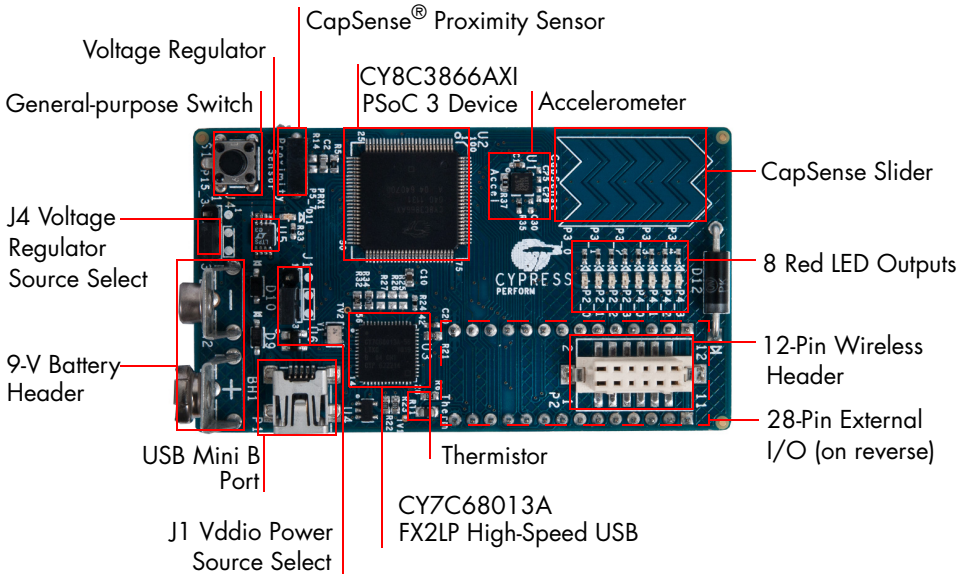
Insert the kit CD and run the CD's autorun utility.

4



Open the guide and install software.

PSoC[®] 3 FIRSTTOUCH[™] STARTER KIT QUICK START GUIDE



Kit Revision

To know if you are using the latest kit, look for the kit revision in the white sticker at the bottom left on the back of the kit box. If the revision reads CY8CKIT-003B REV. **, then you own the latest version. You can also check the silicon marketing part number on the board; the part number should be CY8C3866AXI-040. This kit is equipped with production PSoC 3 silicon.

For the latest information about this kit, visit
<http://www.cypress.com/go/CY8CKIT-003>

